

# LAS POSITAS COLLEGE

SUMMER/FALL 2020  
CLASS SCHEDULE

Invest in  
*you*



**4 of 5 students**  
would encourage others to  
attend Las Positas College



**Over 43% of Las Positas  
students** are eligible for financial  
assistance to attend college



**Students are guaranteed  
transfer admission**  
to over 30 universities



# MESSAGE FROM LAS POSITAS COLLEGE

Dear Students,

Welcome to Las Positas College! We are excited that you have decided to join us for Summer/Fall 2020 as you pursue your educational and career aspirations. The caring and dedicated faculty, staff, and administrators at LPC are committed to supporting you in achieving your educational goals. As you will discover, LPC prides itself on academic excellence, student success, and student completion. We have outstanding student support services, academic resources, and excellent opportunities for you to be involved in co-curricular programs and activities.

Whether you plan to enroll in day, evening, weekend or online courses, you will find that Las Positas College will prepare you well for transfer to a four-year college or university, or for entering the workforce in your chosen career.

The most important thing for you to know is that you are not alone on your educational journey; we are here to assist and support you, from your first semester all the way through graduation! I encourage you to make the most of your LPC experience and take advantage of the many student resources and opportunities that are available to you. Enjoy your journey and I look forward to seeing you on campus!

Sincerely,  
Dr. Dyrell Foster  
*Las Positas College President*



## SEE YOU SOON!



### BOARD OF TRUSTEES

Edralin J. "Ed" Maduli, President  
Genevieve Randolph, Secretary  
Hal G. Gin, Ed.D.  
Linda Granger

Maria L. Heredia  
Marshall Mitzman, Ph.D.  
Tim Sbranti

### PRESIDENT

Dr. Dyrell Foster, President, Las Positas College  
Susan Sperling, Ph.D., President, Chabot College

### CHANCELLOR

Ronald P. Gerhard, Interim Chancellor



**CHABOT  
LAS POSITAS**  
COMMUNITY COLLEGE DISTRICT



**MISSION STATEMENT**

Las Positas College provides an inclusive, learning-centered, equity-focused environment that offers educational opportunities and support for completion of students' transfer, degree, and career-technical goals while promoting life-long learning.

**VISION STATEMENT**

Las Positas College strives to support and empower students to develop the knowledge, skills, values, and abilities needed to become engaged participants and leaders in their local and global communities.

**VALUES STATEMENT**

Las Positas College thrives as a collaborative teaching and learning community committed to integrity and excellence by:

1. Encouraging and celebrating lifelong learning
2. Responding to the needs of the ever-changing workplace and society
3. Demonstrating civic, social and environmental responsibility
4. Promoting ethical behavior, mutual trust, equity, and respect within our diverse community
5. Fostering a climate of discovery, creativity, personal development, and physical and mental health
6. Ensuring that Las Positas is a sanctuary campus for undocumented students
7. Holding firm to the belief that each of us makes an astonishing difference.

**ACCREDITATION**

Las Positas College is accredited by the Accrediting Commission for Community and Junior Colleges of the Western Association of Schools and Colleges.

# TABLE OF CONTENTS

Mission, Vision and Values .....	1	Alternate Schedule Courses.....	112-115
Summer/Fall 2020 Semester Calender....	2	Fast Track Courses .....	112
Registration Dates.....	3	Late Start Courses .....	113
Steps to Success.....	4	Weekend Courses.....	115
Admission Information .....	5-6	Varying Start Dates .....	115
Course Registration Procedures.....	7	NonCredit Courses .....	115-117
ZoneMail / Stay Connected .....	8	Fees and Payment Policy .....	118-119
Enrollment Policies and Procedures ..	9-10	Financial Aid .....	120
Forwarding Your Zonemail.....	10	Academic and Student Support	
Orientation, Assessment and		Services.....	121-123
Educational Plan.....	11	College Policies and Procedures..	124-126
Degree, Certificate and Transfer		Campus Safety and Security ..	127-129
Programs .....	12-13	Parking Permits .....	130
<b>Summer 2020 Courses .....</b>	<b>14-37</b>	Emergency Alert System.....	130
A Quick Look @ Summer .....	15-20	Bookstore Information.....	131
Summer Course Listings.....	21-37	Transit (Bus) Pass Information .....	131
<b>Fall 2020 Courses .....</b>	<b>38-107</b>	Campus Directory .....	132
How to Read the Course Listings .....	39	Off-Campus Instructional Sites....	132
Fall Course Listings.....	40-105	Campus Map.....	133
New - Math Pathways .....	106-107	Final Exam Schedule.....	134-135
Online Learning .....	108-112	Use Your Zonemail .....	136
Online Courses .....	109		
Hybrid Courses .....	111		

## Statement Concerning COVID-19 Pandemic

In response to the evolving challenges of the COVID-19 pandemic, the safety of our communities and the success of our students remain our top priorities. At the time of this printing, many of the published policies, established in accordance with board policy and/or college governance, have been temporarily adjusted. During the 2020-2021 academic year, be sure to ask about the latest developments or check the class schedule, available online.

Courses, dates, and times are subject to change without notice. Refer to the college website for the most current course information.



# ACADEMIC CALENDAR

## REGISTRATION DATES FOR SUMMER & FALL 2020

April 15 .....	STATE MANDATED - EOPS/CARE, DSPS, Foster Youth, CalWORKs, Homeless, and Veterans begins
April 17 .....	COLLEGE PRIORITY - Student Athletes and Student Government Officers begins
April 20.....	Continuing students with <u>3 Core Services completed</u> begins
April 27.....	New students with <u>3 Core Services completed</u> begins
April 28.....	Returning students with <u>3 Core Services completed</u> begins
April 29.....	Continuing students who <b>have not</b> completed the <u>3 Core Services</u> begins
May 4 .....	Students on probation, dismissed status, or those who have completed 100 or more degree applicable units at LPC or Chabot College
May 4 .....	OPEN REGISTRATION for Summer and Fall
May 5 .....	Special Admit/Concurrent high school students for Summer and Fall

*For more detailed information on priority groups and registration, see page 3.*

### Concurrent Enrollment Application Deadline

Summer and Fall 2020.....Concurrent Enrollment Application due by April 17

## SUMMER 2020 SESSIONS

June 1 - July 2 .....	1 <sup>st</sup> 5-week session
June 15 - Aug 6 .....	8-week session
June 22 - July 30 .....	6-week session
July 6 - Aug 6 .....	2 <sup>nd</sup> 5-week session
July 4.....	Holiday –Independence Day Observance (college closed)
July 23.....	Deadline to file for an Associate Degree and/or Certificate of Achievement
August 6 .....	Last day of Summer session
August 10.....	Instructors: Summer grades due by 11pm via CLASS-Web
Week of Aug 17, 2020.....	Students: Summer 2020 grades available via CLASS-Web

## FALL 2020 SEMESTER CALENDAR (DATES APPLY TO FULL-TERM CLASSES)

August 13.....	Convocation Day
August 14.....	College Day
<b>August 17 .....</b>	<b>Fall semester begins (full-term classes only)</b>
August 17 - September 7 .....	Late enrollment for full-term classes – on a space available basis. Register online through CLASS-Web or in-person with add authorization number
August 17 .....	Associate Degree and/or Certificate of Achievement filing period begins through October 23
August 22.....	Instruction begins for Saturday classes
September 4 .....	Last day to ADD/DROP with No Grade-of-Record (NGR) - <b>In-Person</b> (full-term classes only)
September 5-6.....	College closed – no Saturday/Sunday classes
September 7 .....	Last day to ADD/DROP with No Grade-of-Records (NGR) - <b>Online</b> via CLASS-Web (full-term classes only)
September 7 .....	Holiday – Labor Day (college closed)
September 8 .....	CENSUS date (full-term classes only)
September 25.....	Last day to request Pass/No Pass (full-term classes only)
October 23 .....	Deadline to apply for an Associate Degree and/or Certificate of Achievement
November 6 .....	Last day to WITHDRAW with a “W” - <b>In-Person</b> (full-term classes only)
November 7 .....	Saturday classes meet
November 8 .....	Last day to WITHDRAW with a “W” - <b>Online</b> via CLASS-Web (full-term classes only)
November 13.....	Holiday – Veterans Day (college closed)
November 25-28 .....	Holiday – Thanksgiving Recess (college closed) (no Saturday/ Sunday classes)
December 5 .....	Last day of Saturday classes
December 11 .....	Last day of Instruction
December 12 .....	Final Exams for Saturday classes
December 14-18.....	Final Examination Period
December 21 - January 1, 2021 .....	Holiday – Winter Recess – No Instruction
January 4, 2021 .....	Instructors: Fall grades due by 11pm via CLASS-Web
Week of January 11, 2021 .....	Students: Fall 2020 grades available via CLASS-Web

### FALL 2020 DROP FOR NON-PAYMENT DEADLINE

#### Must Pay by

Students who register for Fall classes between April 15 - May 29.....	June 10
Students who register for Fall classes between May 30 - July 9.....	July 22

**Drop for non-payment will be processed on June 11 and July 23.**



# REGISTRATION DATES - SUMMER/FALL 2020

Your registration priority group and registration date are determined by the completion of the Three Core Services (Orientation, Assessment, and Student Educational Plan), the number of units completed and in-progress at Chabot-Las Positas Community College District, and maintaining good academic standing.

*The registration date shown below is the first day that a student is eligible to register for classes based on their priority group. Students may continue to register for classes any day after their priority registration date.*

STUDENT STATUS	CRITERIA FOR GROUP	REG DATE
<b>CalWORKs</b> <b>DSPS</b> <b>EOPS/CARE</b> <b>Foster Youth</b> <b>Veterans</b> <b>Homeless</b>	<b>STATE MANDATED PRIORITY GROUPS</b> <ul style="list-style-type: none"> <li>• Must complete all 3 Core Services</li> <li>• Must be in good academic and progress standing</li> <li>• Must have less than 100 degree applicable units</li> </ul>	<b>April 15</b>
<b>Student Athletes</b> <b>Student Government Officers</b>	<b>COLLEGE PRIORITY GROUPS</b> The only students in this priority group are noted in the left column. <ul style="list-style-type: none"> <li>• Must complete all 3 Core Services</li> <li>• Must be in good academic and progress standing</li> <li>• Must have less than 100 degree applicable units</li> </ul>	<b>April 17</b>
<b>Continuing Students</b> who <b>COMPLETED</b> all 3 Core Services	<b>CONTINUING STUDENT REGISTRATION SCHEDULE</b> Priority registration date is based on the following: <ul style="list-style-type: none"> <li>• Completion of all 3 Core Services</li> <li>• Good academic and progress standing</li> <li>• Must have less than 100 degree applicable units</li> <li>• <b>And total units</b> completed (including in-progress units)                             <ul style="list-style-type: none"> <li>• 60 - 99.9 units will register on April 20, 2020</li> <li>• 45 - 59.9 units will register on April 21, 2020</li> <li>• 30 - 44.9 units will register on April 22, 2020</li> <li>• 15 - 29.9 units will register on April 23, 2020</li> <li>• 0.5 - 14.9 units will register on April 24, 2020</li> </ul> </li> </ul>	<b>April 20-24</b>
<b>New Students</b>	<b>NEW STUDENTS</b> eligible for this registration date are: <ul style="list-style-type: none"> <li>• Students who have completed all 3 Core Services</li> <li>• Students enrolled in less than 0.5 units</li> </ul>	<b>April 27</b>
<b>Returning Students</b>	<b>RETURNING STUDENTS</b> are eligible for this registration date if they: <ul style="list-style-type: none"> <li>• Completed all 3 Core Services</li> <li>• Are in good academic and progress standing</li> <li>• Have less than 100 degree applicable units</li> </ul>	<b>April 28</b>
<b>Continuing Students</b> who <b>HAVE NOT</b> completed all 3 Core Services	<b>CONTINUING STUDENTS</b> are eligible for this registration date if they: <ul style="list-style-type: none"> <li>• <b>Have not</b> completed all 3 Core Services</li> <li>• Are in good academic and progress standing</li> <li>• Have less than 100 degree applicable units                             <ul style="list-style-type: none"> <li>• CalWORKs, DSPS, EOPS/CARE, &amp; Veterans will register on April 29, 2020</li> <li>• Student Athletes and Student Government Officers will register on April 29, 2020</li> <li>• 15 -99.9 units will register on April 30, 2020</li> <li>• 0.5-14.9 units will register on May 1, 2020</li> </ul> </li> </ul>	<b>April 29 - May 3</b>
<b>Students on Probation/Dismissal</b>  <b>Excessive Units</b>	<ul style="list-style-type: none"> <li>• Students who have been on Academic and/or Progress Probation for two consecutive semesters and/or have been placed on Academic and/or Progress Dismissal</li> <li>• Students with over 100 degree-applicable units</li> </ul>	<b>May 4</b>
<b>OPEN REGISTRATION</b> All Students (except High School Concurrent Enrollment Students)	Open Registration begins for students: <ul style="list-style-type: none"> <li>• Who <b>have not</b> completed all 3 Core Services</li> <li>• Admitted to the College after all groups have registered</li> </ul>	<b>May 4</b>
<b>Concurrent Enrollment</b>	Concurrent Enrollment Registration Begins High School students (10 <sup>th</sup> , 11 <sup>th</sup> , & 12 <sup>th</sup> grade) applying for Summer and/or Fall 2020	<b>May 5</b>

# YOUR SIX STEPS TO SUCCESS



STEP 01

Apply For Admission.



STEP 02

Apply For Financial Assistance.



STEP 03

Complete An Online Orientation.



STEP 04

Complete Assessment.



STEP 05

Complete Your Student Education Plan.



STEP 06

Register For Classes.  
Pay Fees!



# ADMISSION INFORMATION

## WHO MAY ATTEND LAS POSITAS COLLEGE

Admission is open to anyone who is:

- 18 years of age or older; or
- A high school graduate or completed a high school equivalency test, General Education Degree (GED) or California High School Proficiency Exam;
- A high school student currently enrolled in 10<sup>th</sup>, 11<sup>th</sup> or 12<sup>th</sup> grade may participate in the Concurrent Enrollment Program.

## HOW TO APPLY FOR ADMISSION

Apply online at [www.laspositascollege.edu](http://www.laspositascollege.edu)

You will be asked to create an account on CCCApply before being directed to the application. After the application has been received, you will be sent an email confirmation with additional information. You will also receive a student identification number (which begins with a "W"). Use this number to conduct all college business and access college services. You may also log into CLASS-Web to obtain your "W" student identification number.

## COMMUNICATION VIA ZONEMAIL ACCOUNT

All admitted students are given a student email account through The ZONE web portal. All messages from the College are sent to this account. Registration dates will be emailed to your ZONEmail account. As you complete your 3 Core Services, you may be eligible for an earlier registration date than previously assigned. Please check your ZONEmail regularly for important notices from the College.

- Go to [www.laspositascollege.edu](http://www.laspositascollege.edu)
- Click on "The ZONE"
- User ID: use your W number  
PIN: Same six-digit pin used for CLASS-Web
- Log in and click "What is my college/district email address?" link under "Quick Check"
- Click the Email icon and log in with the email as your username, and password (same six-digit pin used for The ZONE and CLASS-Web)

Instructions on how to forward your ZONEmail to your personal email are located on page 1. In addition to registration date notifications, students will also receive waitlist information, instructor emails, Financial Aid notifications, and general College information.

ENROLLMENT STATUS BASED ON UNIT LOAD	
Full-time student	Registered for 12 or more units
Three-quarter student	Registered for 9.0 to 11.5 units
Half-time student	Registered for 6.0 to 8.5 units
Less than half-time student	Registered for 0.5 to 5.5 units
Noncredit only student	Registered for 0.0 units

## STUDENT DEFINITIONS

NEW STUDENT	You are a new student if you have never registered in classes at LPC. Apply online.
RETURNING (FORMER) STUDENT	You are a returning student if you have <u>not</u> attended LPC during the past two semesters. Reapply online.
CONTINUING STUDENT	You are a continuing student if you have attended LPC during at least one of the two most recent semesters. Do not reapply.
CONCURRENT ENROLLMENT STUDENT	You are currently a high school student enrolled in grade 10, 11, or 12. An admission application and supplemental paperwork is required for each semester/term of attendance.

## RESIDENCY

For purposes of determining enrollment fees, students are identified as either residents or nonresidents.

### Residents:

Those who have lived in California as legal residents for at least one year and one day prior to the first day of a new semester/term and who can demonstrate intent to remain a California resident. Noncitizens who meet residency requirements and who desire to enroll as a California resident must provide documentation.

### Nonresidents:

Those who do not meet the California resident requirements. In addition to the enrollment fee, nonresident students are required to pay nonresident tuition. For further information concerning residence status, please contact the Admissions and Records Office.

## NONRESIDENT TUITION EXEMPTION (VACA)

Military veterans may be eligible for a tuition exemption based on VACA (Veterans Access, Choice and Accountability Act) criteria. Veterans who qualify for Chapter 30 or Chapter 33 GI Bill, who live in California and enroll within 3 years of discharge from active duty service of 90 days or more may be eligible for exemption of payment of nonresident tuition. For additional information, please contact the Veterans First Program.

## NONRESIDENT TUITION EXEMPTION (AB540)

A California Nonresident Tuition Exemption may be granted to certain nonresident students who meet the exemption requirements set forth in Assembly Bill 540. To be eligible, students must have attended high school in California for three or more years, or attainment of credits earned in California from a California high school equivalent to three or more years of full-time high school coursework and a total of three or more years of attendance in California elementary schools, California secondary schools, adult schools, or a combination of those schools. In addition, students must have graduated or will graduate from a California high school or obtained a certificate or General Education Development (GED), High School Equivalency Test (HiSET), or Test Assessing Secondary Completion (TASC), or attainment of an AA degree from a California Community College, or fulfillment of the minimum requirements to transfer to a UC or CSU. Students must also

# ADMISSION INFORMATION

complete an affidavit to legalize immigration status as soon as possible, if applicable. For additional information contact the Admissions and Records Office.

## **NONRESIDENT TUITION EXEMPTION (REFUGEES AND SPECIAL IMMIGRANT VISA HOLDERS)**

In 2017, the California Legislature enacted Assembly Bill 343, which established a new exemption from nonresident tuition for refugees with special immigrant visas (SIVs). For additional information, contact the Admissions and Records Office.

## **NONRESIDENT TUITION EXEMPTION (CH 31 – VOCATIONAL REHABILITATION AND EMPLOYMENT)**

Out-of-state student Veterans under chapter 31, Vocational Rehabilitation and Employment (VR&E), will be charged the resident rate, effective after Spring 2019 semester.

## **NONRESIDENT TUITION EXEMPTION (CONCURRENT ENROLLMENT)**

Concurrently enrolled students (high school students enrolled in college classes) who are classified as nonresident students for tuition purposes may be eligible for the Senate Bill 2364 waiver of nonresident tuition while still in high school.

Students must be special admit part-time (enrolled in 11 units or less) students who currently reside in California and are attending high school in California. Students wishing to take advantage of this exemption should complete a nonresident exemption form and attach a copy of high school transcripts showing current enrollment. Documentation should be submitted to the Admissions and Records Office.

## **INTERNATIONAL STUDENTS**

Las Positas College is authorized under federal law to enroll nonimmigrant alien students (F-1 and M-1 visa). Students seeking admission to Las Positas College must complete an international student supplemental application packet and submit academic transcripts or certificates, TOEFL or IELTS exam results and evidence of financial support and health examinations. Information on specific language proficiency requirements and amount of adequate financial support may be found on the college website. Las Positas College will make every effort to advise prospective international students of their admission status as soon as possible after receiving the required documents. International students are encouraged to apply as far in advance of the desired entry date as possible to allow sufficient time for application processing and other arrangements. Contact the International Student Program for more information.

## **MIDDLE COLLEGE**

Middle College is an alternative education collaboration between Las Positas College and the Tri-Valley Regional Occupational Program. Middle College provides high school students from Dublin, Livermore, and Pleasanton an opportunity to begin taking college courses while still enrolled in high school. Juniors and Seniors take classes at Las Positas College (up to 11 units per semester) and their enrollment fees are waived. Middle College is an excellent opportunity for high school students to complete curriculum required for high school graduation, get

started on their college education, and begin to prepare for the workforce. Additional information is found on the college website. An application process for Middle College is open to students in the three Tri-Valley ROP districts: Dublin Unified School District, Livermore Valley Joint Unified School District, and Pleasanton Unified School District. The application process opens mid-January for the following school year.

## **CONCURRENT ENROLLMENT PROGRAM**

Las Positas College provides opportunities for students in 10<sup>th</sup>, 11<sup>th</sup>, and 12<sup>th</sup> grades to enroll in college-level, degree-applicable courses.

### **ELIGIBILITY**

1. Must be recommended by their high school principal.
2. Must have written parental permission.

*NOTE: Concurrent Enrollment students are not allowed to enroll in Kinesiology (P.E.) and basic skills courses (English, all ESL courses, Math) (Ed. Code 48800).*

### **CONCURRENT ENROLLMENT ADMISSION CHECKLIST**

1. Complete an Admission Application at [www.laspositascollege.edu/admissions](http://www.laspositascollege.edu/admissions)
2. Attach a current official high school transcript. If applicable include Advanced Placement (AP) scores, and/or an R4 Affidavit for home schooled students.
3. Fill out the Concurrent Enrollment Recommendation Form.
4. Bring the completed packet to the Admissions and Records Office by the established deadline.

To take advantage of the **SUMMER/FALL 2020**  
Concurrent Enrollment registration date  
on **May 5**, students must have all required  
documents submitted by **April 17\***.

*\*Applications submitted after April 17<sup>th</sup> will be assigned a registration date when your packet is processed. When you receive the confirmation email from Admissions & Records, check CLASS-Web for your registration date.*

*NOTE: Concurrently enrolled students will be permitted to enroll in a maximum of 11 units per semester (Fall and Spring), and a maximum of 6 units for Summer. Students will be treated as regular college students and are expected to comply with all college rules and regulations.*

Documentation received after the established deadline is not guaranteed to be accepted for enrollment. Once your packet is processed, an email will be sent with registration information. All students are strongly advised to complete assessments. Students must complete the required concurrent enrollment materials each semester or term and must have a high school grade point average (GPA) of 2.0 or higher.

### **FEES**

Enrollment fees are waived for students in the Concurrent Enrollment Program. However, the Student Rep Fee (\$2.00), the Health Services Fee (\$21 for Fall and Spring, \$18 for Summer), and the Transportation fee (\$8 or \$9 for Fall and Spring) are mandatory. International, nonresident, and out-of-state students will be assessed tuition of \$290 + \$46 = \$336 per unit. Materials fees apply to some classes.



# COURSE REGISTRATION PROCEDURES

## ADDING CLASSES

1. Go to [www.laspositascollege.edu](http://www.laspositascollege.edu)
2. Login to CLASS-Web
3. Select the Student Services tab
4. Click the Registration link
5. Click the Add/Drop or Withdraw from Classes link
6. Select the term and click the Submit button
7. Enter the course registration number (CRN)
8. Click the Submit Changes button

## WAITLIST

Students may reserve a space on the waitlist for courses that are closed due to reaching their maximum enrollment limit. During registration, students will be automatically prompted to sign up for the waitlist if the class is closed.

Students cannot add themselves to the waitlist if one of the following conditions exist:

- a. Course prerequisites/corequisites not met;
- b. Registration holds;
- c. Waitlist class overlaps in time with classes already registered for;
- d. Already on a waitlist for the same class. (However, students may add themselves to waitlists for different classes); or
- e. Adding to the waitlist exceeds the maximum unit load of 18 units.

## WAITLIST NOTIFICATIONS

All notifications for waitlist will be emailed to the student's Zonemail account. If a seat becomes available for a course, the student at the top of the waitlist receives a notification email to register for that class within 72 hours. If the student does not take action before the stated expiration date and time, the student loses their spot to the next student on the waitlist and is removed from the waitlist.

## ADD AUTHORIZATION NUMBERS

The Add Authorization Number reserves your seat in the class and it is only valid for a short period of time, so DON'T DELAY your registration. If you miss the course add deadline, you will need to contact your instructor and ask to be added. Your instructor will then submit a late add request online directly to the Admissions and Records office.

Students who are on the waitlist and wish to add should attend the first day of class. Instructors will issue add authorization numbers to students in the order that they appear on the waitlist. After waitlist students have been accommodated, the instructor may add any remaining students by priority number.

Students who have received an add authorization number from the instructor may then enter the 4 digit add code via CLASS-Web or The Zone. The student must add the class by the add deadline (see Academic Calendar).

## HOW COURSE "ADD" PRIORITY IS DETERMINED

Only the last four digits of the priority number are considered by an instructor at the beginning of each course when determining "add" priority for additional students. The "add" priority number for new students will be zero for their initial semester of enrollment. Students may attempt to add into open classes during the add period at the beginning of a term or semester. Students are generally added from highest to lowest priority number.

Instructors will issue add authorization numbers to students in the order that they appear on the waitlist. After waitlist students have been accommodated, the instructor may add any remaining students by priority number.

## LATE REGISTRATION

*(First two weeks of semester)*

If you were unable to submit your application and register for classes before the semester begins, you will need to complete the following:

1. **Submit an application online;**
2. **Attend class (Do not wait for your application to be processed);**
  - Obtain an ADD AUTHORIZATION NUMBER from the instructor. Be sure to have your priority number available. Reminder: If there is space available, instructors will add according to waitlist priority before issuing adds to non-waitlisted students.
3. **Register**
  - Enter the 4 digit number on CLASS-Web when prompted to do so in the registration menu.

Refer to the "Late Start" section for available courses. ADD/DROP dates for these courses may vary from full term courses.

## STUDENT ID CARD

All students are required to carry a valid photo identification card with current validation sticker. This card is essential for use of library, computer lab, bookstore, Wheels (bus transportation) and other campus services. Cards may be obtained at the Online Service Center, Building 1600.

## COMMON REGISTRATION ERROR MESSAGES

EXCESS UNITS	Students are eligible to take up to 18 units. If a student wishes to take more than 18 units he/she must consult with a Counselor.
CLASS OVERLAP	Students may be permitted to enroll in two classes that meet during any part of the same hour with approval from the instructor, but only if a class overlaps with another class for 15 minutes or less. The student must request a Class Overlap form at the Admissions and Records Office. The form must be filled out by the instructor and signed by the appropriate Dean. The student must then return the completed form to the Admissions and Records Office no later than the day before the Census date.
REPEAT LIMIT EXCEEDED	The student must consult with the Counseling Department.
PREREQUISITE NOT MET	The student must consult with the Counseling Department.

# ZONEMAIL INFORMATION



## Here are three ways **ZoneMail** keeps you connected

1

Check your **ZoneMail** often, especially during registration periods and the beginning of each semester. You can also forward your **ZoneMail** to your personal email.

2

All the important information you need about your experience at LPC will be sent to your student email:

- Registration
- Financial aid
- Student deadlines
- Emergency alerts
- Waitlist

3

You may check your student email on campus. Simply sign up for **ZoneMail** OR forward to your personal email:

<http://laspositascollege.edu/ZoneInfo/index.php>

**STAY INFORMED, FOLLOW US:**  
[WWW.LASPOSITASCOLLEGE.EDU](http://WWW.LASPOSITASCOLLEGE.EDU)

 LAS POSITAS COLLEGE  
 @LPCOFFICIAL

 LASPOSITASCOLLEGE  
 LAS POSITAS COLLEGE

**NEED HELP? ASK THE HELPZONE!** Call (925) 424-1710 or send email to [helpzone@clpccd.org](mailto:helpzone@clpccd.org)



# ENROLLMENT POLICIES & PROCEDURES

## OPEN COURSE POLICY

In accordance with District Policy, all classes are open to enrollment and participation by any person who meets the academic prerequisites of the class and who is otherwise eligible for admission to Las Positas College.

## CLOSED AND CANCELLED CLASSES

Any class may be closed to further registration when it reaches the maximum size. Additionally, if registration is insufficient in any class, it may be cancelled.

## DROPPING CLASSES (“NGR”) AND CLASS WITHDRAWAL (“EW”, “W”)

Students are responsible for dropping or withdrawing from classes. Failure to follow the withdrawal procedures may result in a grade of “F” or “NP”.

### (“NGR”) No Grade of Record

Students who drop before the NGR (No Grade of Record) deadline date will not have a notation/grade appear on their academic record. Students may apply for a refund through the Admissions and Records Office. For course cancellations, students may be eligible for a refund.

### (“EW”) Excused Withdrawal

Excused Withdrawal occurs when a student is permitted to withdraw from a course(s) due to specific events beyond the control of the student affecting his or her ability to complete a course(s). Upon consultation with the course faculty and verification of these conditions or reviewing documentation substantiating the condition, an excused withdrawal symbol may be assigned “EW.” The “EW” shall not be counted in progress probation and dismissal calculations.

### (“W”) Withdrawal

Class withdrawals that occur after the NGR drop period and prior to the “W” (Withdrawal) deadline date will result in a “W” notation on the student’s academic record. Students are subject to all course fees and/or tuition. “W” grades do not affect the student’s grade point average (GPA). However, excessive “W” notations may result in poor progress or dismissal status and may affect financial aid, athletic eligibility, and/or priority registration.

Note: Instructors have the option of dropping students who: (a) do not attend either of the first two class meetings; or (b) have excessive absences of four consecutive or six cumulative hours.

## REPEATING A COURSE

Unless a course is noted as “repeatable” on the official course outline, the student who receives a satisfactory grade (C, P, or higher) cannot repeat the course, unless an exemption applies per California Education Code section §55042(b). If

a student receives a sub-standard grade and/ or withdraws from the course, the student is allowed to enroll in that course TWO more times for a total maximum of THREE enrollments per CA Ed Code §58161. California regulations specify the circumstances under which a student may repeat a course per CA Ed Code §55040 - §55045.

## PROCEDURES FOR COURSE REPETITION

A “Petition to Repeat a Course” may be submitted to the Dean of Student Services or designee for consideration where the student has been blocked due to exceeding the limit of 3 attempts. This document is required for approval of repetitions beyond the limits noted in California regulations. Documentation is required depending on the reason for the Petition to Repeat a Course form.

Students are advised that both the original and subsequent grade will remain on their transcript and that in transferring to another institution, they may be held responsible for all units attempted.

Please refer to the College Catalog for detailed information regarding course repetition policies and procedures.

## COURSE PREREQUISITES

A prerequisite is a requirement that must be completed prior to the registration of a course. “Prerequisite” means the preparation or previous course work considered necessary for success in the course. The college requires students to complete prerequisites as pre-enrollment preparation. Prerequisites, which are listed in the College Catalog, include:

1. Courses for which specific prerequisites have been validated.
2. Sequential course work in a degree-applicable program.
3. Courses in which a prerequisite is necessary for transfer to a four-year college.

## PREREQUISITE OVERRIDE POLICY

Official transcripts are not evaluated upon receipt by the Admissions and Records Office. If a student completed an equivalent course at another institution, s/he must submit a Prerequisite Override Request to the Counseling Department.

1. Bring your unofficial transcript(s) showing successful completion of equivalent prerequisite coursework to the Counseling Department.
2. Request from the Counselor that you need to override the prerequisite for the course you wish to take.
3. Complete the top portion of the override form and return it to the Counselor with your transcript(s). You will be contacted when the evaluation process is completed.

# ENROLLMENT POLICIES & PROCEDURES

## ACADEMIC AND PROGRESS PROBATION

There are two types of probation: Academic and Progress. Students placed on probation may be required to meet with a Counselor to identify the deficiencies that created the probation status, determine what actions are needed to resolve the problem, and to develop a course schedule for the upcoming semester.

## RE-ADMISSION FROM DISMISSED STATUS

Students who have been dismissed from Las Positas College for scholastic reasons may be readmitted if eligible under College policy outlined in the College Catalog. After completing the online application, students must submit a "Petition for Admission from Dismissed Status" to the Counseling Office, Bldg 1600.

## COLLEGE TRANSCRIPTS

Las Positas College utilizes an online transcript ordering system. Las Positas College has retained Credentials, Inc. to accept transcript orders over the Internet. All official transcript orders must be placed through the website. To request your first two free transcripts, contact the Admissions and Records Office. Free transcripts are not offered online. Rush transcripts are never free.

Students may print unofficial transcripts from their CLASS-Web account.

## CROSS ENROLLMENT WITH CALIFORNIA STATE UNIVERSITY, EAST BAY

Students who have completed 20 transferable units at Las Positas College with a 2.0 cumulative grade point average (GPA) may be eligible to cross enroll with California State University (CSU), East Bay while completing coursework at Las Positas College. Students may elect to cross enroll in courses at CSU East Bay which are not offered by Las Positas College including upper division courses. Students must be enrolled in a minimum of 6 units at Las Positas College and 12 units between the two campuses. For more information, contact the Counseling Department.

## CROSS ENROLLMENT WITH UNIVERSITY OF CALIFORNIA, BERKELEY

Students who have completed one semester as a matriculated student at Las Positas College with a 2.0 cumulative grade point average (GPA), and are currently enrolled in a minimum of six units, may be eligible to cross enroll with the University of California (UC), Berkeley. A maximum of one course per term at UC Berkeley is allowed, and enrollment is on a space available basis. Additional requirements apply. For more information, contact the Counseling Department.

## COMMUNICATION IS KEY!

All registration notices, Financial Aid and general College information, will be emailed to your Zonemail Account. Check it regularly! We want to make sure you have all the information you need to be successful in your time at Las Positas College. Please keep in touch and review all emails and communication from us when you receive it!

### Forward Your ZoneMail to Your Personal Email:

1. Login to your ZONEmail account at <https://myportal.clpccd.cc.ca.us>
2. Click the email option
3. In the upper right hand corner, click the Setting icon and select "Mail Settings"
4. Click the "Forwarding and POP/IMAP" tab
5. Click "Add a Forwarding Address" and type your personal email
6. Access your personal email account to retrieve the verification code, then enter it into the box and click "Verify"
7. Select the option to "Forward a copy of incoming mail" to your personal email.
8. Save changes

# ORIENTATION, ASSESSMENT & STUDENT EDUCATIONAL PLAN

Welcome to Las Positas College! As part of our shared commitment to your educational success, we offer a number of programs and services to help you reach your educational goals. Three important “Core Services” that are highly encouraged – and required for priority registration – are Orientation, Assessment, and the Student Educational Plan (SEP). Learn about each of these essential services below:

## CORE SERVICE 1: ORIENTATION

To help with your transition to LPC, an online orientation is offered for all students, including new, first-time college students and returning to college after being gone for one or more years. Within the orientation, members of the LPC community will introduce you to the school’s programs, services, academic regulations, expectations, campus facilities, and student life. You will need your LPC student identification number that was assigned to you to complete the online orientation. Completion of the orientation is required to participate in priority registration at LPC. Visit <https://bw11.clpccd.cc.ca.us/> to access the online orientation at the website.

## CORE SERVICE 2: ASSESSMENT

In order to help determine the proper courses for you to begin your educational career at LPC, all students are encouraged to complete the Guided Self Placements for Math and English. The Assessment Center also offers placement-level evaluation for English as a Second Language, Chemistry and Foreign Language (Spanish and French) courses. No appointment is necessary! Completion of the Guided Self Placement for Math and English or assessment for English as a Second Language is required to participate in priority registration at LPC. Visit the LPC Home Page and search “Assessment” for the drop-in assessment schedule. If you have a documented disability and required accommodations, please contact the Assessment Center (925-424-1475) to schedule your appointment.

## CORE SERVICE 3: STUDENT EDUCATIONAL PLAN (SEP)

After completing your assessment, you will have the opportunity to schedule an educational planning session with a counselor to review your assessment results, to learn about your educational/career options and develop a Student Educational Plan (SEP) for your first semester at LPC. Completion of the SEP is required to participate in priority registration to select courses for your first term. During your first semester of attendance, you are strongly encouraged to make an appointment to meet with a counselor to discuss your goals and develop a Student Educational Plan (SEP). The purpose of your SEP is to help plan the courses that are required to meet your educational goal(s). During your SEP appointment with a counselor, you will learn what courses you need, the overall time line to complete your goal, and the support services available to help your successfully achieve your goal(s). You may meet with a counselor in-person or online. Visit the LPC Home Page and search “Counseling” for counseling services offered, and available hours. To schedule a counseling appointment you may call (925) 424-1400 or visit the Counseling Office on the first floor of Building 1600.

## TRACK YOUR PROGRESS WITH DEGREE WORKS

LPC now offers a web-based tool to help you keep track of your educational progress! Degree Works (DW) allows you as a student to view your Student Educational Plan and confirm what courses you have completed, as well as what courses remain, toward meeting your educational objective(s). DW matches your academic and course history, as well as your current course schedule, against the degree requirements as defined in the LPC College Catalog.\* Thinking about adding a major, or changing your goal? DW also gives you the opportunity to explore “What If Scenarios,” to determine how your courses meet requirements for programs other than your current declared major. Please meet with a counselor for questions about your educational goal or to change your Student Educational Plan.

To access Degree Works, follow these steps:

1. Visit the LPC Home Page and login to CLASS-Web.
2. Once logged in, navigate to the Student Service tab.
3. Scroll down to locate the Degree Works link.

\*A degree audit created in Degree Works is not official notification of completion of degree or certificate requirements.

## INTRODUCTION TO ACADEMIC PROGRAMS

Las Positas College is authorized by the Board of Governors of the California Community Colleges to confer the Associate of Arts degree, Associate of Science degree, and Certificate of Achievement upon students who complete the necessary requirements. Career certificates are not transcribed and provide industry-based professional development. The following is a listing of academic programs currently offered at Las Positas College.



- Associate of Arts (AA)
- Associate of Science (AS)
- Associate in Arts for Transfer (AAT)
- Associate in Science for Transfer (AST)

- CA Certificate of Achievement
- CP Certificate of Competency - noncredit
- CL Certificate of Completion - noncredit
- § Certificate of Accomplishment - not transcribed

\* Career Technical Education (CTE) - occupational programs designed for job entry; some courses are transferable to 4-year institutions

<b>Administration of Justice</b>			
Administration of Justice*	AA	AS-T	
<b>Anthropology</b>			
Anthropology		AA-T	
<b>Apprenticeship Ironworkers</b>			
Advanced Shop Ironworkers Apprenticeship*			CA
Basic Shop Ironworkers Apprenticeship*			CA
Elementary Shop Ironworkers Apprenticeship*			CA
Intermediate Shop Ironworkers Apprenticeship*			CA
Shop Ironworkers Apprenticeship*	AS		
<b>Art</b>			
Art: Emphasis in Painting	AA		
Studio Arts		AA-T	
<b>Art History</b>			
Art History		AA-T	
<b>Automotive Technology</b>			
Automotive Alternative Fuels/Hybrid Technology*	AS		CA
Automotive Basic*			CL
Automotive Chassis*			CA
Automotive Drivability*			CA
Automotive Electronics Technology*	AS		
Automotive Light Duty Diesel*	AS		CA
Automotive Master*	AS		CA
Automotive Mechanical*			CA
Automotive Smog*			CL
Automotive Smog Technician*	AS		CA
<b>Biological Sciences</b>			
Biology	AA	AS-T	
Biology: Allied Health	AA		
Biology UC Pathway	AS		CA
Computational Biology	AA		CA
<b>Business</b>			
Accounting Technician*			CA
Bookkeeping*			CA
Business*	AS		
Business Administration*	AA	AS-T	
Business Entrepreneurship*	AA		CA
Business Workforce Proficiency*			CA
Customer Service*			CL
Retail Management (WAFC)*			CA
Small Business Management*			CL
Supervisory Management*			CA
<b>Chemistry</b>			
Chemistry	AS		
Chemistry Education	AS		
<b>Communication Studies</b>			
Communication Studies		AA-T	
<b>Computer Information Systems</b>			
Administrative Assistant*	AA		CA

Administrative Medical Assistant*			CA
Cloud Computing*			CA
Computer Applications Software*			CA
Computer Information Systems*	AA		
Computer Information Technologist*	AS		
Project Management*			CA
Web Development*			CA
<b>Computer Networking Technology</b>			
Cisco Network Associate*			CA
Computer Desktop OS Security*			CA
Computer Network Technician*			CA
CyberSecurity*			CA
Digital Forensics Examiner*			CA
IT Support Professional*			CA
Microsoft Systems Administrator*			CA
Network Security and Administration*	AS		
<b>Computer Science</b>			
Computer Programming*			CA
Computer Programming for the Web*			CA
Computer Science	AS		
<b>Early Care and Education</b>			
Associate Teacher*			CA
Child and Adolescent Development		AA-T	
Early Childhood Development*	AA		CA
Early Childhood Education		AS-T	
Early Childhood Intervention*	AA		
Early Childhood Intervention Assistant*			CA
<b>Economics</b>			
Economics		AA-T	
<b>Emergency Medical Services</b>			
Emergency Medical Services EMT-Paramedic*	AS		CA
Emergency Medical Technologies*			CA
Emergency Medical Responder*			§
<b>Engineering</b>			
Civil/Mechanical Engineering	AS		CA
Electrical Engineering	AS		CA
Electrical Engineering UC Pathway	AS		CA
Engineering	AS		CA
Engineering Technology*	AS		CA
Mechanical Engineering UC Pathway	AS		CA
Software Engineering	AS		CA
<b>English</b>			
Creative Writing			CA
English	AA	AA-T	
<b>English as a Second Language</b>			
Advanced ESL Communication Studies*			CL
ESL College Grammar Pathway			CP
ESL College Reading and Writing Pathway			CP
<b>Environmental Science</b>			

Environmental Science	AS		
<b>Environmental Studies</b>			
Environmental Studies	AA		
<b>Film Studies</b>			
Film Studies	AA		CA
<b>Fire Service Technology</b>			
Company Officer*			CA
Fire Academy - Fire Suppression*			CA
Fire Prevention*			CA
Fire Service Technology*	AS		CA
<b>Geography</b>			
Geography		AA-T	
<b>Geology</b>			
Geology		AS-T	CA
Geology Major			CA
<b>Global Studies</b>			
Global Studies		AA-T	
<b>Graphic Arts &amp; Digital Media</b>			
Digital Illustration*			CA
Graphic Design*	AA		CA
Print Design*			CA
Web & Interaction Design*			CA
<b>Health</b>			
Public Health Science		AS-T	
<b>History</b>			
History		AA-T	
<b>Horticulture</b>			
Horticulture*	AS		CL
Landscape Design*			CA
Landscape Maintenance and Construction*			CA
Nursery, Greenhouse, and Grower Operations*			CA
Ornamental Horticulture*			CA
<b>Humanities</b>			
Humanities	AA		CA
<b>Interior Design</b>			
Interior Design	AS		CA
<b>Kinesiology</b>			
Athletic Training/Sports Medicine*			CA
Fitness Trainer*			CA
Kinesiology		AA-T	
<b>Liberal Arts and Sciences</b>			
Arts and Humanities	AA		
Business	AA		
Computer Studies	AA		
Language Arts and Communication	AA		
Mathematics and Science	AA		
Social and Behavioral Sciences	AA		
<b>Marketing</b>			
Marketing*	AA		
Retailing*			CA
<b>Mass Communications</b>			
Journalism*		AA-T	CA
Journalism and Media Studies	AA		
If you have any questions regarding programs of study, please be sure to see a counselor.			

<b>Mathematics</b>			
College Mathematics Pathway			CP
College Mathematics Support			CP
Foundational Mathematics Pathway			CP
Foundational Mathematics Support			CP
Math Jam for College Mathematics			CP
Math Jam for Foundational Mathematics			CP
Math Jam Tutor Pathway			CL
Mathematics		AS-T	
<b>Music</b>			
Commercial Music: Music Business*			CA
Commercial Music: Music Technology Fundamentals*			CA
Commercial Music: Piano Teaching Fundamentals*			CA
Commercial Music: Scoring for Film and Multimedia*			CA
Commercial Music: Teaching Beginning Piano*			CA
Commercial Music: Teaching Intermediate Piano*			CA
Jazz Studies			CA
Music	AA	AA-T	
<b>Nutrition</b>			
Nutrition and Dietetics		AS-T	
<b>Occupational Safety and Health</b>			
Occupational Safety and Health*	AS		CA
Occupational Safety*			CA
<b>Philosophy</b>			
Philosophy		AA-T	
<b>Photography</b>			
Photography*	AA		CA
<b>Physics</b>			
Physics	AS		
<b>Political Science</b>			
Political Science		AA-T	
<b>Psychology</b>			
Psychology		AA-T	
<b>Psychology-Counseling</b>			
Social Work and Human Services		AA-T	
<b>Sociology</b>			
Sociology		AA-T	
<b>Spanish</b>			
Spanish		AA-T	CA
<b>Theater Arts</b>			
Acting			CA
Actors Conservatory			CA
Musical Theater			CA
Technical Theater*			CA
Theater Arts	AA	AA-T	
<b>University Transfer</b>			
CSU General Education Breadth			CA
IGETC (Intersegmental General Education Curriculum)			CA
<b>Viticulture &amp; Winery Technology</b>			
Enology*	AS		CA
Viticulture*	AS		CA
Wine Hospitality*			CA
<b>Welding Technology</b>			
Welding Technology*	AS		CA

# SUMMER 2020

1 <sup>st</sup> 5 - Week .....	June 1 - July 2
2 <sup>nd</sup> 5 - Week .....	July 6 - Aug 6
6 - Week .....	June 22 - July 30
8 - Week .....	June 15 - Aug 6

## SUMMER ENROLLMENT INFORMATION

*~ Please pay close attention to course deadline dates ~*

These dates will vary for each Summer course. Complete the following steps to check the deadline dates to add a course, drop with NGR (no-grade-of-record), get a refund, pass/no pass and withdrawal:

### How to check a class for Add, Drop NGR, Refund, Pass/No Pass and Withdrawal Deadlines

1. Log into CLASS-Web
2. Select the "Student Services" tab
3. Click the "Registration" link
4. Click the "Check Class Deadlines" link
5. Enter the CRN

### **COLLEGE SUMMER HOURS**

Las Positas College will be closed on Fridays for the months of June and July. Please visit our website at [www.laspositascollege.edu](http://www.laspositascollege.edu) for individual department hours of availability.

### **STUDENT HEALTH AND WELLNESS CENTER**

The Student Health and Wellness Center will be open during the Summer. For hours of availability, please visit their website at: [www.laspositascollege.edu/healthcenter](http://www.laspositascollege.edu/healthcenter).

### **FINAL EXAMS**

Final exams for all Summer classes will be held at the last class meeting.

All registration notices, Financial Aid, and general College information will be sent to your ZONEmail Account. Check it regularly.



# A QUICK LOOK @ SUMMER 2020

## 1<sup>st</sup> 5 WEEK Session

June 1 - July 2

D/E	CRN	COURSE	SEC	DESCRIPTION	DAYS/TIMES	UNITS
Web.....	10547.....	CMST 1 .....	DE2 .....	Fundamentals Public Speaking .....	ONLINE .....	3.0
Web.....	10549.....	CMST 1 .....	DE3 .....	Fundamentals Public Speaking .....	ONLINE .....	3.0
Web.....	10421.....	HIST 7 .....	DE2 .....	US Hist.Through Reconstruction.....	ONLINE .....	3.0
Web.....	10034.....	HIST 8 .....	DE1 .....	US Hist. Post-Reconstruction .....	ONLINE .....	3.0
Web.....	10428.....	MSCM 31 .....	DE1 .....	Introduction to Media.....	ONLINE .....	3.0
Web.....	10545.....	MUS 6.....	DE1 .....	Basic Music Skills.....	ONLINE .....	2.0
Web.....	10901.....	MUS 13.....	DE1 .....	History of Rock and Roll .....	ONLINE .....	3.0
Web.....	10552.....	PHTO 67 .....	DE1 .....	History of Photography .....	ONLINE .....	3.0
Web.....	10483.....	THEA 50 .....	DE1 .....	Stagecraft .....	ONLINE .....	3.0

## 2<sup>nd</sup> 5 WEEK Session

July 6 - Aug 6

D/E	CRN	COURSE	SEC	DESCRIPTION	DAYS/TIMES	UNITS
Web.....	10418.....	ANTR 3.....	DE1 .....	Cultural Anthropology .....	ONLINE .....	3.0
Web.....	10574.....	CMST 1 .....	DE4 .....	Fundamentals Public Speaking .....	ONLINE .....	3.0
Web.....	10855.....	ECE 79 .....	DE1 .....	Teaching in a Diverse Society .....	ONLINE .....	3.0
Web.....	10856.....	ECON 2.....	DE2 .....	Principles of Macroeconomics.....	ONLINE .....	3.0
Web.....	10420.....	HIST 1 .....	DE1 .....	Western Civilization to 1600 .....	ONLINE .....	3.0
Web.....	10422.....	HIST 8 .....	DE3 .....	US Hist. Post-Reconstruction .....	ONLINE .....	3.0
Web.....	10197.....	KIN 38A .....	DE1 .....	Preseason Interc. Men's Soccer.....	ONLINE .....	1.0
Web.....	10196.....	KIN 48A .....	DE1 .....	Pre-Season Women's Soccer.....	ONLINE .....	1.0
Web.....	10348.....	MSCM 5.....	DE1 .....	Intro to Mass Communications .....	ONLINE .....	3.0
Web.....	10351.....	MUS 5.....	DE1 .....	American Cultures in Music.....	ONLINE .....	3.0

## 6 WEEK Session

June 22 - July 30

D/E	CRN	COURSE	SEC	DESCRIPTION	DAYS/TIMES	UNITS
Web.....	10350.....	ANTR 1.....	DE1 .....	Biological Anthropology.....	ONLINE .....	3.0
Web.....	10089.....	ASTR 10 .....	DE1 .....	The Solar System.....	ONLINE .....	3.0
Web.....	10912.....	ASTR 20 .....	DE1 .....	Stars and the Universe.....	ONLINE .....	3.0
Web.....	10406.....	BIO 40.....	DE1 .....	Humans and the Environment.....	ONLINE .....	3.0
Web.....	10548.....	CMST 1 .....	DE1 .....	Fundamentals Public Speaking .....	ONLINE .....	3.0
Web.....	10019.....	ENG 1A.....	DE1 .....	Critical Reading and Comp .....	ONLINE .....	3.0
Web.....	10410.....	ENG 1A.....	DE2 .....	Critical Reading and Comp .....	ONLINE .....	3.0
Web.....	10411.....	ENG 1A.....	DE3 .....	Critical Reading and Comp .....	ONLINE .....	3.0
Web.....	10027.....	ENG 1A.....	DE4 .....	Critical Reading and Comp .....	ONLINE .....	3.0
Web.....	10015.....	ENG 1A.....	DE5 .....	Critical Reading and Comp .....	ONLINE .....	3.0
Web.....	10016.....	ENG 1A.....	DE6 .....	Critical Reading and Comp .....	ONLINE .....	3.0
Web.....	10049.....	ENG 1A.....	DE7 .....	Critical Reading and Comp .....	ONLINE .....	3.0
Web.....	10032.....	ENG 1A.....	DE8 .....	Critical Reading and Comp .....	ONLINE .....	3.0
Web.....	10317.....	ENG 4 .....	DE1 .....	Critical Thinking/Writing Lit .....	ONLINE .....	3.0
Web.....	10412.....	ENG 4 .....	DE2 .....	Critical Thinking/Writing Lit .....	ONLINE .....	3.0

Note for Summer courses: DE instructors may drop students if they have not submitted work and/or accessed the class on Canvas for one week.

# A QUICK LOOK @ SUMMER 2020

## 6 WEEK Session (continued)

June 22 - July 30

DIE	CRN	COURSE	SEC	DESCRIPTION	DAYS/TIMES	UNITS
Web.....	10017.....	ENG 4 .....	DE3 .....	Critical Thinking/Writing Lit .....	ONLINE.....	3.0
Web.....	10316.....	ENG 4 .....	DE4 .....	Critical Thinking/Writing Lit .....	ONLINE.....	3.0
Web.....	10319.....	ENG 7 .....	DE1 .....	Critical Thinking/Writing .....	ONLINE.....	3.0
Web.....	10018.....	ENG 7 .....	DE2 .....	Critical Thinking/Writing .....	ONLINE.....	3.0
Web.....	10085.....	ENG 7 .....	DE3 .....	Critical Thinking/Writing .....	ONLINE.....	3.0
Web.....	10318.....	ENG 7 .....	DE4 .....	Critical Thinking/Writing .....	ONLINE.....	3.0
Web.....	10562.....	ENG 32 .....	DE1 .....	U.S. Women's Literature.....	ONLINE.....	3.0
Web.....	10857.....	ESL 100 .....	DE1 .....	Beginning Spelling for English.....	ONLINE.....	1.0
Web.....	10036.....	GEOG 1 .....	DE1 .....	Intro to Physical Geography .....	ONLINE.....	3.0
Web.....	10106.....	GEOG 1 .....	DE2 .....	Intro to Physical Geography .....	ONLINE.....	3.0
Web.....	10472.....	GEOG 5.....	DE1 .....	Environmental Geology: Hazards .....	ONLINE.....	3.0
Web.....	10195.....	GEOG 12.....	DE1 .....	Introduction to Oceanography.....	ONLINE.....	3.0
Web.....	10222.....	HLTH 1 .....	DE1 .....	Intro to Personal Health .....	ONLINE.....	3.0
Web.....	10487.....	HLTH 1 .....	DE2 .....	Intro to Personal Health .....	ONLINE.....	3.0
Web.....	10035.....	HLTH 1 .....	DE3 .....	Intro to Personal Health .....	ONLINE.....	3.0
Web.....	10347.....	HIST 2 .....	DE1 .....	Western Civilization Since 1600 .....	ONLINE.....	3.0
Web.....	10003.....	HIST 7 .....	DE1 .....	US Hist.Through Reconstruction.....	ONLINE.....	3.0
Web.....	10024.....	HIST 7 .....	DE3 .....	US Hist.Through Reconstruction.....	ONLINE.....	3.0
Web.....	10025.....	HIST 8 .....	DE4 .....	US Hist. Post-Reconstruction .....	ONLINE.....	3.0
Web.....	10065.....	HUMN 10 .....	DE1 .....	American Arts and Ideas.....	ONLINE.....	3.0
Web.....	10900.....	HUMN 10 .....	DE2 .....	American Arts and Ideas.....	ONLINE.....	3.0
Web.....	10423.....	HUMN 28 .....	DE1 .....	World Mythology.....	ONLINE.....	3.0
Web.....	10880.....	KIN 18A .....	DE1 .....	Athletic Training Practicum 1 .....	ONLINE.....	1.0
Web.....	10198.....	KIN 31D .....	DE1 .....	Off Seas.Intercoll.Men's BBALL .....	ONLINE.....	0.5
Web.....	10615.....	KIN 41D .....	DE1 .....	Off Season Women's Basketball.....	ONLINE.....	1.0
Web.....	10806.....	KIN GBW .....	DE1 .....	Guts and Butts Workout.....	ONLINE.....	1.0
Web.....	10414.....	KIN GF1 .....	DE1 .....	Golf 1 .....	ONLINE.....	1.0
Web.....	10476.....	KIN GF2 .....	DE1 .....	Golf 2 .....	ONLINE.....	1.0
Web.....	10477.....	KIN GF3 .....	DE1 .....	Golf 3 .....	ONLINE.....	1.0
Web.....	10413.....	KIN PF .....	DE1 .....	Personal Fitness.....	ONLINE.....	1.0
Web.....	10618.....	KIN WT1 .....	DE1 .....	Weight Training 1 .....	ONLINE.....	1.0
Web.....	10703.....	KIN WT2 .....	DE1 .....	Weight Training 2 .....	ONLINE.....	1.0
Web.....	10876.....	MATH 47.....	DE1 .....	Mathematics for Liberal Arts.....	ONLINE.....	3.0
Web.....	10803.....	MATH 156.....	DE1 .....	Geometry .....	ONLINE.....	3.5
Web.....	10787.....	MUS 3.....	DE1 .....	World Music.....	ONLINE.....	3.0
Web.....	10850.....	MUS 47.....	DE1 .....	College Productions-Music.....	ONLINE.....	1.0
Web.....	10243.....	NUTR 1 .....	DE1 .....	Intro to Nutrition Science.....	ONLINE.....	3.0
Web.....	10323.....	NUTR 1 .....	DE2 .....	Intro to Nutrition Science.....	ONLINE.....	3.0
Web.....	10804.....	PCN 10 .....	DE1 .....	Career and Educ. Planning .....	ONLINE.....	2.0
Web.....	10620.....	PCN 18 .....	DE1 .....	University Transfer Planning .....	ONLINE.....	0.5
Web.....	10039.....	PHIL 1 .....	DE1 .....	God, Nature, Human Nature.....	ONLINE.....	3.0

Note for Summer courses: DE instructors may drop students if they have not submitted work and/or accessed the class on Canvas for one week.

# A QUICK LOOK @ SUMMER 2020

## 6 WEEK Session (continued)

June 22 - July 30

D/E	CRN	COURSE	SEC	DESCRIPTION	DAYS/TIMES	UNITS
Web.....	10788.....	PHIL 1 .....	DE2 .....	God, Nature, Human Nature.....	ONLINE.....	3.0
Web.....	10612.....	PHIL 2 .....	DE2 .....	Ethics.....	ONLINE.....	3.0
Web.....	10014.....	POLI 7 .....	DE2 .....	Intro to American Government .....	ONLINE.....	4.0
Web.....	10192.....	PSYC 1 .....	DE1 .....	General Psychology.....	ONLINE.....	3.0
Web.....	10193.....	PSYC 1 .....	DE2 .....	General Psychology.....	ONLINE.....	3.0
Web.....	10194.....	PSYC 1 .....	DE3 .....	General Psychology.....	ONLINE.....	3.0
Web.....	10321.....	PSYC 1 .....	DE4 .....	General Psychology.....	ONLINE.....	3.0
Web.....	10004.....	PSYC 1 .....	DE6 .....	General Psychology.....	ONLINE.....	3.0
Web.....	10471.....	PSYC 3 .....	DE1 .....	Intro. to Social Psychology .....	ONLINE.....	3.0
Web.....	10364.....	PSYC 4 .....	DE1 .....	Brain, Mind, and Behavior.....	ONLINE.....	3.0
Web.....	10489.....	PSYC 6 .....	DE1 .....	Abnormal Psychology .....	ONLINE.....	3.0
Web.....	10322.....	PSYC 12 .....	DE1 .....	Life-Span Psychology .....	ONLINE.....	3.0
Web.....	10371.....	PSYC 12 .....	DE2 .....	Life-Span Psychology .....	ONLINE.....	3.0
Web.....	10012.....	RELS 1 .....	DE1 .....	Religions of the World .....	ONLINE.....	3.0
Web.....	10425.....	RELS 1 .....	DE2 .....	Religions of the World .....	ONLINE.....	3.0
Web.....	10790.....	RELS 1 .....	DE3 .....	Religions of the World .....	ONLINE.....	3.0
Web.....	10009.....	SOC 1 .....	DE1 .....	Principles of Sociology .....	ONLINE.....	3.0
Web.....	10064.....	SOC 1 .....	DE2 .....	Principles of Sociology .....	ONLINE.....	3.0
Web.....	10033.....	SOC 1 .....	DE3 .....	Principles of Sociology .....	ONLINE.....	3.0
Web.....	10762.....	SOC 1 .....	DE4 .....	Principles of Sociology .....	ONLINE.....	3.0
Web.....	10353.....	SOC 3 .....	DE1 .....	Cultural and Racial Minorities.....	ONLINE.....	3.0
Web.....	10426.....	SOC 3 .....	DE2 .....	Cultural and Racial Minorities.....	ONLINE.....	3.0

## 8 WEEK Session

June 15 - August 6

D/E	CRN	COURSE	SEC	DESCRIPTION	DAYS/TIMES	UNITS
Web.....	10538.....	ASL 1A.....	DE1 .....	American Sign Language I.....	ONLINE.....	3.0
Web.....	10026.....	ASL 1A.....	DE2 .....	American Sign Language I.....	ONLINE.....	3.0
Web.....	10401.....	BIO 1A .....	DE1 .....	General Botany .....	ONLINE.....	5.0
Web.....	10403.....	BIO 7A .....	DE1 .....	Human Anatomy.....	ONLINE.....	5.0
Web.....	10892.....	BIO 7A .....	DE2 .....	Human Anatomy.....	ONLINE.....	5.0
Web.....	10402.....	BIO 7A .....	DE3 .....	Human Anatomy.....	ONLINE.....	5.0
Web.....	10567.....	BIO 7B.....	DE1 .....	Human Physiology .....	ONLINE.....	5.0
Web.....	10601.....	BIO 20.....	DE1 .....	Contemporary Human Biology.....	ONLINE.....	3.0
Web.....	10473.....	BIO 30.....	DE1 .....	Intro to College Biology .....	ONLINE.....	4.0
Web.....	10474.....	BIO 30.....	DE2 .....	Intro to College Biology .....	ONLINE.....	4.0
Web.....	10400.....	BUSN 1A .....	DE1 .....	Financial Accounting.....	ONLINE.....	4.0
Web.....	10546.....	BUSN 18 .....	DE1 .....	Business Law .....	ONLINE.....	4.0
Web.....	10315.....	BUSN 40 .....	DE1 .....	Introduction to Business.....	ONLINE.....	3.0
Web.....	10407.....	CHEM 1A .....	DE1 .....	General College Chemistry I.....	ONLINE.....	5.0
Web.....	10101.....	CHEM 1A .....	DE2 .....	General College Chemistry I.....	ONLINE.....	5.0
Web.....	10102.....	CHEM 1B .....	DE1 .....	General College Chemistry II.....	ONLINE.....	5.0

Note for Summer courses: DE instructors may drop students if they have not submitted work and/or accessed the class on Canvas for one week.



# A QUICK LOOK @ SUMMER 2020

## 8 WEEK Session (continued)

June 15 - August 6

DIE	CRN	COURSE	SEC	DESCRIPTION	DAYS/TIMES	UNITS
Web.....	10408.....	CHEM 30A	DE1	Intro and Applied Chemistry I	ONLINE	4.0
Web.....	10475.....	CHEM 30A	DE2	Intro and Applied Chemistry I	ONLINE	4.0
Web.....	10554.....	CHEM 31	DE1	Intro to College Chemistry	ONLINE	4.0
Web.....	10815.....	CHEM 31	DE2	Intro to College Chemistry	ONLINE	4.0
Web.....	10103.....	CHEM 31	DE3	Intro to College Chemistry	ONLINE	4.0
Web.....	10104.....	CHEM 31	DE4	Intro to College Chemistry	ONLINE	4.0
Web.....	10603.....	CMST 10	DE1	Interpersonal Communication	ONLINE	3.0
Web.....	10011.....	CIS 50	DE1	Intro to Computing Info Tech	ONLINE	3.0
Web.....	10005.....	CIS 50	DE2	Intro to Computing Info Tech	ONLINE	3.0
Web.....	10851.....	CIS 50	DE3	Intro to Computing Info Tech	ONLINE	3.0
Web.....	10852.....	CS 7	DE1	Intro to Computer Programming	ONLINE	3.0
Web.....	10763.....	CS 7	DE2	Intro to Computer Programming	ONLINE	3.0
Web.....	10604.....	ECE 56	DE1	Child Growth and Development	ONLINE	3.0
Web.....	10605.....	ECE 62	DE1	Child, Family and Community	ONLINE	3.0
Web.....	10047.....	ECON 1	DE1	Principles of Microeconomics	ONLINE	3.0
Web.....	10038.....	ECON 2	DE1	Principles of Macroeconomics	ONLINE	3.0
Web.....	10858.....	ESL 115	DE1	Intermediate Vocabulary Skills	ONLINE	1.0
Web.....	10048.....	HIST 8	DE2	US Hist. Post-Reconstruction	ONLINE	3.0
Web.....	10576.....	KIN 61	DE1	Water Polo Off Season Training	ONLINE	0.5
Web.....	10479.....	MATH 1	DE1	Calculus I	ONLINE	5.0
Web.....	10667.....	MATH 1	DE2	Calculus I	ONLINE	5.0
Web.....	10480.....	MATH 2	DE1	Calculus II	ONLINE	5.0
Web.....	10799.....	MATH 3	DE1	Multivariable Calculus	ONLINE	5.0
Web.....	10638.....	MATH 30	DE1	College Algebra for STEM	ONLINE	4.0
Web.....	10639.....	MATH 30	DE3	College Algebra for STEM	ONLINE	4.0
Web.....	10640.....	MATH 34	DE3	Calc for Bus and Soc Sciences	ONLINE	5.0
Web.....	10366.....	MATH 34	DE4	Calc for Bus and Soc Sciences	ONLINE	5.0
Web.....	10801.....	MATH 39	DE1	Trigonometry	ONLINE	4.0
Web.....	10481.....	MATH 39	DE2	Trigonometry	ONLINE	4.0
Web.....	10482.....	MATH 39	DE3	Trigonometry	ONLINE	4.0
Web.....	10326.....	MATH 40	DE1	Statistics and Probability	ONLINE	4.0
Web.....	10327.....	MATH 40	DE2	Statistics and Probability	ONLINE	4.0
Web.....	10242.....	MATH 40	DE3	Statistics and Probability	ONLINE	4.0
Web.....	10324.....	MATH 40	DE4	Statistics and Probability	ONLINE	4.0
Web.....	10802.....	MATH 40	DE5	Statistics and Probability	ONLINE	4.0
Web.....	10325.....	MATH 40	DE6	Statistics and Probability	ONLINE	4.0
Web.....	10105.....	MATH 55	DE1	Intermediate Algebra for BSTEM	ONLINE	5.0
Web.....	10539.....	MATH 55	X01	Intermediate Algebra for BSTEM	ONLINE	5.0
Web.....	10540.....	MATH 55	X02	Intermediate Algebra for BSTEM	ONLINE	5.0
Web.....	10641.....	MATH 52A	T01	Tech. Inter. Algebra- Auto A	ONLINE	1.5
Web.....	10642.....	MATH 52A	T02	Tech. Inter. Algebra- Auto A	ONLINE	1.5

Note for Summer courses: DE instructors may drop students if they have not submitted work and/or accessed the class on Canvas for one week.

# A QUICK LOOK @ SUMMER 2020

## 8 WEEK Session (continued)

June 15 - August 6

D/E	CRN	COURSE	SEC	DESCRIPTION	DAYS/TIMES	UNITS
Web.....	10643.....	MATH 52B.....	T01 .....	Tech. Inter. Algebra- Auto B .....	ONLINE.....	1.5
Web.....	10644.....	MATH 52B.....	T02 .....	Tech. Inter. Algebra- Auto B .....	ONLINE.....	1.5
Web.....	10647.....	MATH 53A.....	T01 .....	Tech.Inter.Algebra-Welding A.....	ONLINE.....	2.0
Web.....	10648.....	MATH 53A.....	T02 .....	Tech.Inter.Algebra-Welding A.....	ONLINE.....	2.0
Web.....	10645.....	MATH 53B.....	T01 .....	Tech.Inter.Algebra-Welding B .....	ONLINE.....	1.0
Web.....	10646.....	MATH 53B.....	T02 .....	Tech.Inter.Algebra-Welding B .....	ONLINE.....	1.0
Web.....	10651.....	MATH 72A.....	T01 .....	Tech Elementary Algebra A.....	ONLINE.....	1.0
Web.....	10652.....	MATH 72A.....	T02 .....	Tech Elementary Algebra A.....	ONLINE.....	1.0
Web.....	10653.....	MATH 72B.....	T01 .....	Tech. Elementary Algebra B.....	ONLINE.....	1.0
Web.....	10654.....	MATH 72B.....	T02 .....	Tech. Elementary Algebra B.....	ONLINE.....	1.0
Web.....	10655.....	MATH 72C ...	T01 .....	Tech. Elementary Algebra C .....	ONLINE.....	1.0
Web.....	10656.....	MATH 72C ...	T02 .....	Tech. Elementary Algebra C .....	ONLINE.....	1.0
Web.....	10657.....	MATH 72D ...	T01 .....	Tech. Elementary Algebra D .....	ONLINE.....	1.0
Web.....	10658.....	MATH 72D ...	T02 .....	Tech. Elementary Algebra D .....	ONLINE.....	1.0
Web.....	10541.....	MATH 107.....	X01 .....	Pre-Algebra .....	ONLINE.....	4.0
Web.....	10542.....	MATH 107.....	X02 .....	Pre-Algebra .....	ONLINE.....	4.0
Web.....	10661.....	MATH 110.....	X01 .....	Elementary Algebra.....	ONLINE.....	4.0
Web.....	10662.....	MATH 110.....	X02 .....	Elementary Algebra.....	ONLINE.....	4.0
Web.....	10637.....	PCN 13 .....	DE1 .....	Multicultural Issues: America .....	ONLINE.....	3.0
Web.....	10565.....	PCN 30 .....	DE1 .....	Student Success:College Exp.....	ONLINE.....	3.0
Web.....	10424.....	PHIL 2 .....	DE1 .....	Ethics .....	ONLINE.....	3.0
Web.....	10789.....	PHTO 56 .....	DE1 .....	Intro to Digital Photography .....	ONLINE.....	1.5
Web.....	10911.....	PHTO 58 .....	DE1 .....	Introduction to Videography .....	ONLINE.....	3.0
Web.....	10037.....	POLI 7 .....	DE1 .....	Intro to American Government .....	ONLINE.....	4.0
Web.....	10244.....	PSYC 1 .....	DE5 .....	General Psychology.....	ONLINE.....	3.0
Web.....	10023.....	SPAN 1A.....	DE1 .....	Beginning Spanish .....	ONLINE.....	5.0
Web.....	10795.....	THEA 48A.....	DE1 .....	Tech Theater Prod- Beginning .....	ONLINE.....	3.0
Web.....	10796.....	THEA 48B.....	DE1 .....	Tech Theater Prod-Intermediate .....	ONLINE.....	3.0
Web.....	10797.....	THEA 48C.....	DE1 .....	Tech Theater Prod- Advanced .....	ONLINE.....	3.0
Web.....	10798.....	THEA 48D ...	DE1 .....	Tech Theater Prod- Management.....	ONLINE.....	3.0
Web.....	10706.....	WRKX 94.....	DE1 .....	Occupational Work Exp/Intern. ....	ONLINE.....	0.5
Web.....	10707.....	WRKX 94.....	DE2 .....	Occupational Work Exp/Intern. ....	ONLINE.....	0.5
Web.....	10708.....	WRKX 94.....	DE3 .....	Occupational Work Exp/Intern. ....	ONLINE.....	0.5
Web.....	10711.....	WRKX 94.....	DE4 .....	Occupational Work Exp/Intern. ....	ONLINE.....	0.5
Web.....	10712.....	WRKX 94.....	DE5 .....	Occupational Work Exp/Intern. ....	ONLINE.....	0.5
Web.....	10419.....	WRKX 95.....	DE1 .....	General Work Experience .....	ONLINE.....	0.5
Web.....	10578.....	WRKX 95.....	DE2 .....	General Work Experience .....	ONLINE.....	0.5
Web.....	10579.....	WRKX 95.....	DE3 .....	General Work Experience .....	ONLINE.....	0.5
Web.....	10709.....	WRKX 95.....	DE4 .....	General Work Experience .....	ONLINE.....	0.5
Web.....	10710.....	WRKX 95.....	DE5 .....	General Work Experience .....	ONLINE.....	0.5

**Note for Summer courses: DE instructors may drop students if they have not submitted work and/or accessed the class on Canvas for one week.**

# A QUICK LOOK @ SUMMER 2020

## VARYING START DATES

D/E	CRN	COURSE	SEC	DESCRIPTION	DAYS/TIMES	UNITS
Web....	10881....	EMS 16....	V01 ....	Paramedic Clinical Occupation .....	ONLINE.....	May 28 - Aug 8.....3.0
Web....	10882....	EMS 17....	V01 ....	Paramedic Capstone Occupation.....	ONLINE.....	May 28 - Aug 8.....1.0
Web....	10607....	EMS 30....	DE1 ....	Emergency Medical Responder .....	ONLINE.....	May 26 - Aug 6.....3.0
Web....	10614....	KIN 40A...	DE1 ....	Pre-Season Women's Volleyball .....	ONLINE.....	May 26 - Aug 6.....1.0

## NON CREDIT SUMMER COURSES

D/E	CRN	COURSE	SEC	DESCRIPTION	DAYS/TIMES	UNITS
<b>6 WEEK SESSION 22-Jun - 30-Jul</b>						
Web.....	10883.....	NMAT 256 ....	DE1 .....	Geometry .....	ONLINE .....	0.0
<b>8 WEEK SESSION 15-Jun - 6-Aug</b>						
Web.....	10909.....	NMAT 202C ....	C01 .....	Concurrent Support for Math .....	ONLINE .....	0.0
Web.....	10910.....	NMAT 202C ....	C02 .....	Concurrent Support for Math .....	ONLINE .....	0.0
Web.....	10862.....	NMAT 207 ....	X01 .....	Pre-Algebra .....	ONLINE .....	0.0
Web.....	10863.....	NMAT 207 ....	X02 .....	Pre-Algebra .....	ONLINE .....	0.0
Web.....	10864.....	NMAT 210 ....	X01 .....	Elementary Algebra .....	ONLINE .....	0.0
Web.....	10861.....	NMAT 255 ....	DE1 .....	Intermediate Algebra for BSTEM .....	ONLINE .....	0.0
Web.....	10859.....	NMAT 255 ....	X01 .....	Intermediate Algebra for BSTEM .....	ONLINE .....	0.0
Web.....	10860.....	NMAT 255 ....	X02 .....	Intermediate Algebra for BSTEM .....	ONLINE .....	0.0

Note for Summer courses: DE instructors may drop students if they have not submitted work and/or accessed the class on Canvas for one week.



# SUMMER 2020 COURSE LISTINGS

CODES: OP = Course taken for letter grade or pass/no pass; P/NP = Course taken is Pass/No Pass only; GR = Course taken for letter grade only

D/E CRN DAYS TIMES ROOM INSTRUCTOR DATES CODES SEC D/E CRN DAYS TIMES ROOM INSTRUCTOR DATES CODES SEC

## ADMINISTRATION OF JUSTICE

**AJ 9969 FIREARMS INSTRUCTOR 2.5 Units**

Designed to train individuals to be firearms instructors. Covers basic firearms knowledge, teaching techniques and lesson planning, range preparation, combat shooting techniques and safety. A California Peace Officer Standards and Training (POST) certified course designed for full-time peace officers.

Day 10697 By Arr 13.5 Hrs/Wk tba STAFF 05/26-08/06 P/N 091  
Lab By Arr 27.0 Hrs/Wk tba 05/26-08/06 P/N

This course will meet offsite at the Alameda County Sheriff's Office Regional Training Center located at 6289 Madigan Road, Dublin, CA 94568. To initiate enrollment for this course, or get further information, contact the Regional Training Center at 925-551-6970 or <http://www.sheriffacademy.com>.

**AJ 9979 BASIC POLICE CYCLIST 1.5 Units**

A course designed for those newly assigned to bicycle patrol work. Covers basic cycling principles and skills, including riding in traffic, bicycle fitness, gear selection, basic maintenance, health and nutrition, emergency handling skills, hazard evasion, night riding, patrol tactics, legal issues, traffic laws and scenarios. This is a California Peace Officer Standards and Training (POST) certified course for regular or reserve peace officers in federal, state, or local law enforcement.

Day 10698 By Arr 18.0 Hrs/Wk tba STAFF 05/26-08/06 P/N 091  
Lab By Arr 27.0 Hrs/Wk tba 05/26-08/06 P/N

This course will meet offsite at the Alameda County Sheriff's Office Regional Training Center located at 6289 Madigan Road, Dublin, CA 94568. To initiate enrollment for this course, or get further information, contact the Regional Training Center at 925-551-6970 or <http://www.sheriffacademy.com>.

**AJ 9987 BASIC S.W.A.T. 2.5 Units**

Introduces officers to basic weapons and tactical skills associated with the responsibilities of a SWAT team member. Training includes member selection and team make-up, keys to survival, introduction to tactical weapons and movement of fire, weapon retention and take away, tactical building searches, rappelling, incident management under SMEAC and liability issues. This is a California Peace Officer Standards and Training (POST) certified course designed for full-time peace officers approved for SWAT training for their agency.

Day 10699 Lab By Arr 13.5 Hrs/Wk tba STAFF 05/26-08/06 P/N 091  
Lab By Arr 27.0 Hrs/Wk tba 05/26-08/06 P/N

This course will meet offsite at the Alameda County Sheriff's Office Regional Training Center located at 6289 Madigan Road, Dublin, CA 94568. To initiate enrollment for this course, or get further information, contact the Regional Training Center at 925-551-6970 or <http://www.sheriffacademy.com>.

**AJ 9997 LAW ENFORCEMENT ACADEMY 29.0 Units**

Basic concepts of law enforcement, covering investigation, procedures, records, laws, tactics, firearms and public and human relations. The Law Enforcement Academy is certified by the Commission of Peace Officer Standards and Training (POST).

*Strongly Recommended: Administration of Justice 50, 60, 61, and 70 or employment as a peace officer.*

Day 10572 By Arr 9.0 Hrs/Wk tba STAFF 05/26-08/06 OP 166  
Lab By Arr 27.0 Hrs/Wk tba 05/26-08/06 OP

## AMERICAN SIGN LANGUAGE

**ASL 1A AMERICAN SIGN LANGUAGE I 3.0 Units**

Introduction to American Sign Language (ASL) including expressive and receptive sign, the manual alphabet, facial expression, and body gestures. Emphasis on conversational skills in functional situations, knowledge of Deaf culture and the Deaf community.

Web 10026 ONLINE COLE 06/15-08/06 GR DE1  
Web 10538 ONLINE COLE 06/15-08/06 GR DE2

All ASL 1A sections are online courses. For more information, see the section titled "Online Learning" in this schedule, or go to <http://www.laspositascollege.edu/onlinelearning>.

## ANTHROPOLOGY

**ANTR 1 BIOLOGICAL ANTHROPOLOGY 3.0 Units**

This course introduces the concepts, methods of inquiry, and scientific explanations for biological evolution and their application to the human species. Issues and topics will include, but are not limited to, genetics, evolutionary theory, human variation and biocultural adaptations, comparative primate anatomy and behavior, and the fossil evidence for human evolution. The scientific method serves as foundation of the course. The course may include a lab component.

*Strongly Recommended: Eligibility for ENG 1A*

Web 10350 ONLINE MURRAY 06/22-07/30 OP DE1

All ANTR 1 sections are online courses. For more information, see the section titled "Online Learning" in this schedule, or go to <http://www.laspositascollege.edu/onlinelearning>.

**ANTR 3 CULTURAL ANTHROPOLOGY 3.0 Units**

This course explores how anthropologists study and compare human culture. Cultural anthropologists seek to understand the broad arc of human experience focusing on a set of central issues: how people around the world make their living (subsistence patterns); how they organize themselves socially, politically and economically; how they communicate; how they relate to each other through family and kinship ties; what they believe about the world (belief systems); how they express themselves creatively (expressive culture); how they make distinctions among themselves such as through applying gender, racial and ethnic identity labels; how they have shaped and been shaped by social inequalities such as colonialism; and how they navigate culture change and processes of globalization that affect us all. Ethnographic case studies highlight these similarities and differences, and introduce students to how anthropologists do their work, employ professional anthropological research ethics and apply their perspectives and skills to understand humans around the globe.

*Strongly recommended: Eligibility for ENG 1A.*

Web 10418 ONLINE OEH 07/06-08/06 OP DE1

All ANTR 3 sections are online courses. For more information, see the section titled "Online Learning" in this schedule, or go to <http://www.laspositascollege.edu/onlinelearning>.

## ASTRONOMY

### ASTR 10 THE SOLAR SYSTEM 3.0 Units

Introduction to history and physical principles of astronomy, focusing on our Solar System. Includes: constellations; distance scales; historical development of astronomy; gravitation; motion of the earth, moon and planets; astronomical tools; formation and evolution of the solar system; physical properties, atmosphere, and evolution of the earth, moon, and planets within the solar system; asteroids, comets, and other small bodies; discovery of extra-solar planets; possibilities for life beyond Earth. Designed for non-majors in mathematics or physical science. A companion science lab, Astronomy 30, is also available.

**Web 10089 ONLINE HARPELL 06/22-07/30 OP DEI**

All ASTR 10 sections are online courses. For more information, see the section titled "Online Learning" in this schedule, or go to <http://www.laspositascollege.edu/onlinelearning>.

### ASTR 20 INTRO TO ASTR STARS & UNIVERSE 3.0 Units

Introduction to study of stars, galaxies, and cosmology. Includes the nature of light and matter, telescopes, spectroscopy, stellar formation and evolution, galaxies, quasars, and cosmology. Designed for non-majors in mathematics or a physical science. A companion science lab, Astronomy 30, is also available.

**Web 10912 ONLINE HARPELL 06/22-07/30 OP DEI**

All ASTR 20 sections are online courses. For more information, see the section titled "Online Learning" in this schedule, or go to <http://www.laspositascollege.edu/onlinelearning>.

## BIOLOGICAL SCIENCES

### BIO 1A GENERAL BOTANY 5.0 Units

Diversity, structure and function of plant, fungal, and protistan phyla. Topics include development, morphology, physiology and systematics. Principles of population and community ecology and ecosystem interactions. (Note: Formerly BOTN 1.)

*Prerequisite: MATH 55 or 55B or Strongly Recommended: BIO 30*

**Web 10401 ONLINE NAKASE 06/15-08/06 GR DEI**

All BIO 1A sections are online courses. For more information, see the section titled "Online Learning" in this schedule, or go to <http://www.laspositascollege.edu/onlinelearning>.

### BIO 7A HUMAN ANATOMY 5.0 Units

Structural organization of the human body: gross and microscopic structure of the integumentary, skeletal, muscular, nervous, sensory, endocrine, cardiovascular, lymphatic, respiratory, digestive, excretory, and reproductive systems, from cellular to organ system levels of organization. This course is primarily intended for nursing, allied health, kinesiology, and other health related majors.

*Prerequisite: BIO 30 with a minimum grade of C*

*Strongly Recommended: Eligibility for ENG 1A*

**Web 10402 ONLINE HIGHT 06/15-08/06 GR DEI**

BIO 7A-DE1 is an online course. Lectures for BIO 7A-DE1 will be held synchronously M-Th 10am-11:50am. An introduction to the day's lab will be held synchronously M-Th 12:00-12:30pm. All synchronous delivery will be offered through Canvas Confer Zoom and recorded. Students who are unable to attend the synchronous lecture and introduction to lab may view recorded materials. Other lab content will be delivered asynchronously.

**Web 10892 ONLINE DOLAN 06/15-08/06 GR DE2**

BIO 7A-DE2 is an online course. Lectures for BIO 7A-DE2 will be held synchronously M-Th 12pm-1:25pm. An introduction to the day's lab will be held synchronously M-Th 1:40-2:20pm. All synchronous delivery will be offered through Canvas Confer Zoom and recorded. Students who are unable

to attend the synchronous lecture and introduction to lab may view recorded materials. Other lab content will be delivered asynchronously.

**Web 10403 ONLINE ROGHANI 06/15-08/06 GR DE3**

BIO 7A-DE3 is an online course. Lectures for BIO 7A-DE3 will be held synchronously M-Th 5:00-6:25pm. An introduction to the day's lab will be held synchronously M-Th 6:40-7:20pm. All synchronous delivery will be offered through Canvas Confer Zoom and recorded. Students who are unable to attend the synchronous lecture and introduction to lab may view recorded materials. Other lab content will be delivered asynchronously.

### BIO 7B HUMAN PHYSIOLOGY 5.0 Units

Function and regulation of the human body. This course examines general, cellular, and molecular interactions that integrate the organ systems to maintain homeostasis. Human responses and computer simulations are used to collect and analyze data. Designed for nursing, physical and occupational therapy, and other health sciences majors.

*Prerequisite: BIO 7A and CHEM 1A or CHEM 30A or CHEM 31 with a minimum grade of C*

*Strongly Recommended: CHEM 30B with a minimum grade of C and Eligibility for ENG 1A*

**Web 10567 ONLINE KATZ 06/15-08/06 GR DEI**

All BIO 7B sections are online courses. For more information, see the section titled "Online Learning" in this schedule, or go to <http://www.laspositascollege.edu/onlinelearning>.

### BIO 20 CONTEMPORARY HUMAN BIOLOGY 3.0 Units

A study of the Human organism, beginning at the cellular level, emphasizing organ systems, and also including topics of genetics and biotechnology. (Note: Formerly BIOL 20.)

**Web 10601 ONLINE CHOYNICK 06/15-08/06 GR DEI**

All BIO 20 sections are online courses. For more information, see the section titled "Online Learning" in this schedule, or go to <http://www.laspositascollege.edu/onlinelearning>.

### BIO 30 INTRO TO COLLEGE BIOLOGY 4.0 Units

Basic principles of biology. Cell structure and function, cell division, cell metabolism, reproduction, genetics, taxonomy, origin of life, and evolution. Laboratory emphasis on developing various laboratory skills, using the metric system, collecting data, graphing, interpreting data, and preparing for and taking laboratory exams. Designed to prepare the necessary concepts and laboratory skills and experience that are needed to succeed in more advanced courses in biology. (Note: Formerly BIOL 31.)

*Strongly Recommended: MATH 110 or MATH 110B and Eligibility for ENG 1A*

**Day 10473 ONLINE FITZGERALD 06/15-08/06 GR DE1**

**Day 10474 ONLINE FITZGERALD 06/15-08/06 GR DE2**

All BIO 30 sections are online courses. For more information, see the section titled "Online Learning" in this schedule, or go to <http://www.laspositascollege.edu/onlinelearning>.

### BIO 40 HUMANS AND THE ENVIRONMENT 3.0 Units

Introduction to environmental issues from a scientific perspective, focusing on physical, chemical, and biological processes within the Earth system, the interaction between humans and these processes, and the role of science in finding sustainable solutions. Topics include ecological principles, biodiversity, climate change, sustainability, renewable and non-renewable energy, water resources, air and water pollution, and solid waste management.

*Strongly Recommended: Eligibility for ENG 1A*

**Web 10406 ONLINE SHULDMAN 06/22-07/30 OP DEI**

All BIO 40 sections are online courses. For more information, see the section titled "Online Learning" in this schedule, or go to <http://www.laspositascollege.edu/onlinelearning>.

## BUSINESS

### BUSN 1A FINANCIAL ACCOUNTING

4.0 Units

A study of accounting as an information system; examining why it's important, and how it's used by investors and creditors to make decisions. Includes the recording and reporting of business transactions with a focus on the accounting cycle, the application of generally accepted accounting principles and comparing it to international financial reporting standards, preparation and analysis of the classified financial statements for merchandising and service companies. Also includes issues related to recording and valuation of assets, liabilities, equities and cashflow, recognition of revenues, expenses using effective internal controls and ethical standards. (Formerly Principles of Accounting 1A).

Web 10400 ONLINE YAP 06/15-08/06 GR DEI

All BUSN 1A sections are online courses. For more information, see the section titled "Online Learning" in this schedule, or go to <http://www.laspositascollege.edu/onlinelearning>.

### BUSN 18 BUSINESS LAW

4.0 Units

A study of the legal environment of business. Covering laws and regulations impacting business transactions. Introduction to the legal process. Topics include sources of legal concepts and ethics, torts, contracts, UCC, warranties, product liability, consumer financial transactions, environmental, competition, agency, employment and labor, business organizations, and judicial and administrative processes.

Strongly Recommended: BUSN 40 and ENG 1A with a minimum grade of C

Web 10546 ONLINE COLEMAN 06/15-08/06 GR DEI

All BUSN 18 sections are online courses. For more information, see the section titled "Online Learning" in this schedule, or go to <http://www.laspositascollege.edu/onlinelearning>.

### BUSN 40 INTRODUCTION TO BUSINESS

3.0 Units

A multidisciplinary examination and introduction to business operations within the U.S. and internationally. Provides an overview of global economic systems, business formations, business ethics and laws, general accounting practices and financing, facility location and layout, production, organizational structures and management functions. Fundamentals of risk management, marketing, human resources, and employee motivation are covered. Demonstrates how culture, society, and external business environments impact a business' ability to achieve its organizational goals.

Strongly Recommended: ENG 1A

Web 10315 ONLINE PATTERSON 06/15-08/06 OP DEI

All BUSN 40 sections are online courses. For more information, see the section titled "Online Learning" in this schedule, or go to <http://www.laspositascollege.edu/onlinelearning>.

## CHEMISTRY

### CHEM 1A GENERAL COLLEGE CHEMISTRY I

5.0 Units

Introduction to atomic structure, bonding, stoichiometry, thermochemistry, gases, matter and energy, oxidation-reduction, chemical equations, liquids and solids, solutions, chemical energetics and equilibrium. Laboratory includes both quantitative and qualitative experiments.

Prerequisites: Mathematics 55 or 55B and Chemistry 31 (all courses completed with a grade of "C" or higher). The Chemistry 31 prerequisite can be fulfilled by demonstrating the appropriate skill level in the Chemistry Placement Process.

Web 10407 ONLINE CHUMA 06/15-08/06 GR DEI

Web 10101 ONLINE SYMMANK 06/15-08/06 GR DE2

Lectures for CHEM 1A-DE2 will be held synchronously M-Th 8:30am-9:55am.

An introduction to the day's lab will be held synchronously M-Th 10:05 – 10:35pm. All synchronous delivery will be offered through Canvas Confer Zoom and recorded. Students who are unable to attend the synchronous lecture and introduction to lab may view recorded materials. Other lab content will be delivered asynchronously.

### CHEM 1B GENERAL COLLEGE CHEMISTRY II

5.0 Units

Continuation of Chemistry 1A. Includes chemical energetics and equilibria, solutions and ionic equilibria, acid-base chemistry, electrochemistry, coordination chemistry, kinetics, nuclear chemistry, organic chemistry, and the chemistry of family groups of the periodic table. Laboratory emphasizes quantitative techniques, including instrumentation, and qualitative analysis.

Prerequisite: Chemistry 1A (completed with a grade of "C" or higher).

Web 10102 ONLINE BRENNAN 06/15-08/06 GR DE1

Lectures for Chem 1B -DE1 will be held synchronously M-Th 1:00pm-2:25pm. A pre-lab introduction to the day's lab will be held synchronously M-Th 2:30pm-2:50pm. All synchronous delivery will be offered through Canvas Confer Zoom and recorded. Students who are unable to attend the synchronous lecture and introduction to lab may view recorded materials. Other lab content will be delivered asynchronously.

### CHEM 30A INTRO AND APPLIED CHEMISTRY I

4.0 Units

Chemistry of inorganic compounds, atomic theory, bonding, equations, gas laws, solutions, acid-base theory and oxidation-reduction. Designed to meet the requirements of certain programs in allied health and technological fields and for general education. Chabot

Prerequisite: MTH 65, MTH 65B or, MTH 65L or, MTH 53 or, MTH 53B (completed with a grade of "C" or higher)

LPC Prerequisite: MATH 110 or MATH 110B with a minimum grade of C

Web 10408 ONLINE SHARMA 06/15-08/06 GR DE1

Web 10475 ONLINE SHARMA 06/15-08/06 GR DE2

Lectures for CHEM 30A-DE1 and DE2 will be held synchronously M-Th 5:30pm-7:00pm. An introduction to the day's lab will be held synchronously M-Th 7:00pm-8:00pm. All synchronous delivery will be offered through Canvas Confer Zoom and recorded. Students who are unable to attend the synchronous lecture and introduction to lab may view recorded materials posted on CANVAS. Other lab content will be delivered asynchronously.

### CHEM 31 INTRO TO COLLEGE CHEMISTRY

4.0 Units

Elementary concepts of chemistry with emphasis on mathematical calculations; includes nomenclature, stoichiometry, atomic structure, gas laws, and acids and bases. Designed for majors in science and engineering.

Prerequisite: Mathematics 55 or 55B (completed with a grade of "C" or higher).

Web 10554 ONLINE GUHA 06/15-08/06 OP DE1

Web 10815 ONLINE GUHA 06/15-08/06 OP DE2

Web 10103 ONLINE HADEI 06/15-08/06 OP DE3

Web 10104 ONLINE HADEI 06/15-08/06 OP DE4

All CHEM 31 sections are online courses. For more information, see the section titled "Online Learning" in this schedule, or go to <http://www.laspositascollege.edu/onlinelearning>.

## COMMUNICATION STUDIES

### CMST 1 FUNDAMENTALS PUBLIC SPEAKING

3.0 Units

Theory and techniques of public speaking. Discovery, development, and criticism of ideas in public discourse through research, reasoning, organization, composition, presentation, and evaluation of various types of speeches including informative and persuasive speeches; includes developing the faculties of critical listening and problem solving.

Strongly Recommended: ENG 1A with a minimum grade of C

Web 10548 ONLINE KELLNER 06/22-07/30 OP DE1

Web 10547 ONLINE DOBSON 06/01-07/02 OP DE2



CMST 1-DE2 will meet live online to perform the speech assignments through ConferZoom from 8:00am-10:35am on the following dates: (6/4, 6/10, 6/11, 6/24, 6/25, 6/30 and 7/1). Students will need to participate at these times to both speak to and provide a listening audience.

Web 10549 ONLINE DOBSON 06/01-07/02 OP DE3

CMST 1-DE3 will meet live online to perform the speech assignments through ConferZoom from 10:30am-12:55pm on the following dates: (6/4, 6/10, 6/11, 6/24, 6/25, 6/30 and 7/1). Students will need to participate at these times to both speak to and provide a listening audience.

Web 10574 ONLINE STAFF 07/06-08/06 OP DE4

All CMST 1 sections are online courses. For more information, see the section titled "Online Learning" in this schedule, or go to <http://www.laspositacollege.edu/onlinelearning>.

**CMST 10 INTERPERSONAL COMMUNICATION 3.0 Units**

Exploration, discussion, and evaluation of the principles of the verbal and non-verbal communication process in relationships. Study of theory and research findings and their application to communication in interpersonal relationships in personal and professional contexts.

Strongly Recommended: ENG 1A with a minimum grade of C

Web 10603 ONLINE KELLNER 06/15-08/06 OP DE1

All CMST 10 sections are online courses. For more information, see the section titled "Online Learning" in this schedule, or go to <http://www.laspositacollege.edu/onlinelearning>.

## COMPUTER INFORMATION SYSTEMS

**CIS 50 INTRO TO COMPUTING INFO TECH 3.0 Units**

A comprehensive introductory to the concepts of management and information systems used in business and similar organizations. Covers the role of information systems in business, the need for data and information, how computers are used in business and other organizations to provide information. Focus on information systems, database management system, networking, e-commerce, ethics and security, computer system hardware and software components. Students will interactively solve applied problems utilizing software productivity tools such as: word processors, spreadsheets, databases, presentation, WWW, and programming languages. Introduce the analytical, written and oral communication skills necessary to communicate effectively in a business computing environment.

Web 10011 ONLINE FIELDS 06/15-08/06 OP DE1

Web 10005 ONLINE FIELDS 06/15-08/06 OP DE2

Web 10851 ONLINE AUSTIN 06/15-08/06 OP DE3

All CIS 50 sections are online courses. For more information, see the section titled "Online Learning" in this schedule, or go to <http://www.laspositacollege.edu/onlinelearning>.

## COMPUTER SCIENCE

**CS 7 INTRO TO COMPUTER PROGRAMMING 3.0 Units**

An introductory course in computer programming concepts and fundamental coding skills using object-oriented languages like Python. Material includes problem-solving techniques, design of algorithms, and common programming constructs such as variables, expressions, input/output, decision-making, loops and arrays.

Web 10852 ONLINE GRIESEMER 06/15-08/06 OP DE1

Web 10763 ONLINE GRIESEMER 06/15-08/06 OP DE2

All CS 7 sections are online courses. For more information, see the section titled "Online Learning" in this schedule, or go to <http://www.laspositacollege.edu/onlinelearning>.

## EARLY CARE AND EDUCATION

**ECE 56 CHILD GROWTH AND DEVELOPMENT 3.0 Units**

A study of the major physical, psychosocial, and cognitive/language developmental milestones for children, both typical and atypical, from conception through adolescence. There will be an emphasis on interactions between maturational processes and environmental factors. While studying developmental theory and investigative research methodologies, students will observe children, evaluate individual differences and analyze characteristics of development at various stages.

Web 10604 ONLINE GARNER 06/15-08/06 GR DE1

All ECE 56 sections are online courses. For more information, see the section titled "Online Learning" in this schedule, or go to <http://www.laspositacollege.edu/onlinelearning>.

**ECE 62 CHILD, FAMILY AND COMMUNITY 3.0 Units**

The processes of socialization and identity development, focusing on the interrelationship of family, school, and community. Examines the influence of multiple societal contexts. Explores the role of collaboration between family, community, and schools in supporting children's development.

Web 10605 ONLINE TAYLOR 06/15-08/06 GR DE1

All ECE 62 sections are online courses. For more information, see the section titled "Online Learning" in this schedule, or go to <http://www.laspositacollege.edu/onlinelearning>.

**ECE 79 TEACHING IN A DIVERSE SOCIETY 3.0 Units**

Examines the impact of various societal influences such as privilege, oppression, bias, and discrimination on the development of children's social and personal identity. Self-examination and reflection on values, beliefs and attitudes related to social identity, stereotypes, conscious and unconscious bias will be emphasized. Recognize and confront barriers that interfere with one's ability to work effectively with diverse populations of children and families. Enhance teacher skills for educating children in a pluralistic society. The class will focus heavily on anti-bias approaches to teaching, curriculum and family partnerships.

Strongly Recommended: ECE 62 with a minimum grade of C

Web 10855 ONLINE GARNER 07/06-08/06 GR DE1

All ECE 79 sections are online courses. For more information, see the section titled "Online Learning" in this schedule, or go to <http://www.laspositacollege.edu/onlinelearning>.

## ECONOMICS

**ECON 1 PRINCIPLES OF MICROECONOMICS 3.0 Units**

Economic analysis of market systems, price theory, including supply and demand analysis, marginal utility, elasticity, cost and revenue concepts, perfect and imperfect competition, international trade theory, pricing of the factors of production, poverty and income inequalities.

Prerequisite: MATH 55 or MATH 55B and ENG 104 with a minimum grade of C

Web 10047 ONLINE WEBSTER 06/15-08/06 OP DE1

All ECON 1 sections are online courses. For more information, see the section titled "Online Learning" in this schedule, or go to <http://www.laspositacollege.edu/onlinelearning>.

**ECON 2 PRINCIPLES OF MACROECONOMICS 3.0 Units**

Economic analysis of the theory of income determination, including national income analysis, business cycles, the consumption function, the multiplier, fiscal policy, monetary policy, money and banking, the public debt, economic



D/E	CRN	DAYS	TIMES	ROOM	INSTRUCTOR	DATES	CODES	SEC	D/E	CRN	DAYS	TIMES	ROOM	INSTRUCTOR	DATES	CODES	SEC
-----	-----	------	-------	------	------------	-------	-------	-----	-----	-----	------	-------	------	------------	-------	-------	-----

growth and development, comparative economic systems and international trade.

*Prerequisite:* MATH 55 or MATH 55B and ENG 104 with a minimum grade of C

Web	10038	ONLINE	WEBSTER	06/15-08/06	OP DE1
Web	10856	ONLINE	SHAHBAZI	07/06-08/06	OP DE2

All ECON 2 sections are online courses. For more information, see the section titled "Online Learning" in this schedule, or go to <http://www.laspositascollege.edu/onlinelearning>.

## ENGLISH

### ENG 1A CRITICAL READING AND COMP 3.0 Units

Integrated approach to reading, writing, and critical thinking intended to develop ability to read and write complex, college-level prose. Examination of ideas in relation to individual's worldview and contexts from which these ideas arise. Some research required.

*Prerequisite:* ENG 104 or NENG 204 with a minimum grade of Pass or ESL 25 with a minimum grade of C

Web	10019	ONLINE	COLE	06/22-07/30	GR DE1
Web	10410	ONLINE	DRY	06/22-07/30	GR DE2
Web	10411	ONLINE	BUDD	06/22-07/30	GR DE3
Web	10027	ONLINE	DURAN	06/22-07/30	GR DE4
Web	10015	ONLINE	KAPLAN	06/22-07/30	GR DE5
Web	10016	ONLINE	HANSEN	06/22-07/30	GR DE6
Web	10049	ONLINE	DURAN	06/22-07/30	GR DE7
Web	10032	ONLINE	KAPLAN	06/22-07/30	GR DE8

All ENG 1A sections are online courses. For more information, see the section titled "Online Learning" in this schedule, or go to <http://www.laspositascollege.edu/onlinelearning>.

## EMERGENCY MEDICAL SERVICES

### EMS 16 PARAMEDIC CLINICAL OCCUPATION 3.0 Units

Occupational work experience course that provides instruction to enhance student's knowledge of emergency care in a clinical setting. Students are provided access to adequate numbers of patients, proportionally distributed by illness, injury, gender, age, and common problems encountered in the delivery of emergency care appropriate to the level of the Emergency Medical Services Profession(s). Hospital/clinical experiences include the operating room, recovery room, intensive care unit, coronary care unit, labor and delivery room, pediatrics, and emergency department, and include exposure to an adequate number of pediatric, obstetric, psychiatric, and geriatric patients.

*Prerequisite:* EMS 11, EMS 13, EMS 10 and EMS 12 with a minimum grade of C

Day	10881	By Arr	24.0 Hrs/Wk	TBA	STAFF	05/28-08/08	P/N	Y01
-----	-------	--------	-------------	-----	-------	-------------	-----	-----

### EMS 17 PARAMEDIC CAPSTONE OCCUPATION 1.0 Units

An occupational work experience course that provides practicum experience for paramedic students to observe and participate in emergency medical care supervised by a preceptor in an emergency response vehicle. Requires a minimum of 480 hours, and students must document at least 40 advanced life support (ALS) patient contacts. Student will provide the full continuum of care from initial contact to transfer of care at the receiving facility for half of all ALS contacts. Students must obtain minimum competency as a Team Leader. The field internship provides the student with an opportunity to serve as team leader in a variety of pre-hospital advanced life support emergency medical situations.

*Prerequisite:* EMS 16 with a minimum grade of C

Day	10882	By Arr	48.0 Hrs/Wk	TBA	STAFF	05/28-08/08	P/N	Y01
-----	-------	--------	-------------	-----	-------	-------------	-----	-----

### EMS 30 EMERGENCY MEDICAL RESPONDER 3.0 Units

Development of knowledge and skills necessary for recognizing and caring for victims in emergency situations, including cardiopulmonary resuscitation, patient assessment, cardiopulmonary resuscitation with the use of an automated external defibrillator, and prevention of disease transmission. Designed for emergency medical responders in the public safety field. Successful completion of the psycho-motor skills tests and successful completion of the course with a score of 80%, and achieving a score on the course summative final at (80%) qualifies the student for an Emergency Medical Responder (EMR) Certificate issued by the Emergency Care and Safety Institute (ECSI).

*Strongly Recommended:* EMS 70B with a minimum grade of C

*Students will be assessed a \$7 fee at registration for the ESCI EMR Certificate and Card.*

Web	10607	ONLINE	STAFF	05/26-08/06	GR Y01
-----	-------	--------	-------	-------------	--------

All EMS 30 sections are online courses. For more information, see the section titled "Online Learning" in this schedule, or go to <http://www.laspositascollege.edu/onlinelearning>.

### ENG 4 CRITICAL THINKING/Writing LIT 3.0 Units

Develops critical thinking, reading, and writing skills as they apply to the analysis of fiction, poetry and drama; literary criticism; and related non-fiction from diverse cultural sources and perspectives. Emphasis on the techniques and principles of effective written argument as they apply to literature. Some research required.

*Prerequisite:* ENG 1A with a minimum grade of C

Web	10317	ONLINE	EAGAN	06/22-07/30	GR DE1
Web	10412	ONLINE	NASH	06/22-07/30	GR DE2
Web	10017	ONLINE	BUDD	06/22-07/30	GR DE3
Web	10316	ONLINE	CHIOLIS	06/22-07/30	GR DE4

All ENG 4 sections are online courses. For more information, see the section titled "Online Learning" in this schedule, or go to <http://www.laspositascollege.edu/onlinelearning>.

### ENG 7 CRITICAL THINKING/Writing 3.0 Units

Develops critical thinking, reading, and writing skills as they apply to the textual analysis of primary and secondary book-length works from a range of academic and cultural contexts. Emphasis on the techniques and principles of effective written argument in research-based writing across disciplines.

*Prerequisite:* ENG 1A with a minimum grade of C

Web	10319	ONLINE	MCMICHAEL	06/22-07/30	GR DE1
Web	10018	ONLINE	CONNORS	06/22-07/30	GR DE2
Web	10085	ONLINE	CONNORS	06/22-07/30	GR DE3
Web	10318	ONLINE	CHIOLIS	06/22-07/30	GR DE4

All ENG 7 sections are online courses. For more information, see the section titled "Online Learning" in this schedule, or go to <http://www.laspositascollege.edu/onlinelearning>.

### ENG 32 U.S. WOMEN'S LITERATURE 3.0 Units

Chronicles the expression of U.S. women authors through readings in a variety of genres such as fiction, poetry, drama, and the essay. Study of the works of at least three of the following groups: African Americans, Asian Americans, European Americans, Hispanic Americans, and Native Americans, with a particular focus on the 20th century.

*Prerequisite:* ENG 1A with a minimum grade of C

Web	10562	ONLINE	COLE	06/22-07/30	GR DE1
-----	-------	--------	------	-------------	--------

All ENG 32 sections are online courses. For more information, see the section titled "Online Learning" in this schedule, or go to <http://www.laspositascollege.edu/onlinelearning>.

## ENGLISH AS A SECOND LANGUAGE

### ESL 100 BEGINNING SPELLING FOR ENGLISH 1.0 Units

This is a one semester beginning spelling class, designed to enable English language learners to recognize and use beginning sound/spelling patterns in English, develop an understanding of the sounds and symbols of English, including open/closed syllables, short and long vowel sounds, consonant and consonant cluster sounds, as well as the spelling of homophones and other problem words in everyday English. The course will also focus on basic dictionary skills to improve student autonomy.

Web 10857 ONLINE PODEVYN 06/22-07/30 P/N DEI

All ESL 100 sections are online courses. For more information, see the section titled "Online Learning" in this schedule, or go to <http://www.laspositascollege.edu/onlinelearning>.

### ESL 115 INTERMEDIATE VOCABULARY SKILLS 1.0 Units

This is an intermediate level vocabulary skills class, designed to enable English language learners to improve language proficiency by learning new vocabulary and developing vocabulary-building skills. The class will focus on the 1000-2000 most common words in English, dictionary skills, and intermediate morphology including prefixes, suffixes and roots.

Prerequisite: ESL 131B with a minimum grade of P or placement through assessment or NESL 231B with a minimum grade of P

Web 10858 ONLINE PABLEY 06/15-08/06 P/N DEI

All ESL 115 sections are online courses. For more information, see the section titled "Online Learning" in this schedule, or go to <http://www.laspositascollege.edu/onlinelearning>.

## GEOGRAPHY

### GEOG 1 INTRO TO PHYSICAL GEOGRAPHY 3.0 Units

This course is a spatial study of the Earth's dynamic physical system and processes. Topics include: Earth-sun geometry, weather, climate, water, landforms, soil, and the biosphere with emphasis on spatial characteristics, change over time, interactions between environmental components, and human-environment interactions. Tools of geographic inquiry are also briefly covered; they include maps, remote sensing, Geographic Information Systems (GIS) and Global Positioning Systems (GPS).

Web 10036 ONLINE ORF 06/22-07/30 GR DEI

Web 10106 ONLINE ORF 06/22-07/30 GR DE2

All GEOG 1 sections are online courses. For more information, see the section titled "Online Learning" in this schedule, or go to <http://www.laspositascollege.edu/onlinelearning>.

## GEOLOGY

### GEOG 5 ENVIRONMENTAL GEOLOGY: HAZARDS 3.0 Units

Understanding and planning for the effects of natural hazards and disasters on the earth, the ecosystem and human populations. Content covers the basic natural hazard processes, where and why they occur, as well as considerations for environmental land-use planning. Environmental hazards studied include earthquakes, volcanoes, river systems (including floods and dams), landslides, coastal erosion, tsunamis, sinkholes, etc.

Web 10472 ONLINE CHRISTEN 06/22-07/30 OP DEI

All GEOL 5 sections are online courses. For more information, see the section titled "Online Learning" in this schedule, or go to <http://www.laspositascollege.edu/onlinelearning>.

### GEOL 12 INTRODUCTION TO OCEANOGRAPHY 3.0 Units

Introduction to the oceans, the history of oceanic science, instrumentation and exploration; marine geology including plate tectonics and shoreline processes; physical and chemical properties of sea water; causes and effects of currents, tides, and waves; introduction to the basic types of marine life, the basic marine habitats and ecosystems; distribution of marine resources and the Law of the Sea.

Web 10195 ONLINE HANNA 06/22-07/30 OP DEI

All GEOL 12 sections are online courses. For more information, see the section titled "Online Learning" in this schedule, or go to <http://www.laspositascollege.edu/onlinelearning>.

## HEALTH

### HLTH 1 INTRO TO PERSONAL HEALTH 3.0 Units

An exploration of major health issues and behaviors in the various dimensions of health (physical, emotional, intellectual/mental, social, spiritual, and environmental). Emphasis is placed on individual responsibility for personal health and the promotion of informed, positive health behaviors. Topics include psychological health, mental health, stress management, nutrition, exercise, weight management, chronic and infectious diseases, healthy relationships, sexual health, drug use and misuse, aging, and the health care system.

Web 10222 ONLINE EVERETT 06/22-07/30 OP DEI

Web 10487 ONLINE EVERETT 06/22-07/30 OP DE2

Web 10035 ONLINE SAPSFORD 06/22-07/30 OP DE3

All HLTH 1 sections are online courses. For more information, see the section titled "Online Learning" in this schedule, or go to <http://www.laspositascollege.edu/onlinelearning>.

## HISTORY

### HIST 1 WESTERN CIVILIZATION TO 1600 3.0 Units

Origin and development of civilization in the Mediterranean and its expansion into Europe-the Near East, Greece, Rome and the Middle Ages, Renaissance and the Reformation.

Web 10420 ONLINE RUTKOWSKY 07/06-08/06 GR DEI

All HIST 1 sections are online courses. For more information, see the section titled "Online Learning" in this schedule, or go to <http://www.laspositascollege.edu/onlinelearning>.

### HIST 2 WESTERN CIVILIZATION SINCE 1600 3.0 Units

History of the Modern Western World: Romanticism and the Industrial Revolution to the present.

Web 10347 ONLINE HIGDON 06/22-07/30 GR DEI

All HIST 2 sections are online courses. For more information, see the section titled "Online Learning" in this schedule, or go to <http://www.laspositascollege.edu/onlinelearning>.

### HIST 7 US HIST.THROUGH RECONSTRUCTION 3.0 Units

A survey of United States history from its pre-colonial, indigenous origins through the end of Reconstruction. Emphasis on (1) distinctively American patterns of political, economic, social, intellectual and geographic developments, (2) the interaction amongst and the experiences of diverse racial, ethnic and socioeconomic groups in American History, and (3) the evolution of American institutions and ideals including the U.S. Constitution, the operations of the U.S. government, and the rights and obligations of U.S. citizens under the Constitution.

Web 10003 ONLINE GOUVEIA 06/22-07/30 GR DEI

D/E	CRN	DAYS	TIMES	ROOM	INSTRUCTOR	DATES	CODES	SEC	D/E	CRN	DAYS	TIMES	ROOM	INSTRUCTOR	DATES	CODES	SEC
-----	-----	------	-------	------	------------	-------	-------	-----	-----	-----	------	-------	------	------------	-------	-------	-----

Web	10421		ONLINE		VITALE	06/01-07/02	GR	DE2
Web	10024		ONLINE		WEMEIER	06/22-07/30	GR	DE3

All HIST 7 sections are online courses. For more information, see the section titled "Online Learning" in this schedule, or go to <http://www.laspositascollege.edu/onlinelearning>.

**HIST 8 US HIST. POST-RECONSTRUCTION 3.0 Units**

History of the United States from the post-Civil War period to the present. Emphasis on (1) distinctively American patterns of political, economic, social, intellectual and geographic developments, (2) the framework of California state and local government, and the relationship between state/local government and the federal government.

Web	10034		ONLINE		GOUVEIA	06/01-07/02	GR	DE1
Web	10048		ONLINE		HIGDON	06/15-08/06	GR	DE2
Web	10422		ONLINE		HIGDON	07/06-08/06	GR	DE3
Web	10025		ONLINE		TUELL	06/22-07/30	GR	DE4

All HIST 8 sections are online courses. For more information, see the section titled "Online Learning" in this schedule, or go to <http://www.laspositascollege.edu/onlinelearning>.

## HUMANITIES

**HUMN 10 AMERICAN ARTS AND IDEAS 3.0 Units**

Humanities in the United States. Explored through major works of literature, painting, sculpture, architecture, film, music, philosophy, technology, religion, political and social institutions that reflect the values and meanings of the American cultural experience. Particular attention paid to the experience and contributions of various culture groups (African Americans, Asian-Americans, European-Americans, American Indians, and Latino Americans).

Web	10065		ONLINE		CHIOLIS	06/22-07/30	OP	DE1
Web	10900		ONLINE		CHIOLIS	06/22-07/30	OP	DE2

All HUMN 10 sections are online courses. For more information, see the section titled "Online Learning" in this schedule, or go to <http://www.laspositascollege.edu/onlinelearning>.

**HUMN 28 WORLD MYTHOLOGY 3.0 Units**

Introduction to world mythology, including classical mythology, and the mythic themes recurring in literature, the visual arts, and music. Introduction to the major theories used to evaluate mythology. Exploration of myths about creation, destruction, gods, humans, heroes, tricksters, as well as their origins, variation, historical development, and full expression in ancient times and continued presence in the arts.

Web	10423		ONLINE		CHIOLIS	06/22-07/30	OP	DE1
-----	-------	--	--------	--	---------	-------------	----	-----

All HUMN 28 sections are online courses. For more information, see the section titled "Online Learning" in this schedule, or go to <http://www.laspositascollege.edu/onlinelearning>.

## KINESIOLOGY

**KIN 18A ATHLETIC TRAINING PRACTICUM I 1.0 Units**

Designed to provide clinical experience for students interested in sports-related injury care and prevention. Organization of a clinical facility and management of game day operations. Experiences will include taping for prevention of injury, use of modalities for the treatment and/or rehabilitation of injuries, stretching techniques, identify and manage emergency situations.

Prerequisite: KIN 17 with a minimum grade of C

Web	10880		ONLINE		LE CARA	06/22-07/30	GR	DE1
-----	-------	--	--------	--	---------	-------------	----	-----

All KIN 18A sections are online courses. For more information, see the section

titled "Online Learning" in this schedule, or go to <http://www.laspositascollege.edu/onlinelearning>.

**KIN 31D OFF SEAS.INTERCOLL.MEN'S BBALL 1.0 Units**

Students will practice the skills of passing, dribbling, shooting, cutting, screening and defensive fundamentals that are necessary for competitive basketball play. Students will learn the governing rules of basketball, learn the appropriate terminology used in basketball and the safety procedures related to the game.

Web	10198		ONLINE		GIACOMAZZI	06/22-07/30	GR	DE1
-----	-------	--	--------	--	------------	-------------	----	-----

All KIN 31D sections are online courses. For more information, see the section titled "Online Learning" in this schedule, or go to <http://www.laspositascollege.edu/onlinelearning>.

**KIN 38A PRESEASON INTERC. MEN'S SOCCER 1.0 Units**

Students will work on advanced skills of soccer, such as, kicking, passing, trapping, heading and physical conditioning which are needed for controlled outdoor higher levels of soccer play, discuss and employ basic offensive and defensive strategies and tactics; use and apply the rules governing outdoor soccer play.

Web	10197		ONLINE		CUMBO	07/06-08/06	GR	DE1
-----	-------	--	--------	--	-------	-------------	----	-----

All KIN 38A sections are online courses. For more information, see the section titled "Online Learning" in this schedule, or go to <http://www.laspositascollege.edu/onlinelearning>.

**KIN 40A PRE-SEASON WOMEN'S VOLLEYBALL 1.0 Units**

Preseason preparation for intercollegiate competition in the sport of women's volleyball.

Web	10614		ONLINE		STAFF	05/26-08/06	GR	DE1
-----	-------	--	--------	--	-------	-------------	----	-----

All KIN 40A sections are online courses. For more information, see the section titled "Online Learning" in this schedule, or go to <http://www.laspositascollege.edu/onlinelearning>.

**KIN 41D OFF SEASON WOMEN'S BASKETBALL 1.0 Units**

Students will practice the skills of dribbling, passing, shooting and defense necessary for competitive basketball play; put into practice the governing rules of basketball; learn about the appropriate terminology used in basketball and the safety procedures related to the game.

Web	10615		ONLINE		MORGAN	06/22-07/30	GR	DE1
-----	-------	--	--------	--	--------	-------------	----	-----

All KIN 41D sections are online courses. For more information, see the section titled "Online Learning" in this schedule, or go to <http://www.laspositascollege.edu/onlinelearning>.

**KIN 48A PRE-SEASON WOMEN'S SOCCER 1.0 Units**

Students will practice the skills of kicking, passing, trapping and heading necessary for controlled outdoor defensive strategies and tactics; put into practice the rules governing outdoor soccer play.

Web	10196		ONLINE		CUMBO	07/06-08/06	GR	DE1
-----	-------	--	--------	--	-------	-------------	----	-----

All KIN 48A sections are online courses. For more information, see the section titled "Online Learning" in this schedule, or go to <http://www.laspositascollege.edu/onlinelearning>.

**KIN 61 WATER POLO OFF SEASON TRAINING 0.5 Units**

This course is designed to give students the opportunity to learn and apply specific conditioning skills relating to the game of Water Polo. Instruction will focus on speed, quickness, strength, and cardiovascular conditioning in the pool as they relate to the play of Water Polo. Concepts of dryland training and periodization will be discussed.

Strongly Recommended: KIN WP1 and KIN SW2 with a minimum grade of C

Web	10576		ONLINE		BENNETT	06/15-08/06	OP	DE1
-----	-------	--	--------	--	---------	-------------	----	-----

All KIN 61 sections are online courses. For more information, see the section titled "Online Learning" in this schedule, or go to <http://www.laspositascollege.edu/onlinelearning>.



**KIN GBW GUTS AND BUTTS WORKOUT** **1.0 Units**  
 This course will focus on improving muscle strength and endurance of the abdominals, gluteals, quadriceps, and hamstrings. Functional exercises such as squats, lunges and planks will be utilized.

**Web 10806 ONLINE CUMBO 06/22-07/30 OP DEI**  
 All KIN GBW sections are online courses. For more information, see the section titled "Online Learning" in this schedule, or go to <http://www.laspositascollege.edu/onlinelearning>.

**KIN GF1 GOLF I** **1.0 Units**  
 This is an introductory course to the sport of golf. The course will include the rules, regulations and etiquette of golf, the fundamental swing skills for the long and short game and appropriate club selection. Beg-Intermediate and Intermediate players can benefit from the basic instruction to improve their skill set through the art of practice on the range. The course will be offered at a local golf range and student will be charged a minimal fee for bucket of balls to be used.

**Web 10414 ONLINE SAPSFORD 06/22-07/30 OP DEI**  
 All KIN GF1 sections are online courses. For more information, see the section titled "Online Learning" in this schedule, or go to <http://www.laspositascollege.edu/onlinelearning>.

**KIN GF2 GOLF 2** **1.0 Units**  
 For students who possess the rudimentary skills of golf and aim to improve those abilities. Students will hone their putting, short game, mid-long iron play and driving capabilities. The course is offered at a local driving range who will charge a minimal fee for practice balls.

**Web 10476 ONLINE SAPSFORD 06/22-07/30 OP DEI**  
 All KIN GF2 sections are online courses. For more information, see the section titled "Online Learning" in this schedule, or go to <http://www.laspositascollege.edu/onlinelearning>.

**KIN GF3 GOLF 3** **1.0 Units**  
 Advanced technical aspects of golf match play will be included. Additionally, psychological skills for the elite golfer will be incorporated including visualization, pre-shot routines, relaxation methods and self-talk strategies.

**Web 10477 ONLINE SAPSFORD 06/22-07/30 OP DEI**  
 All KIN GF3 sections are online courses. For more information, see the section titled "Online Learning" in this schedule, or go to <http://www.laspositascollege.edu/onlinelearning>.

**KIN PF PERSONAL FITNESS** **1.0 Units**  
 An independent, self-paced, personal activity program planned and implemented in conjunction with student goals. Based on goals and results of a fitness assessment and health risk appraisal, an individualized program is developed through personal counseling. Programs can include a physical assessment profile, a health risk appraisal, an individualized exercise/activity program, nutrition counseling, health/wellness education, and behavior modification. The student is required to meet with the instructor on campus at the beginning and end of the semester. This is a hybrid class in which the students are assessed and there is a lecture component in the beginning of the class. At the end of the term the students will be reassessed and there will be individual instruction, handouts and another face-to-face lecture.

**Web 10413 ONLINE SAPSFORD 06/22-07/30 OP DEI**  
 All KIN PF sections are online courses. For more information, see the section titled "Online Learning" in this schedule, or go to <http://www.laspositascollege.edu/onlinelearning>.

**KIN WT1 WEIGHT TRAINING I** **1.0 Units**  
 This course provides an introduction to weight training. Students

will learn how to improve muscle strength and muscle endurance through the correct application of basic weight training principles.

**Web 10618 ONLINE STAFF 06/22-07/30 OP DEI**  
 All KIN WT1 sections are online courses. For more information, see the section titled "Online Learning" in this schedule, or go to <http://www.laspositascollege.edu/onlinelearning>.

**KIN WT2 WEIGHT TRAINING 2** **1.0 Units**  
 Weight Training 2 is a continuation course to the Basic course WTW1. The Principles of Training, Level 2 terminology and weight training biomechanics will be presented. Level 2 programs and possible variations will be applied in the prescription of the personal weight training program. The course will incorporate lectures on possible injuries and prevention in a more advanced weight training setting. Implementation of goal setting, tracking, analyzing, progressing individual programs will be included.

*Strongly Recommended: KIN WT1 with a minimum grade of C*  
**Web 10703 ONLINE STAFF 06/22-07/30 OP DEI**  
 All KIN WT2 sections are online courses. For more information, see the section titled "Online Learning" in this schedule, or go to <http://www.laspositascollege.edu/onlinelearning>.

## MASS COMMUNICATIONS

**MSCM 5 INTRO TO MASS COMMUNICATIONS** **3.0 Units**  
 Survey of mass communication and the interrelationships of media with society, including history, structure, and trends in a digital age. Discussion of theories and effects, economics, technology, law and ethics, global media, media literacy, and social issues, including gender and cultural diversity.

*Strongly recommended: Eligibility for ENG 1A. 3 hours lecture. AA/AS GE. Transfer: CSU, UC\*; CSU GE: D7; IGETC: 4G. \*MSCM 5 and 31 combined: max UC credit, one course.*

**Web 10348 ONLINE THOMPSON 07/06-08/06 OP DEI**  
 All MSCM 5 sections are online courses. For more information, see the section titled "Online Learning" in this schedule, or go to <http://www.laspositascollege.edu/onlinelearning>.

**MSCM 31 INTRODUCTION TO MEDIA** **3.0 Units**  
 A survey of radio, television, film and multimedia and their impact on culture and society; includes economics, technological development, programming, ratings, legal aspects, and social control of broadcasting in America, and cross-cultural, international comparisons.

*Strongly Recommended: Eligibility for ENG 1A*  
**Web 10428 ONLINE KORBER 06/01-07/02 OP DEI**  
 All MSCM 31 sections are online courses. For more information, see the section titled "Online Learning" in this schedule, or go to <http://www.laspositascollege.edu/onlinelearning>.

## MATH

- Math Emporium classes..... pg. 29
- Lecture and Hybrid classes ..... pg. 31
- All Concurrent Support ..... pg. 32
- Non-Credit (Tuition-Free) Math Classes and Concurrent Supports ..... pg. 32



## MATH EMPORIUM

The Math Emporium is a mode in which students have the ability to complete their foundational math courses, associate level math courses, and Technical Math sequence in a personalized mode. This mode allows students to self-accelerate through the material in a way that is unique to each student's needs. Students will learn study skills and tips along with the math while working on their lab assignments. Students will decide when they are ready to take a test and take the length of time they need when testing (within the hours of operation).

Students registering for a Math Emporium course are required to purchase and use the internet based soft-ware MyMathLab, which contains an online version of the textbook.

### THE FOLLOWING MATH 53B SECTIONS ARE TAUGHT IN THE MATH EMPORIUM

Web 10645	ONLINE	GRAHAM	06/15-08/06	OP T01
Web 10646	ONLINE	GRAHAM	06/15-08/06	OP T02

All MATH 53B sections are online courses. For more information, see the section titled "Online Learning" in this schedule, or go to <http://www.laspositascollege.edu/onlinelearning>.

### MATH 55 INTERMEDIATE ALGEBRA FOR BSTEM 5.0 Units

Intermediate algebra concepts, in the service of Business, Science, Technology, Engineering and Math (BSTEM) will be explored in this course including: an introduction to functions; linear and absolute value functions; absolute value equations and inequalities; compound linear inequalities; rational expressions, functions and equations; radical expressions, functions and equations; rational exponents; complex numbers; quadratic functions and equations; inverse of a function; exponential and logarithmic functions; properties of logarithms; exponential and logarithmic equations; conic sections; and systems of equations and inequalities. Multiple representations, applications and modeling with functions are emphasized throughout.

Strongly Recommended: MATH 110 or MATH 110B or NMAT 210 with a minimum grade of C

A TI-84 or TI-83 calculator or internet-based software may be required for some sections of this course. There may be fees associated with these materials. Consult with the instructor or bookstore before registering for this course.

### MATH 52A TECH. INTER. ALGEBRA-AUTO A 1.5 Units

This course provides a survey of algebraic processes with an emphasis on applications in the automotive trades. Topics covered include, but are not limited to: algebraic expressions; quadratic functions; and functions. This course may not be used as a prerequisite for any transfer level course.

Prerequisite: MATH 72D with a minimum grade of C

#### THE FOLLOWING MATH 52A SECTIONS ARE TAUGHT IN THE MATH EMPORIUM

Web 10641	ONLINE	GRAHAM	06/15-08/06	OP T01
Web 10642	ONLINE	GRAHAM	06/15-08/06	OP T02

All MATH 52A sections are online courses. For more information, see the section titled "Online Learning" in this schedule, or go to <http://www.laspositascollege.edu/onlinelearning>.

### MATH 52B TECH. INTER. ALGEBRA-AUTO B 1.5 Units

This course provides a survey of algebraic and geometric processes with an emphasis on applications in the automotive trades. Topics covered include, but are not limited to: plane geometry; linear regression, financial mathematics, and measures of central tendency. This course is not intended as a prerequisite for any transfer level course.

Prerequisite: MATH 52A with a minimum grade of C

#### THE FOLLOWING MATH 52B SECTIONS ARE TAUGHT IN THE MATH EMPORIUM

Web 10643	ONLINE	GRAHAM	06/15-08/06	OP T01
Web 10644	ONLINE	GRAHAM	06/15-08/06	OP T02

All MATH 52B sections are online courses. For more information, see the section titled "Online Learning" in this schedule, or go to <http://www.laspositascollege.edu/onlinelearning>.

### MATH 53A TECH. INTER. ALGEBRA-WELDING A 2.0 Units

This course provides a survey of algebraic processes with an emphasis on applications in welding. Topics covered include, but are not limited to: algebraic expressions, plane geometry, the geometry of solids, and triangle trigonometry. This course may not be used as a prerequisite for any transfer level course.

Prerequisite: MATH 72C or MATH 72D with a minimum grade of C

#### THE FOLLOWING MATH 53A SECTIONS ARE TAUGHT IN THE MATH EMPORIUM

Web 10647	ONLINE	GRAHAM	06/15-08/06	OP T01
Web 10648	ONLINE	GRAHAM	06/15-08/06	OP T02

All MATH 53A sections are online courses. For more information, see the section titled "Online Learning" in this schedule, or go to <http://www.laspositascollege.edu/onlinelearning>.

### MATH 53B TECH. INTER. ALGEBRA-WELDING B 1.0 Units

This course provides a survey of algebraic processes with an emphasis on applications in welding. Topics covered include, but are not limited to: quadratic equations, functions, and mathematical models. This course may not be used as a prerequisite for any transfer level course.

Prerequisite: MATH 72D and MATH 53A with a minimum grade of C

### THE FOLLOWING MATH 55 SECTIONS ARE TAUGHT IN THE MATH EMPORIUM

Web 10539	ONLINE	GRAHAM	06/15-08/06	OP X01
Web 10540	ONLINE	GRAHAM	06/15-08/06	OP X02

All MATH 55 sections are online courses. For more information, see the section titled "Online Learning" in this schedule, or go to <http://www.laspositascollege.edu/onlinelearning>.

### MATH 72A TECH. ELEMENTARY ALGEBRA A 1.0 Units

This course provides a survey of computational and elementary algebraic processes with an emphasis on applications in the automotive and welding trades. Topics covered include, but are not limited to: computations with real numbers, ratios, and proportions. This course cannot be used as a prerequisite for Math 50 Core Intermediate Algebra or Math 55 Intermediate Algebra.

#### THE FOLLOWING MATH 72A SECTIONS ARE TAUGHT IN THE MATH EMPORIUM

Web 10651	ONLINE	GRAHAM	06/15-08/06	OP T01
Web 10652	ONLINE	GRAHAM	06/15-08/06	OP T02

All MATH 72A sections are online courses. For more information, see the section titled "Online Learning" in this schedule, or go to <http://www.laspositascollege.edu/onlinelearning>.

### MATH 72B TECH. ELEMENTARY ALGEBRA B 1.0 Units

This course provides a survey of computational and elementary algebraic processes with an emphasis on applications in the automotive and welding trades. Topics covered include, but are not limited to: linear equations, the rectangular coordinate system, and linear equations in two variables. This course cannot be used as a prerequisite for Math 50 Intermediate Algebra.

Prerequisite: MATH 72A with a minimum grade of C

#### THE FOLLOWING MATH 72B SECTIONS ARE TAUGHT IN THE MATH EMPORIUM

Web 10653	ONLINE	GRAHAM	06/15-08/06	OP T01
Web 10654	ONLINE	GRAHAM	06/15-08/06	OP T02

All MATH 72B sections are online courses. For more information, see the section titled "Online Learning" in this schedule, or go to <http://www.laspositascollege.edu/onlinelearning>.

**MATH 72C TECH. ELEMENTARY ALGEBRA C 1.0 Units**

This course provides a survey of computational and elementary algebraic processes with an emphasis on applications in the automotive and welding trades. Topics covered include, but are not limited to: percentages and measurement. This course cannot be used as a prerequisite for Math 50 Core Intermediate Algebra or Math 55 Intermediate Algebra.

*Prerequisite: MATH 72A or MATH 72B with a minimum grade of C*

**THE FOLLOWING MATH 72C SECTIONS ARE TAUGHT IN THE MATH EMPORIUM**

Web	10655	ONLINE	GRAHAM	06/15-08/06	OP X01
Web	10656	ONLINE	GRAHAM	06/15-08/06	OP X02

All MATH 72C sections are online courses. For more information, see the section titled "Online Learning" in this schedule, or go to <http://www.laspositascollege.edu/onlinelearning>.

**MATH 72D TECH. ELEMENTARY ALGEBRA D 1.0 Units**

This course provides a survey of computational and elementary algebraic processes with an emphasis on applications in the automotive and welding trades. Topics covered include, but are not limited to: the rectangular coordinate system, linear equations in two variables, and systems of linear equations. This course cannot be used as a prerequisite for Math 50 Core Intermediate Algebra or Math 55 Intermediate Algebra.

*Prerequisite: MATH 72B and MATH 72C with a minimum grade of C*

**THE FOLLOWING MATH 72D SECTIONS ARE TAUGHT IN THE MATH EMPORIUM**

Web	10657	ONLINE	GRAHAM	06/15-08/06	OP X01
Web	10658	ONLINE	GRAHAM	06/15-08/06	OP X02

All MATH 72D sections are online courses. For more information, see the section titled "Online Learning" in this schedule, or go to <http://www.laspositascollege.edu/onlinelearning>.

**MATH 107 PRE-ALGEBRA 4.0 Units**

This course is intended to serve as a bridge between arithmetic and Elementary Algebra. It includes a review of arithmetic, operations involving signed integers, fractions and decimals, variables and variable expressions, simple linear equations and their graphs, percent and proportion, introduction to statistics, geometry and measurement, and application problems.

**THE FOLLOWING MATH 107 SECTIONS ARE TAUGHT IN THE MATH EMPORIUM**

Web	10541	ONLINE	GRAHAM	06/15-08/06	OP X01
Web	10542	ONLINE	GRAHAM	06/15-08/06	OP X02

All MATH 107 sections are online courses. For more information, see the section titled "Online Learning" in this schedule, or go to <http://www.laspositascollege.edu/onlinelearning>.

**MATH 110 ELEMENTARY ALGEBRA 4.0 Units**

Elementary algebra concepts, including: real numbers and their properties; algebraic expressions; integer exponents; operations with polynomial expressions; operations with polynomial expressions; linear and quadratic equations; linear inequalities and set notation; graphs of linear equations and inequalities; slope; systems of linear equations and inequalities; and modeling with linear and quadratic equations.

*Strongly Recommended: MATH 107 or MATH 107B or NMAT 207 with a minimum grade of C*

**THE FOLLOWING MATH 110 SECTIONS ARE TAUGHT IN THE MATH EMPORIUM**

Web	10661	ONLINE	GRAHAM	06/15-08/06	OP X01
Web	10662	ONLINE	GRAHAM	06/15-08/06	OP X02

All MATH 110 sections are online courses. For more information, see the section titled "Online Learning" in this schedule, or go to <http://www.laspositascollege.edu/onlinelearning>.

**NMAT 207 PRE-ALGEBRA 0.0 Units**

This course is intended to serve as a bridge between arithmetic and Elementary Algebra. It includes a review of arithmetic, operations involving signed integers, fractions, and decimals, variables and proportion, introduction to statistics, geometry and measurement, and application problems. Students can petition to get credit for the credit Math 107 course by examination.

**THE FOLLOWING NMAT 207 SECTIONS ARE TAUGHT IN THE MATH EMPORIUM**

Web	10862	ONLINE	GRAHAM	06/15-08/06	OP X01
Web	10863	ONLINE	GRAHAM	06/15-08/06	OP X02

All NMAT 207 sections are online courses. For more information, see the section titled "Online Learning" in this schedule, or go to <http://www.laspositascollege.edu/onlinelearning>.

**NMAT 210 ELEMENTARY ALGEBRA 0.0 Units**

Elementary algebra concepts, including: real numbers and their properties; algebraic expressions; integer exponents; operations with polynomial expressions; linear and quadratic equations; linear inequalities and set notation; graphs of linear equations and inequalities; slope; systems of linear equations and inequalities; and modeling with linear and quadratic equations. Students can petition to get credit for the Math 110 Elementary Algebra course by examination.

*Strongly Recommended: NMAT 207 or MATH 107 or MATH 107B with a minimum grade of C*

**THE FOLLOWING NMAT 210 SECTIONS ARE TAUGHT IN THE MATH EMPORIUM**

Web	10864	ONLINE	GRAHAM	06/15-08/06	OP X01
-----	-------	--------	--------	-------------	--------

All NMAT 210 sections are online courses. For more information, see the section titled "Online Learning" in this schedule, or go to <http://www.laspositascollege.edu/onlinelearning>.

**NMAT 255 INTERMEDIATE ALGEBRA FOR BSTEM 0.0 Units**

Intermediate Algebra concepts, in the service of Business, Science, Technology, Engineering and Math fields (BSTEM), will be explored in this course including: an introduction to functions; linear and absolute value functions; absolute value equations and inequalities; compound linear inequalities; rational expressions, functions and equations; radical expressions, functions and equations; rational exponents; complex numbers; quadratic functions and equations; inverse of a function; exponential and logarithmic functions; properties of logarithms; exponential and logarithmic equations; conic sections; and systems of equations and inequalities. Multiple representations, applications and modeling with functions are emphasized throughout. Students can petition to get credit for the Math 55 Intermediate Algebra for BSTEM course by examination.

*Strongly Recommended: NMAT 210 or MATH 110 or MATH 110B with a minimum grade of C*

**THE FOLLOWING NMAT 255 SECTIONS ARE TAUGHT IN THE MATH EMPORIUM**

Web	10859	ONLINE	GRAHAM	06/15-08/06	OP X01
Web	10860	ONLINE	GRAHAM	06/15-08/06	OP X02

All NMAT 255 sections are online courses. For more information, see the section titled "Online Learning" in this schedule, or go to <http://www.laspositascollege.edu/onlinelearning>.

## LECTURE AND HYBRID CLASSES

Classes taken in these modes are guided by the instructor. Students in a lecture class will meet 2-3 times a week as scheduled. Students in Hybrid Classes will meet as scheduled and will need to complete the remainder of the course online. Hybrid courses are marked with section IDs of HD#.

Students will be required to purchase internet-based software for hybrid math classes. For more information, see the section titled "Online Learning" in this schedule, or go to <http://www.laspositascollege.edu/onlinelearning>.

For some lecture classes, a TI-84 or TI-83 calculator or internet-based software may be required for some sections of a course. There may be a fee associated with these materials. Consult with the instructor or bookstore before registering for this course.

A TI-84 or TI-83 calculator or internet-based software may be required for some sections of this course. There may be a fee associated with these materials. Consult with the instructor or bookstore before registering for this course.

**Web 10799 ONLINE MUELLER 06/15-08/06 GR DEI**  
All MATH 3 sections are online courses. For more information, see the section titled "Online Learning" in this schedule, or go to <http://www.laspositascollege.edu/onlinelearning>.

### MATH 30 COLLEGE ALGEBRA FOR STEM 4.0 Units

College algebra core concepts relating to Science, Technology, Engineering and Mathematics (STEM) and Business fields are explored, such as: polynomial, rational, radical, exponential, absolute value, and logarithmic functions; systems of equations; theory of polynomial equations; and analytic geometry. Multiple representations, applications and modeling with functions are emphasized throughout. May not receive credit if Mathematics 20 or 45 have been completed.

Prerequisite: MATH 55 or MATH 55B or NMAT 255 with a minimum grade of C

A TI-84 or TI-83 calculator or internet-based software may be required for some sections of this course. There may be fee associated with these materials. Consult with the instructor or bookstore before registering for this course.

**Web 10638 ONLINE MOHEBI 06/15-08/06 GR DEI**  
**Web 10639 ONLINE SINGH 06/15-08/06 GR DE3**

All MATH 30 sections are online courses. For more information, see the section titled "Online Learning" in this schedule, or go to <http://www.laspositascollege.edu/onlinelearning>.

### MATH 34 CALC FOR BUS AND SOC SCIENCES 5.0 Units

Functions and their graphs; limits of functions; differential and integral calculus of algebraic, exponential and logarithmic functions. Applications in business, economics, and social sciences and use of graphing calculators. Partial derivatives and the method of Lagrange multipliers.

Prerequisite: MATH 55 or MATH 55B with a minimum grade of C

A TI-84 or TI-83 calculator or internet-based software may be required. There may be a fee associated with these materials. Consult with the instructor or bookstore before registering for this course.

**Web 10640 ONLINE MAITI 06/15-08/06 GR DE3**  
**Web 10366 ONLINE BLUMENFELD 06/15-08/06 GR DE4**

All MATH 34 sections are online courses. For more information, see the section titled "Online Learning" in this schedule, or go to <http://www.laspositascollege.edu/onlinelearning>.

### MATH 39 TRIGONOMETRY 4.0 Units

Trigonometry includes definitions of the trigonometric functions and their inverses, graphs of the trigonometric functions and their inverses, trigonometric equations, trigonometric expressions and identities, including proofs, an introduction to vectors, polar coordinates and complex numbers. Applications include solving right triangles and solving triangles using the law of sines and the law of cosines.

Prerequisite: MATH 55 or MATH 55B with a minimum grade of C.

A TI-84 or TI-83 calculator or internet-based software may be required for some sections of this course. There may be fee associated with these materials. Consult with the instructor or bookstore before registering for this course.

**Web 10801 ONLINE EDWARDS 06/15-08/06 GR DEI**  
**Web 10481 ONLINE EDWARDS 06/15-08/06 GR DE2**  
**Web 10482 ONLINE HOANG 06/15-08/06 GR DE3**

All MATH 39 sections are online courses. For more information, see the section titled "Online Learning" in this schedule, or go to <http://www.laspositascollege.edu/onlinelearning>.

### MATH I CALCULUS I 5.0 Units

An introduction to single-variable differential and integral calculus including: functions, limits and continuity; techniques and applications of differentiation and integration; the Fundamental Theorem of Calculus; areas and volumes of solids of revolution.

Prerequisite: MATH 30 and MATH 39 or MATH 38 with a minimum grade of C

Math I includes an introduction to integration and its application to areas and volumes. Any student enrolling in this course should be aware that the content may differ from a similar course taught at other schools. If you are not an LPC student, check with the Mathematics Department at your school to be sure this course is similar to the one taught there. This LPC calculus course is taught with late transcendentals.

A TI-84 or TI-83 calculator or internet-based software may be required for some sections of this course. There may be a fee associated with these materials. Consult with the instructor or bookstore before registering for this course.

**Web 10479 ONLINE WARDAK 06/15-08/06 GR DEI**  
**Web 10667 ONLINE NGUYEN 06/15-08/06 GR DE2**

All MATH I sections are online courses. For more information, see the section titled "Online Learning" in this schedule, or go to <http://www.laspositascollege.edu/onlinelearning>.

### MATH 2 CALCULUS II 5.0 Units

Continuation of single-variable differential and integral calculus. Topics covered include: inverse and hyperbolic functions; techniques of integration; polar and parametric equations; infinite sequences, series, power series and Taylor series; applications of integration. Primarily for mathematics, physical science and engineering majors.

Prerequisite: MATH 1 with a minimum grade of C

It is expected that any student enrolling in Math 2 has had a Calculus I course which included an introduction to integration and its application to areas and volumes. This LPC course is taught with late transcendentals.

A TI-84 or TI-83 calculator or internet-based software may be required for some sections of this course. There may be a fee associated with these materials. Consult with the instructor or bookstore before registering for this course.

**Web 10480 ONLINE OLAVARRIETA 06/15-08/06 GR DEI**

All MATH 2 sections are online courses. For more information, see the section titled "Online Learning" in this schedule, or go to <http://www.laspositascollege.edu/onlinelearning>.

### MATH 3 MULTIVARIABLE CALCULUS 5.0 Units

Vector valued functions, functions of several variables, partial differentiation, multiple integration, change of variables theorem, scalar and vector fields, gradient, divergence, curl, line integral, surface integral, Green's Stokes' and divergence theorem, applications.

Prerequisite: MATH 2 with a minimum grade of C

It is expected that any student enrolling in Math 3 has had a Calculus II course. This LPC course is taught with late transcendentals.



**MATH 40 STATISTICS AND PROBABILITY 4.0 Units**

Descriptive statistics, including measures of central tendency, dispersion and position; elements of probability; confidence intervals; hypothesis tests; two-population comparisons; correlation and regression; goodness of fit; analysis of variance; applications in various fields. Introduction to the use of a computer software package to complete both descriptive and inferential statistics problems.

Prerequisites: Math 50 or Math 55 or Math 55B with a minimum grade of C

*A TI-84 or TI-83 calculator or internet-based software may be required for some sections of this course. There may be fee associated with these materials. Consult with the instructor or bookstore before registering for this course.*

Web	10326	ONLINE	MAITI	06/15-08/06	GR DE1
Web	10327	ONLINE	AUGUST	06/15-08/06	GR DE2
Web	10242	ONLINE	FRATES	06/15-08/06	GR DE3
Web	10324	ONLINE	DAUBENMIRE	06/15-08/06	GR DE4
Web	10802	ONLINE	GHANNADAN	06/15-08/06	GR DE5
Web	10325	ONLINE	DAUBENMIRE	06/15-08/06	GR DE6

All MATH 40 sections are online courses. For more information, see the section titled "Online Learning" in this schedule, or go to <http://www.laspositascollege.edu/onlinelearning>.

**MATH 47 MATHEMATICS FOR LIBERAL ARTS 3.0 Units**

An introduction to a variety of mathematical concepts for students interested in liberal arts. Intended to cultivate an appreciation of the significance of mathematics in daily life and help develop students' mathematical reasoning. Topics include personal finance, probability and statistics, logic, exponential growth, and graph theory.

Prerequisite: MATH 55 or MATH 55B or MATH 50 with a minimum grade of C

*A TI-84 or TI-83 calculator or internet-based software may be required for some sections of this course. There may be a fee associated with these materials. Consult with the instructor or bookstore before registering for this course.*

Web	10876	ONLINE	BELAUSTEQUI	06/22-07/30	GR DE1
-----	-------	--------	-------------	-------------	--------

All MATH 47 sections are online courses. For more information, see the section titled "Online Learning" in this schedule, or go to <http://www.laspositascollege.edu/onlinelearning>.

**MATH 55 INTERMEDIATE ALGEBRA FOR BSTEM 5.0 Units**

Intermediate algebra concepts, in the service of Business, Science, Technology, Engineering and Math (BSTEM) will be explored in this course including: an introduction to functions; linear and absolute value functions; absolute value equations and inequalities; compound linear inequalities; rational expressions, functions and equations; radical expressions, functions and equations; rational exponents; complex numbers; quadratic functions and equations; inverse of a function; exponential and logarithmic functions; properties of logarithms; exponential and logarithmic equations; conic sections; and systems of equations and inequalities. Multiple representations, applications and modeling with functions are emphasized throughout.

Strongly Recommended: MATH 110 or MATH 110B or NMAT 210 with a minimum grade of C

*A TI-84 or TI-83 calculator or internet-based software may be required for some sections of this course. There may be fees associated with these materials. Consult with the instructor or bookstore before registering for this course.*

Web	10105	ONLINE	GHANNADAN	06/15-08/06	OP DE1
-----	-------	--------	-----------	-------------	--------

All MATH 55 sections are online courses. For more information, see the section titled "Online Learning" in this schedule, or go to <http://www.laspositascollege.edu/onlinelearning>.

**MATH 156 GEOMETRY 3.5 Units**

Topics include congruence, similarity, right triangles,

trigonometry, circles, expressing geometric properties with equations, geometric measurement and dimension, modeling with geometry, conditional probability and the rules of probability, and using probability to make decisions.

Prerequisite: MATH 110 or NMAT 210 with a minimum grade of C

*This course is intended for students wanting to complete their high school geometry requirement during summer.*

Web	10803	ONLINE	POWERS	06/22-07/30	OP DE1
-----	-------	--------	--------	-------------	--------

All MATH 156 sections are online courses. For more information, see the section titled "Online Learning" in this schedule, or go to <http://www.laspositascollege.edu/onlinelearning>.

**ALL CONCURRENT SUPPORT COURSES**

These STRONGLY RECOMMENDED 1-unit lab courses are aligned with your math course and designed with innovative strategies to provide math and learning support while taking a math course. Whether your math class is foundational or transfer level, the concurrent support provides assistance in understanding the content in your current math course while learning essential study skills necessary to succeed in college courses.

*These classes are offered for credit or tuition-free (noncredit), with the exception of MATH 66C, 67C, and 68C.*

**NMAT 202C CONCURRENT SUPPORT FOR MATH 0.0 Units**

This course is just-in-time concurrent support for students enrolled in a first-level transfer course, such as Statistics, College Algebra, Trigonometry, Business Calculus, Mathematics for Liberal Arts, and Finite Mathematics. The support course is noncredit, open entry/open exit. The content will prepare students for the rigor the transfer math course by teaching learning skills necessary to succeed in college courses as well as review of relevant basic and secondary education prerequisite algebraic and geometric concepts, and more in-depth investigation of core concepts to their concurrent math course. The course design is to meet the needs of a variety of students, such as students who desire formal, regular ongoing learning supports, students wishing to self-place into transfer-level mathematics courses as defined by AB 705, and students who are repeating the course for the second or third time. The support course includes a review of basic and secondary level math relevant to their college-level course, provides study strategies to promote understanding and improve performance, and more in-depth investigation of core concepts that are difficult for students to master and learning skills such as growth mindset, brain research, time management, study skills, test taking, math anxiety and more.

Corequisite: MATH 30 or MATH 39 or MATH 34 or MATH 40 or MATH 47 or MATH 33

Web	10909	ONLINE	HOANG	06/15-08/06	P/N C01
-----	-------	--------	-------	-------------	---------

Web	10910	ONLINE	HOANG	06/15-08/06	P/N C02
-----	-------	--------	-------	-------------	---------

All MATH 202C sections are online courses. For more information, see the section titled "Online Learning" in this schedule, or go to <http://www.laspositascollege.edu/onlinelearning>.

**NON-CREDIT (Tuition-Free) MATH CLASSES and CONCURRENT SUPPORTS**

NMAT courses are tuition free, non-credit mathematics course. Students may enroll in these as many times as desired. Non-credit courses do not count towards credit unit load for the semester. These classes are also offered for credit.

**NMAT 255 INTERMEDIATE ALGEBRA FOR BSTEM 0.0 Units**

Intermediate Algebra concepts, in the service of Business, Science, Technology, Engineering and Math fields (BSTEM), will



D/E	CRN	DAYS	TIMES	ROOM	INSTRUCTOR	DATES	CODES	SEC	D/E	CRN	DAYS	TIMES	ROOM	INSTRUCTOR	DATES	CODES	SEC
-----	-----	------	-------	------	------------	-------	-------	-----	-----	-----	------	-------	------	------------	-------	-------	-----

be explored in this course including: an introduction to functions; linear and absolute value functions; absolute value equations and inequalities; compound linear inequalities; rational expressions, functions and equations; radical expressions, functions and equations; rational exponents; complex numbers; quadratic functions and equations; inverse of a function; exponential and logarithmic functions; properties of logarithms; exponential and logarithmic equations; conic sections; and systems of equations and inequalities. Multiple representations, applications and modeling with functions are emphasized throughout. Students can petition to get credit for the Math 55 Intermediate Algebra for BSTEM course by examination.

*Strongly Recommended: NMAT 210 or MATH 110 or MATH 110B with a minimum grade of C*

**Web 10861 ONLINE GHANNADAN 06/15-08/06 OP DEI**  
 All NMAT 255 sections are online courses. For more information, see the section titled "Online Learning" in this schedule, or go to <http://www.laspositascollege.edu/onlinelearning>.

**NMAT 256 GEOMETRY 0.0 Units**

Topics include congruence, similarity, right triangles, trigonometry, circles, expressing geometric properties with equations, geometric measurement and dimension, modeling with geometry, conditional probability and the rules of probability, and using probability to make decisions.

*Prerequisite: MATH 110 or NMAT 210 with a minimum grade of C*

*This course is intended for students wanting to complete their high school geometry requirement during summer.*

**Web 10883 ONLINE POWERS 06/22-07/30 OP DEI**  
 All NMAT 256 sections are online courses. For more information, see the section titled "Online Learning" in this schedule, or go to <http://www.laspositascollege.edu/onlinelearning>.

## MUSIC

**MUS 3 WORLD MUSIC 3.0 Units**

The study of the folk and art music of world cultures. Includes the traditional music of Sub-Saharan Africa, Middle East, China, Japan, Indonesia, India, Latin America, Europe, and Native America. Attendance at world music concerts is required.

**Web 10787 ONLINE LA BARRE 06/22-07/30 OP DEI**  
 All MUS 3 sections are online courses. For more information, see the section titled "Online Learning" in this schedule, or go to <http://www.laspositascollege.edu/onlinelearning>.

**MUS 5 AMERICAN CULTURES IN MUSIC 3.0 Units**

Music in twentieth century United States through the study of contributions of three selected groups from the following: African-Americans, Latin-Americans, Asian-Americans, European-Americans, and Native Americans. Emphasis on understanding diverse styles, and on integrating these styles into American music. Concert, religious, and folk-pop music will be included.

**Web 10351 ONLINE MARSCHAK 07/06-08/06 OP DEI**  
 All MUS 5 sections are online courses. For more information, see the section titled "Online Learning" in this schedule, or go to <http://www.laspositascollege.edu/onlinelearning>.

**MUS 6 BASIC MUSIC SKILLS 2.0 Units**

Essentials of music through notation, time elements, melody, harmony, and tonality, texture, dynamics and knowledge of the keyboard. Sight singing and ear training.

**Web 10545 ONLINE BROWNE ROSE 06/01-07/02 OP V01**  
 All MUS 6 sections are online courses. For more information, see the section titled "Online Learning" in this schedule, or go to <http://www.laspositascollege.edu/onlinelearning>.

**MUS 13 HISTORY OF ROCK & ROLL 2.0 Units**

A cultural survey of original American music traditions, forms and trends influenced by cultural, socio-economic, socio-political and economic changes including blues, jazz, early rock, the "British invasion," rap, hip hop culture, Latino rock, heavy metal, jazz-rock fusion, electronic, modern rock, and pop.

**Web 10901 ONLINE BROWNE ROSE 06/01-07/02 OP DEI**  
 All MUS 13 sections are online courses. For more information, see the section titled "Online Learning" in this schedule, or go to <http://www.laspositascollege.edu/onlinelearning>.

**MUS 47 COLLEGE PRODUCTIONS-MUSIC 1.0 Units**

Participation in scheduled music productions. Includes music support for drama productions, college musicals, and other major performances. Enrollment is for the duration of the production.

*This class is offered in partnership with the Theater Arts summer production of "Newsies: The Musical." Preparation work will begin online and may move to in-person rehearsals, as necessary for production, at a later date (to be determined). Enrollment by audition only. Newsies potential in-person required rehearsal/performance dates are as follows: Sitzprobe: July 8/9 7-10pm Tech: July 13-16 7-10pm Shows: July 17/18 and July 23/24 7-10pm.*

**Web 10850 ONLINE MCPHERRIN 06/22-07/30 GR DEI**  
 All MUS 47 sections are online courses. For more information, see the section titled "Online Learning" in this schedule, or go to <http://www.laspositascollege.edu/onlinelearning>.

## NUTRITION

**NUTR 1 INTRO TO NUTRITION SCIENCE 3.0 Units**

Scientific concepts of nutrition related to the function of nutrients, sources and recommended intakes. Nutritional assessment and the role of nutrition in the maintenance of health.

*Strongly Recommended: CHEM 30A (completed with a grade of "C" or higher) and MTH 53 (completed with a grade of "C" or higher) and ENGL 1A (completed with a grade of "C" or higher)*

**Web 10243 ONLINE STAFF 06/22-07/30 GR DEI**  
**Web 10323 ONLINE STAFF 06/22-07/30 GR DE2**

All NUTR 1 sections are online courses. For more information, see the section titled "Online Learning" in this schedule, or go to <http://www.laspositascollege.edu/onlinelearning>.

## PHILOSOPHY

**PHIL 1 GOD, NATURE, HUMAN NATURE 3.0 Units**

An exploration of the nature and range of philosophical inquiry in relation to everyday problems of humans as individuals, as citizens, as physical creatures, and as creators of spiritual and artistic works. Philosophical texts are analyzed with special attention given to the development of skills in analysis and argumentation. NOTE: Philosophy 2 and 4 are also introductory courses and may be taken before Philosophy 1 if a more detailed examination of ethical problems, the theory of knowledge, or political philosophy is desired.

*Strongly Recommended: Eligibility for ENG 1A*

**Web 10039 ONLINE ALVAREZ 06/22-07/30 GR DE1**  
**Web 10788 ONLINE ALVAREZ 06/22-07/30 GR DE2**

All PHIL 1 sections are online courses. For more information, see the section titled "Online Learning" in this schedule, or go to <http://www.laspositascollege.edu/onlinelearning>.

D/E	CRN	DAYS	TIMES	ROOM	INSTRUCTOR	DATES	CODES	SEC	D/E	CRN	DAYS	TIMES	ROOM	INSTRUCTOR	DATES	CODES	SEC
-----	-----	------	-------	------	------------	-------	-------	-----	-----	-----	------	-------	------	------------	-------	-------	-----

**PHIL 2 ETHICS 3.0 Units**

This course covers the concepts of morality, values and influential ethical theories. Students taking this course will be required to use philosophical methods to evaluate these theories for themselves and show how these theories can apply to everyday ethical questions.

*Strongly Recommended: Eligibility for ENG 1A*

Web	10424	ONLINE	ALVAREZ	06/15-08/06	GR DEI
Web	10612	ONLINE	YANG	06/22-07/30	GR DE2

All PHIL 2 sections are online courses. For more information, see the section titled "Online Learning" in this schedule, or go to <http://www.laspositascollege.edu/onlinelearning>.

## PHOTOGRAPHY

**PHTO 56 INTRO TO DIGITAL PHOTOGRAPHY 1.5 Units**

The course covers basics for the beginner's use of digital cameras, film and flatbed scanners, and use of Adobe software for image adjustments. Exploration of digital photography compared with traditional photographic approaches and processes. Operation of Adobe digital imaging software for preparation of web site photos and print output, in both black and white and in color.

*Students should have computer that can run Adobe Photoshop and Lightroom. Students should have internet access.*

Web	10789	ONLINE	ANAYA	06/15-08/06	OP DEI
-----	-------	--------	-------	-------------	--------

All PHTO 56 sections are online courses. For more information, see the section titled "Online Learning" in this schedule, or go to <http://www.laspositascollege.edu/onlinelearning>.

**PHTO 58 INTRO TO VIDEOGRAPHY 3.0 Units**

Introduction to the theory and practice of video production and desktop video editing including project production phases, timebased visual and sound design, digitizing footage, video output issues, working creatively in a collaborative environment, industry standards, using a Macintosh computer platform.

*Students should have computer that can run Adobe Photoshop and Lightroom. Students should have internet access.*

Web	10911	ONLINE	ANAYA	06/15-08/06	OP DEI
-----	-------	--------	-------	-------------	--------

All PHTO 58 sections are online courses. For more information, see the section titled "Online Learning" in this schedule, or go to <http://www.laspositascollege.edu/onlinelearning>.

**PHTO 67 HISTORY OF PHOTOGRAPHY 3.0 Units**

A broad chronological survey of photography from its invention to the present. Considers the medium's dual role as technology and art, addresses a multiplicity of photographic themes and purposes, and considers the intersections of photography and technology, history, art, and everyday life.

Web	10552	ONLINE	HORVATH	06/01-07/02	GR DEI
-----	-------	--------	---------	-------------	--------

All PHTO 67 sections are online courses. For more information, see the section titled "Online Learning" in this schedule, or go to <http://www.laspositascollege.edu/onlinelearning>.

## POLITICAL SCIENCE

**POLI 7 INTRO TO AMERICAN GOVERNMENT 4.0 Units**

Introduction to the principles, problems and basic issues of government with particular emphasis on the national government in the United States, including discussion of the American Constitution, and California state and local government.

*Strongly Recommended: Eligibility for ENG 1A*

Web	10037	ONLINE	GOUVEIA	06/15-08/06	OP DEI
-----	-------	--------	---------	-------------	--------

Web	10014	ONLINE	HERTZ	06/22-07/30	OP DE2
-----	-------	--------	-------	-------------	--------

All POLI 7 sections are online courses. For more information, see the section titled "Online Learning" in this schedule, or go to <http://www.laspositascollege.edu/onlinelearning>.

## PSYCHOLOGY COUNSELING

**PCN 10 CAREER AND EDUC. PLANNING 2.0 Units**

Exploration of the concept of career, educational and life planning focusing on personal career development through self-assessment. Emphasis on clarification of individual interests, values, needs, abilities and decision making styles, investigation of occupational opportunities in the world of work, and introduction to job search strategies, resume writing and interview skills. Designed for those undecided or uncertain about their career and educational plans.

Web	10804	ONLINE	CALDERON	06/22-07/30	OP DEI
-----	-------	--------	----------	-------------	--------

All PCN 10 sections are online courses. For more information, see the section titled "Online Learning" in this schedule, or go to <http://www.laspositascollege.edu/onlinelearning>.

**PCN 13 MULTICULTURAL ISSUES:AMERICA 3.0 Units**

Exploration of issues relating to the multicultural community in which we live today. Interpersonal relations and communication. Focus on improving individuals understanding of other cultures and how those cultures impact the American lifestyle. Includes exploration of myths and misunderstandings. Discussion of four specific cultures or sub-cultures from the following groups: 1) African-American, 2) Asian-American, 3) Hispanic-American, 4) Native-American, 5) Middle Eastern-American, 6) European-American, 7) Gay/Lesbian American, 8) Disabled American.

Web	10637	ONLINE	LIRA	06/15-08/06	OP DEI
-----	-------	--------	------	-------------	--------

All PCN 13 sections are online courses. For more information, see the section titled "Online Learning" in this schedule, or go to <http://www.laspositascollege.edu/onlinelearning>.

**PCN 18 UNIVERSITY TRANSFER PLANNING 1.0 Units**

Introduction to the resources and planning process needed to ease transition from community college to a four-year college or university. Development of a transfer action plan. Preparation for major and general education requirements. Application cycles and important deadlines. Recommended for those transferring to four-year colleges or universities.

Web	10620	ONLINE	SCHWARZ	06/22-07/30	OP DEI
-----	-------	--------	---------	-------------	--------

PCN 18 is an online course. For more information, see the section titled "Online Learning" in this schedule, or go to <http://www.laspositascollege.edu/onlinelearning>.

**PCN 30 STUDENT SUCCESS: COLLEGE EXP. 3.0 Units**

This course explores concepts, knowledge, and skills relevant to college success. Students will engage in critical analysis on a variety of topics, including motivation, decision making, interpersonal communication, multicultural awareness, and learning theory. Problem solving strategies will be applied to areas including goal setting, career development, wellness, and accessing campus resources.

Web	10565	ONLINE	SCHWARZ	06/15-08/06	OP DEI
-----	-------	--------	---------	-------------	--------

All PCN 30 sections are online courses. For more information, see the section titled "Online Learning" in this schedule, or go to <http://www.laspositascollege.edu/onlinelearning>.

## PSYCHOLOGY

### PSYC 1 GENERAL PSYCHOLOGY 3.0 Units

Introduces students to the scientific study of behavior and mental processes. Provides an overview of major psychological concepts and theories in such areas as consciousness, learning, memory, motivation, perception, personality, stress, and social behavior.

*Strongly Recommended: Eligibility for ENG 1A with a minimum grade of C*

Web	10192	ONLINE	ROY	06/22-07/30	OP DE1
Web	10193	ONLINE	TURNER-AUGU	06/22-07/30	OP DE2
Web	10194	ONLINE	TURNER-AUGU	06/22-07/30	OP DE3
Web	10321	ONLINE	ONEAL	06/22-07/30	OP DE4
Web	10244	ONLINE	STAMATAKIS	06/22-07/30	OP DE5
Web	10004	ONLINE	KELLER	06/22-07/30	OP DE6

All PSYC 1 sections are online courses. For more information, see the section titled "Online Learning" in this schedule, or go to <http://www.laspositascollege.edu/onlinelearning>.

### PSYC 3 INTRO.TO SOCIAL PSYCHOLOGY 3.0 Units

This course will introduce theories and concepts that explain individual behavior in social settings. The topics include research methods, social perception, social cognition, beliefs, prejudice/discrimination, interpersonal relationships, aggression, and group behavior.

*Strongly Recommended: PSYC 1 with a minimum grade of C*

Web	10471	ONLINE	ROY	06/22-07/30	OP DE1
-----	-------	--------	-----	-------------	--------

All PSYC 3 sections are online courses. For more information, see the section titled "Online Learning" in this schedule, or go to <http://www.laspositascollege.edu/onlinelearning>.

### PSYC 4 BRAIN, MIND, AND BEHAVIOR 3.0 Units

Introduction to the field of biopsychology. The biopsychology of cognitive, perceptual, emotional, developmental, and social processes. Includes the biopsychology of personality, gender, emotions, learning, learning disabilities, drugs, neurological and developmental disorders, and mental health. Examination of information and theory for practical application.

*Prerequisite: PSYC 1 with a minimum grade of C*

Web	10364	ONLINE	BUNDY	06/22-07/30	OP DE1
-----	-------	--------	-------	-------------	--------

All PSYC 4 sections are online courses. For more information, see the section titled "Online Learning" in this schedule, or go to <http://www.laspositascollege.edu/onlinelearning>.

### PSYC 6 ABNORMAL PSYCHOLOGY 3.0 Units

An introduction to mental health and the major mental health disorders in adults and children; includes anxiety, mood, personality, sexual, and psychotic disorders. The course will include the study of the major psychological, biological, and sociocultural models of mental health disorders and their treatment.

Web	10489	ONLINE	BUNDY	06/22-07/30	OP DE1
-----	-------	--------	-------	-------------	--------

All PSYC 6 sections are online courses. For more information, see the section titled "Online Learning" in this schedule, or go to <http://www.laspositascollege.edu/onlinelearning>.

### PSYC 12 LIFE-SPAN PSYCHOLOGY 3.0 Units

Introduction to the psychological, physiological, and socio-cultural factors influencing development from conception through death. Emphasis on the process of normal development and its variations. Examination of theoretical models and research for practical application.

Web	10322	ONLINE	RUYS	06/22-07/30	OP DE1
Web	10371	ONLINE	RUYS	06/22-07/30	OP DE2

All PSYC 12 sections are online courses. For more information, see the section titled "Online Learning" in this schedule, or go to <http://www.laspositascollege.edu/onlinelearning>.

## RELIGIOUS STUDIES

### RELS 1 RELIGIONS OF THE WORLD 3.0 Units

Introduction to religion by examining several religions; basic principles of each shown by fundamental scriptures and works in the visual and musical arts.

Web	10012	ONLINE	TOMLINSON	06/22-07/30	OP DE1
Web	10425	ONLINE	TOMLINSON	06/22-07/30	OP DE2
Web	10790	ONLINE	TOMLINSON	06/22-07/30	OP DE3

All RELS 1 sections are online courses. For more information, see the section titled "Online Learning" in this schedule, or go to <http://www.laspositascollege.edu/onlinelearning>.

## SOCIOLOGY

### SOC 1 PRINCIPLES OF SOCIOLOGY 3.0 Units

The sociological perspective: scientific study of human interaction and society as a whole with emphasis on the impact of groups on social behavior, systematic examination of culture, social organization, and methodology.

Web	10009	ONLINE	THOMPSON	06/22-07/30	GR DE1
Web	10064	ONLINE	THOMPSON	06/22-07/30	GR DE2
Web	10033	ONLINE	THOMPSON	06/22-07/30	GR DE3
Web	10762	ONLINE	HIROSE	06/22-07/30	GR DE4

All SOC 1 sections are online courses. For more information, see the section titled "Online Learning" in this schedule, or go to <http://www.laspositascollege.edu/onlinelearning>.

### SOC 3 CULTURAL AND RACIAL MINORITIES 3.0 Units

Racial and ethnic relations in the United States. Examines the cultural, political, and economic practices and institutions that support or challenge racism, racial and ethnic inequalities, as well as patterns of interaction between various racial and ethnic groups.

*Strongly Recommended: SOC 1 with a minimum grade of C*

Web	10353	ONLINE	HIROSE	06/22-07/30	OP DE1
Web	10426	ONLINE	HIROSE	06/22-07/30	OP DE2

All SOC 3 sections are online courses. For more information, see the section titled "Online Learning" in this schedule, or go to <http://www.laspositascollege.edu/onlinelearning>.

## SPANISH

### SPAN 1A BEGINNING SPANISH 5.0 Units

This introductory level course offers a balanced approach to language and culture. It will enable students to begin speaking, reading and writing elementary level Spanish as well as understanding the spoken language as they explore the culture and countries of the Spanish-speaking world. Students are introduced to concepts of grammar, vocabulary and verb tenses in a variety of auditory, visual and written contexts.

*Strongly Recommended: ENG 1A with a minimum grade of C*

Web	10023	ONLINE	NEVAREZ	06/15-08/06	OP V01
-----	-------	--------	---------	-------------	--------

All SPAN 1A sections are online courses. For more information, see the section titled "Online Learning" in this schedule, or go to <http://www.laspositascollege.edu/onlinelearning>.



## THEATER ARTS

### THEA 48A TECH THEATER PROD-BEGINNING 3.0 Units

Students will gain practical experience in the application of production responsibilities in any of the following: stage management, house management, construction, scenery, properties, costume, lighting, sound and running crews. Enrollment is for the duration of the semester.

*Strongly Recommended:* THEA 50 with a minimum grade of C

Web 10795 ONLINE KELLY 06/15-08/06 OP DEI

THEA 48A is an online course, offered in partnership with the Theater Arts summer production of "Newsies: The Musical." Preparation work will begin online and may move to in-person rehearsals, as necessary for production, at a later date (to be determined). Newsies potential in-person required rehearsal/performance dates are as follows: Sitzprobe: July 8/9 7-10pm Tech: July 13-16 7-10pm Shows: July 17/18 and July 23/24 7-10pm.

### THEA 48B TECH THEATER PROD-INTERMEDIATE 3.0 Units

Participation in scheduled productions and events as crew members and/or construction of said productions technical elements, including lighting and sound implementation. Enrollment is for the duration of the semester. Students may participate in the design and board operation of multiple productions or events per semester.

*Strongly Recommended:* THEA 50 with a minimum grade of C THEA 48A

Web 10796 ONLINE KELLY 06/15-08/06 OP DEI

THEA 48B is an online course, offered in partnership with the Theater Arts summer production of "Newsies: The Musical." Preparation work will begin online and may move to in-person rehearsals, as necessary for production, at a later date (to be determined). Newsies potential in-person required rehearsal/performance dates are as follows: Sitzprobe: July 8/9 7-10pm Tech: July 13-16 7-10pm Shows: July 17/18 and July 23/24 7-10pm.

### THEA 48C TECH THEATER PROD-ADVANCED 3.0 Units

Participation in scheduled productions as designer and/ or assistant designers of said productions technical elements, including scenic, costume, lighting and sound design. Enrollment is for the duration of the semester. Students may participate in more than one production per semester, as needed.

*Prerequisite:* THEA 48A with a minimum grade of C (May be taken concurrently), THEA 50L with a minimum grade of C or THEA 51 or THEA 52 with a minimum grade of C

*Strongly Recommended:* MATH 107 or MATH 107B with a minimum grade of C

Web 10797 ONLINE KELLY 06/15-08/06 OP DEI

THEA 48C is an online course, offered in partnership with the Theater Arts summer production of "Newsies: The Musical." Preparation work will begin online and may move to in-person rehearsals, as necessary for production, at a later date (to be determined). Newsies potential in-person required rehearsal/performance dates are as follows: Sitzprobe: July 8/9 7-10pm Tech: July 13-16 7-10pm Shows: July 17/18 and July 23/24 7-10pm.

### THEA 48D TECH THEATER PROD-MANAGEMENT 3.0 Units

Participation in scheduled productions as manager of productions technical elements, including stage management, house management, and publicity management. Enrollment is for the duration of the semester. Students may participate in more than one production or event per semester.

*Prerequisite:* THEA 48A with a minimum grade of C (May be taken concurrently)

Web 10798 ONLINE KELLY 06/15-08/06 OP DEI

THEA 48D is an online course, offered in partnership with the Theater Arts summer production of "Newsies: The Musical." Preparation work will begin online and may move to in-person rehearsals, as necessary for production, at a later date (to be determined). Newsies potential in-person required rehearsal/performance dates are as follows: Sitzprobe: July 8/9 7-10pm Tech: July 13-16 7-10pm Shows: July 17/18 and July 23/24 7-10pm.

### THEA 50 STAGECRAFT

3.0 Units

An introduction to technical theatre and the creation of scenic elements. Includes basic concepts of design, painting techniques, set construction, set movement, prop construction, backstage organization, and career possibilities. May include stage management, lighting, and/or sound techniques. Lecture, reading, projects, and practical experience.

Web 10483 ONLINE KELLY 06/01-07/02 GR DEI

All THEA 50 sections are online courses. For more information, see the section titled "Online Learning" in this schedule, or go to <http://www.laspositascollege.edu/onlinelearning>.

## WORK EXPERIENCE

### WRKX 94 OCCUPATIONAL WORK EXP/INTERN. 1.0-5.0 Units

This course of supervised employment provides students with the opportunity to earn college credit for developing marketable skills while working in their major field of study. Students working in a part-time or full-time, paid or unpaid internship or position related to their major field of study will contract, in collaboration with their work supervisor and instructor, to set measurable, achievable goals; accomplish new or expanded learning objectives; and broaden work skills and experiences. Students will apply discipline-specific knowledge, skills, and abilities gained in the classroom. Students can earn .5 to 8 units per semester for a maximum of 16 units of Cooperative Work Experience, which includes General Work Experience and Occupational Work Experience/Internship. Students must work 75 paid hours or 60 unpaid hours per unit earned during the semester.

*To enroll in the correct section, you need to determine the number of units you will earn during the semester. Units are based on the number of hours worked per semester. To determine your units, please refer to the Units/Hours/Section Chart at <http://www.laspositascollege.edu/workexperience/faq.php>. WRKX courses require internet access. Students must already have employment or unpaid work. Students are required to attend one orientation and can choose from the following two options:*

*Online Live Orientation on Monday, June 15, 7:00-7:50pm announced in the course on Canvas.*

*Online Live Orientation on Tuesday, June 16, 7:00-7:50pm announced in the course on Canvas.*

Web 10706	ONLINE	LAUFFER	06/15-08/06	OP	DE1
Web 10707	ONLINE	LAUFFER	06/15-08/06	OP	DE2
Web 10708	ONLINE	LAUFFER	06/15-08/06	OP	DE3
Web 10711	ONLINE	LAUFFER	06/15-08/06	OP	DE4
Web 10712	ONLINE	LAUFFER	06/15-08/06	OP	DE5
Web 10914	ONLINE	LAUFFER	06/15-08/06	OP	DE6
Web 10915	ONLINE	LAUFFER	06/15-08/06	OP	DE7
Web 10916	ONLINE	LAUFFER	06/15-08/06	OP	DE8

All WRKX 94 sections are online courses. For more information, see the section titled "Online Learning" in this schedule, or go to <http://www.laspositascollege.edu/onlinelearning>.

### WRKX 95 GENERAL WORK EXPERIENCE 1.0-5.0 Units

This course of supervised employment provides students with the opportunity to earn college credit while working and developing desirable work habits, attitudes, and skills. Students working in any part-time or full-time, paid or unpaid position will contract, in collaboration with their work supervisor and instructor, to set measurable, achievable goals; accomplish new or expanded learning objectives; and broaden work skills and experiences. The work experience need not be related to the students' educational goals. Students can earn .5 to 6 units per semester for a maximum of 16 units of Cooperative Work Experience,



which includes General Work Experience and Occupational Work Experience/Internship. Students must work 75 paid hours or 60 unpaid hours per unit earned during the semester.

To enroll in the correct section, you need to determine the number of units you will earn during the semester. Units are based on the number of hours worked per semester. To determine your units, please refer to the Units/Hours/Section Chart at <http://www.laspositascollege.edu/workexperience/faq.php>. WRKX courses require internet access. Students must already have employment or unpaid work. Students are required to attend one orientation and can choose from the following two options:

Online Live Orientation on Monday, June 15, 7:00-7:50pm announced in the course on Canvas.

Online Live Orientation on Tuesday, June 16, 7:00-7:50pm announced in the course on Canvas.

Web	10419	ONLINE	LAUFFER	06/15-08/06	GR DE1
Web	10578	ONLINE	LAUFFER	06/15-08/06	GR DE2
Web	10579	ONLINE	LAUFFER	06/15-08/06	GR DE3
Web	10709	ONLINE	LAUFFER	06/15-08/06	OP DE4
Web	10710	ONLINE	LAUFFER	06/15-08/06	OP DE5
Web	10917	ONLINE	LAUFFER	06/15-08/06	OP DE6

All WRKX 95 sections are online courses. For more information, see the section titled "Online Learning" in this schedule, or go to <http://www.laspositascollege.edu/onlinelearning>.

Units/Hours/Section Chart			
Units	Total Hours Paid	Total Hours Unpaid	Section (varies for Instructor)
1.0 UNIT	75	60	DE1
2.0 UNITS	150	120	DE2
3.0 UNITS	225	180	DE3
4.0 UNITS	300	240	DE4
5.0 UNITS	375	300	DE5
6.0 UNITS	450	360	DE6
7.0 UNITS*	525	420	DE7
8.0 UNITS*	600	480	DE8

\*Applicable to WRKX 94 only. The semester unit limit for WRKX 94 is 8.0 units. The semester unit limit for WRKX 95 is 6.0 units.

For information, please visit the WRKX website at <http://www.laspositascollege.edu/workexperience/index.php> or contact Instructor Mary Lauffer at [mLauffer@laspositascollege.edu](mailto:mLauffer@laspositascollege.edu).

# Fall 2020 Course Listings

## QUICK REFERENCE GUIDE

	PAGE
Academic Calendar	2
Priority Registration	3
Admission Information	5-6
Course Registration Procedures	7
Waitlist & Class Add Procedures	7
Degree, Certificate, & Transfer Programs	12-13
Summer Course Listings	14-36
Fall Course Listings	40-105
Fees, Payment Plan, and Refunds	118-119
Financial Aid	120
Academic and Student Support Services	121-123
Campus Safety and Security	127-129

### IMPORTANT ENROLLMENT INFORMATION

*~ Please pay close attention to course deadline dates ~*

These dates may vary for some courses (*such as Late Start and Fast Track*). Complete the following steps to check the deadline dates to add a course, drop with NGR (no-grade-of-record), get a refund, pass/no pass and withdrawal:

### How to check a class for Add, Drop NGR, Refund, Pass/No Pass and Withdrawal Deadlines

1. Log into CLASS-Web
2. Select the "Student Services" tab
3. Click the "Registration" link
4. Click the "Check Class Deadlines" link
5. Enter the CRN

All registration notices, Financial Aid, and general College information will be sent to your ZONEmail Account. Check it regularly.

# HOW TO READ THE COURSE LISTINGS

D/E	CRN	DAYS	TIMES	ROOM	INSTR	DATES	CODES	SEC
-----	-----	------	-------	------	-------	-------	-------	-----

ANTH 1 PHYSICAL ANTHROPOLOGY 3.0 UNITS

Humans as a biological species through an examination of fossil evidence for human evolution, behavior of nonhuman primates, and human evolutionary biology and genetics. Current anthropological issues such as the biological meaning of race, genetic diseases, and the influence of evolution on human behavior. CAN ANTH 2

Day	20757	MW	12:30-1:45	2206	TARTE	08/17-12/20	OP	V01
Eve	20978	Wed	7:00-9:50	2206	TARTE	08/17-12/20	OP	093
Sat	12752	Sat	7:30-10:20	2206	ADAMS	08/17-12/20	OP	WEI

**1 COURSE TYPES:**  
Indicates Day, Evening, Saturday, or Web class. Evening classes are shaded Web classes are in blue

**CRN:**  
Course Registration Number needed to register for a specific class on CLASS-Web.

**2 DAYS:**  
Indicates which days the course is offered.

**TIMES:**  
Indicates the time of day or evening the class is held.  
  
NOTE:  
**Course conflict/overlap:**  
Students may not enroll in two classes that meet during any part of the same hour.

**3 ROOM:**  
Indicates the ROOM NUMBER in which class is held.

**4 INSTR:**  
Indicates the INSTRUCTOR for the class.

**5 DATES:**  
Indicates the START & END DATES in which class is offered

**6 GRADE OPTIONS:**  
Indicates whether the course may be taken as a:  
GR: letter grade only  
P/NP: pass/no pass  
OP: choice of either pass/no pass, or letter grade.

**8** Indicates UNIT VALUE

**7 SEC:**  
Indicates the SECTION NUMBER

## Explanation of Terms used in the Course Listings:

### 1 COURSE TYPES

- Day** Indicates the course meets between 7am and 4pm
- Eve** Indicates the course meets between 4pm and 10pm
- Sat** Indicates the course meets on the weekend
- Web** Indicates the course is an online, web-based course

### 2 MEETING DAYS

- M / Mon** = Monday
- T / Tue** = Tuesday
- W / Wed** = Wednesday
- Th / Thu** = Thursday
- F / Fri** = Friday
- S / Sat** = Saturday
- S / Sun** = Sunday
- Daily** = Monday thru Friday

### 3 ROOMS

Refer to campus map on p. 133 for room and building locations  
(\* ) indicates a course is held off-campus (see p. 132 for a list of Off-Campus Instructional Sites)

### 4 INSTRUCTORS

Courses with a **STAFF** notation did not have an instructor assigned at the time this schedule was printed. Refer to CLASS-Web for most current information.

### 5 DATES

- Full-term** courses meet from Aug 17-Dec 18
- Late Start** courses meet from Sept 8-Dec 18
- Fast Track** courses meet from Aug 17-Oct 9 or Oct 12-Dec 11

NOTE: Start and end dates for a course affect deadlines such as add, drop, and census. See page 38 for instructions on how to find these dates for each course.

### 6 GRADE OPTIONS

- GR** Course must be taken for letter grade (no pass/no pass).
- OP** Course may be taken for letter grade OR pass/no pass.
- P/NP** Course must be taken for pass/no pass (no letter grade).

### 7 SECTION NUMBERS

- 091** AJ Program
- 093** Regular Evening class (starts 4pm or later)
- 100** AJ Academy section
- API** Apprenticeship
- C01** Corequisite Paired Course
- CEI** Credit by Exam
- DEI** Fully Online
- FTI** Fast Track 1
- FT2** Fast Track 2
- FSA** College Foundation
- HDI** Hybrid - 51% DE (course meets 51% or more online)
- HSI** High school (grant-funded)
- HYI** Hybrid - (course meets less than 51% online)
- LCI** ECD Learning Community
- LDI** Late Start - Hybrid 51% DE
- LEI** Late Start - Evening class
- LHI** Late Start - Hybrid
- LOI** Late Start - DE (fully online)
- LSI** Late Start - Day class
- M01** Math Jam
- N01** NonCredit - Day class
- N93** NonCredit - Evening class
- P01** Puente Program
- STI** Alternate Instruction
- T01** Technical Math: Emporium Mode
- V01** Regular Day class
- VTI** Veteran Program
- VCI** Valley Charter
- WEI** Saturday class
- WLC** Weekend ECD Learning Community
- X01** Math Emporium Mode

### 8 UNITS

Indicates unit value of each course.

# FALL 2020 COURSE LISTINGS

## PREREQUISITE:

means a condition of enrollment that a student is required to meet in order to demonstrate current readiness for enrollment in a course or educational program.

## STRONGLY RECOMMENDED:

means a condition of enrollment which a student is advised, but not required, to meet before, or in conjunction with enrollment in a course or educational program.

## COREQUISITE:

means a condition of enrollment consisting of a course which a student is required to take simultaneously with another course.

## “STAFF” NOTATION:

As courses are assigned to instructors, the updates will be posted on CLASS-Web and The ZONE

**SHADING** indicates Evening classes

**ONLINE & HYBRID** classes are noted in blue

**NON-CREDIT** classes are noted in green

\*Courses are open to all students who meet the academic requirements.

\*All course information is subject to change

\*Courses not meeting enrollment requirements may be cancelled

**Courses, dates, and times are subject to change. Please check the college website at [www.laspositascollege.edu](http://www.laspositascollege.edu) for the most up-to-date information regarding Fall course offerings.**

CODES: OP = Course taken for letter grade or pass/no pass; P/NP = Course taken is Pass/No Pass only; GR = Course taken for letter grade only

D/E	CRN	DAYS	TIMES	ROOM	INSTRUCTOR	DATES	CODES	SEC	D/E	CRN	DAYS	TIMES	ROOM	INSTRUCTOR	DATES	CODES	SEC
-----	-----	------	-------	------	------------	-------	-------	-----	-----	-----	------	-------	------	------------	-------	-------	-----

## ADMINISTRATION OF JUSTICE

### AJ 50 INTRO TO ADMIN OF JUSTICE 3.0 Units

History and philosophy of administration of justice in America; recapitulation of the system; identifying the various subsystems, role expectations, and their interrelationships; theories of crime, punishment, and rehabilitation; ethics, education and training for professionalism in the system.

Day	20235	MW	12:30-1:45	2206	MCQUISTON	08/17-12/18	OP	V01
Eve	20316	Wed	5:00-7:50	2206	MCQUISTON	08/17-12/18	OP	093

### AJ 54 INVESTIGATIVE REPORTING 3.0 Units

Investigative reports with emphasis upon accuracy and details necessary. Includes arrest reports, incident reports, and miscellaneous field reports. Techniques and methods used to cover information; how to analyze and present information in a clear and concise report.

*Strongly Recommended: ENG 1A with a minimum grade of C.*

Day	22070	TTh	12:30-1:45	2206	MCQUISTON	08/17-12/18	GR	V01
-----	-------	-----	------------	------	-----------	-------------	----	-----

### AJ 60 CRIMINAL LAW 3.0 Units

Historical development, philosophy of law and constitutional provisions, definitions, classification of crime, and their application to the system of administration of justice; frequently used Penal Code and other code sections; case law, methodology, and concepts of law as a social force.

Eve	21028	Tue	6:00-8:50	2490	MEEHAN	08/17-12/18	GR	093
-----	-------	-----	-----------	------	--------	-------------	----	-----

*AJ 60-093 is open to all students but has an optional embedded honors component.*

*Students who qualify for the Honors Transfer Program may take it for honors credit.*

*See instructor and visit <http://www.laspositascollege.edu/honors>*

### AJ 63 CRIMINAL INVESTIGATION 3.0 Units

This course addresses the techniques, procedures, and ethical issues in the investigation of crime, including organization of the investigative process, crime scene searches, interviewing and interrogating, surveillance, source of information, utility of evidence, scientific analysis of evidence and the role of the investigator in the trial process.

Eve	20327	Wed	7:00-9:50	2206	STEWART	08/17-12/18	GR	093
-----	-------	-----	-----------	------	---------	-------------	----	-----

### AJ 64 PATROL PROCEDURES 3.0 Units

Responsibilities, techniques of observation, community relations and methods of police patrol. Emphasis on legal practical aspects.

Day	20469	TTh	2:00-3:15	2206	MCQUISTON	08/17-12/18	GR	V01
-----	-------	-----	-----------	------	-----------	-------------	----	-----

### AJ 70 COMMUNITY RELATIONS 3.0 Units

This course examines the complex, dynamic relationship between communities and the justice system in addressing crime and conflict with an emphasis on the challenges and prospects of administering justice within a diverse multicultural population. Topics may include the consensus and conflicting values in Culture, Religion, and Law.

Eve	20236	Th	4:00-6:50	2206	SPILLER	08/17-12/18	GR	093
-----	-------	----	-----------	------	---------	-------------	----	-----

### AJ 74 GANGS AND DRUGS 3.0 Units

Definition of a gang and gang activity. Historical and cultural aspects. Interrelationships among local, national and international gangs, including prison gangs. Gang activity in relation to drug trafficking.

Eve	22719	Wed	4:00-6:50	2205	HARTER	08/17-12/18	OP	093
-----	-------	-----	-----------	------	--------	-------------	----	-----

### AJ 78 INTRO TO PROBATION AND PAROLE 3.0 Units

The history, evolution and current state of probation and parole in the United States, with an emphasis on the differences and similarities of both. Modern trends, such as the justice model, determinate sentencing, restorative justice, “broken windows” supervision, and intensive supervision in the adult and juvenile system are also examined. The course includes discussion of the community resources that can be brought to bear on the correctional task and the concept of shock probation. Designed for students interested in the field of law enforcement or probation/parole.

*Strongly Recommended: AJ 50 with a minimum grade of C*

Eve	23651	Mon	6:00-8:50	2205	LEWIS	08/17-12/18	GR	093
-----	-------	-----	-----------	------	-------	-------------	----	-----

### AJ 9965 INTERNAL AFFAIRS INVESTIGATION 1.5 Units

Designed to teach the student the proper investigative techniques into alleged misconduct by California peace officers, correctional officers and others in the employ of any California agency that employs peace officers. The student will learn the legal, ethical, moral and technical standards by which these investigations shall be conducted under state law and the discipline that may



D/E	CRN	DAYS	TIMES	ROOM	INSTRUCTOR	DATES	CODES	SEC	D/E	CRN	DAYS	TIMES	ROOM	INSTRUCTOR	DATES	CODES	SEC
-----	-----	------	-------	------	------------	-------	-------	-----	-----	-----	------	-------	------	------------	-------	-------	-----

result from the outcome. This class is designed for POST certified peace officers who hold a minimum of a basic POST certificate or civilian police employees who have been designated by their respective agency as an IA investigator.

Day	22157	WThF	8:00-5:00	*	STAFF	08/17-12/18	P/N	091
Day	22511	MTW	8:00-5:00	*	STAFF	08/17-12/18	P/N	092

\*This course will meet offsite at the Alameda County Sheriff's Office Regional Training Center located at 6289 Madigan Road, Dublin, CA 94568. To initiate enrollment for this course, or get further information, contact the Regional Training Center at 925-551-6970 or <http://www.sheriffacademy.com>

**AJ 9969 FIREARMS INSTRUCTOR 2.5 Units**

Designed to train individuals to be firearms instructors. Covers basic firearms knowledge, teaching techniques and lesson planning, range preparation, combat shooting techniques and safety. A California Peace Officer Standards and Training (POST) certified course designed for full-time peace officers.

Day	23287	By Arr	13.5 Hrs/Wk	*	STAFF	08/17-12/18	P/N	091
Lab	By Arr	27.0 Hrs/Wk	*			08/17-12/18	P/N	

\*offsite room meets at SANTA RITA JAIL 5325 BRODER BLVD. DUBLIN, CA

**AJ 9980 RIFLE MARKSMANSHIP & SNIPER 2.0 Units**

A course designed to provide the necessary rifle and tactical skills for the Sniper/Observer to function in support of high-risk law enforcement operations. Course content includes team missions, organization, marksmanship skills, field craft, ballistics, information collection, reporting procedures and tactical command post. This is a California Peace Officers Standards and Training (POST) certified course designed for regular or reserve peace officers in federal, state, or local law enforcement.

Day	23286	By Arr	27.0 Hrs/Wk	*	STAFF	08/17-12/18	P/N	091
Lab	By Arr	27.0 Hrs/Wk	*			08/17-12/18	P/N	

\*offsite room meets at SANTA RITA JAIL 5325 BRODER BLVD. DUBLIN, CA

**AJ 9982 PATROL RIFLE INSTRUCTOR 1.5 Units**

Instruction and practical exercises focused on the specific needs of the rifle instructor. Includes the use and application of the rifle as it pertains to law enforcement and the skills to instruct others in its use and maintenance. A California Peace Officers Standards and Training (POST) certified course designed for full-time peace officers.

Day	23285	By Arr	18.0 Hrs/Wk	*	STAFF	08/17-12/18	P/N	091
Lab	By Arr	27.0 Hrs/Wk	*			08/17-12/18	P/N	

\*offsite room meets at SANTA RITA JAIL 5325 BRODER BLVD. DUBLIN, CA

**AJ 9987 BASIC S.W.A.T. 2.5 Units**

Introduces officers to basic weapons and tactical skills associated with the responsibilities of a SWAT team member. Training includes member selection and team make-up, keys to survival, introduction to tactical weapons and movement of fire, weapon retention and take away, tactical building searches, rappelling, incident management under SMEAC and liability issues. This is a California Peace Officer Standards and Training (POST) certified course designed for full-time peace officers approved for SWAT training for their agency.

Day	23288	By Arr	13.5 Hrs/Wk	*	STAFF	08/17-12/18	P/N	091
Lab	By Arr	27.0 Hrs/Wk	*			08/17-12/18	P/N	

\*offsite room meets at SANTA RITA JAIL 5325 BRODER BLVD. DUBLIN, CA

**AJ 9998 POST BASIC SUPERVISORY 4.5 Units**

This course will cover the basic theories of leadership as they apply to problem-solving. The principles of authority and command will also be explored; as will the concept of failure as it relates to organizational decision-making. Examples will be offered from various models of leadership, including historic leadership styles, command and control, and leadership roles. Problem-solving/decision-making and strategic planning are current themes to be covered in the context of leadership.

*Prerequisite: AJ 9997 with a minimum grade of Pass or Possession of a Basic California POST Certificate*

Day	21823	By Arr	40.5 Hrs/Wk	*	STAFF	10/19-10/30	P/N	091
Day	21824	By Arr	40.5 Hrs/Wk	*	STAFF	11/30-12/11	P/N	092

\*This course will meet offsite at the Alameda County Sheriff's Office Regional Training Center located at 6289 Madigan Road, Dublin, CA 94568. To initiate enrollment for this course, or get further information, contact the Regional Training Center at 925-551-6970 or <http://www.sheriffacademy.com>

## AMERICAN SIGN LANGUAGE

45 C.E. UNITS FOR RN/LVN AVAILABLE FOR COMPLETION OF ASL 1A, 1B, OR 2B

**ASL 1A AMERICAN SIGN LANGUAGE I 3.0 Units**

Introduction to American Sign Language (ASL) including expressive and receptive sign, the manual alphabet, facial expression, and body gestures. Emphasis on conversational skills in functional situations, knowledge of Deaf culture and the Deaf community.

Day	20486	MW	11:00-12:15	2480	RUSO	08/17-12/18	GR	V01
Day	22164	MW	9:30-10:45	1060	RUSO	08/17-12/18	GR	V02
Eve	20320	TTh	5:30-6:45	2450	COLE	08/17-12/18	GR	093

**ASL 1B AMERICAN SIGN LANGUAGE II 3.0 Units**

Continued development of American Sign Language (ASL) receptive/expressive skills and knowledge learned in ASL 1A. Emphasis on conversational skills in functional situations, continued vocabulary and sentence structure expansion, and knowledge of Deaf culture and the Deaf community.

*Prerequisite: ASL 1A with a minimum grade of C*

Eve	21610	Th	7:00-9:50	2450	COLE	08/17-12/18	GR	093
-----	-------	----	-----------	------	------	-------------	----	-----

**ASL 2A AMERICAN SIGN LANGUAGE III 3.0 Units**

Further development of American Sign Language (ASL) receptive/expressive skills and knowledge learned in ASL 1B. Emphasis on conversational skills in functional situations, continued vocabulary expansion and knowledge of Deaf culture and the Deaf community.

*Prerequisite: American Sign Language 1B (with a grade of "C" or higher).*

Eve	20319	Tue	7:00-9:50	2450	COLE	08/17-12/18	GR	093
-----	-------	-----	-----------	------	------	-------------	----	-----

## ANTHROPOLOGY

**ANTR 1 BIOLOGICAL ANTHROPOLOGY 3.0 Units**

This course introduces the concepts, methods of inquiry, and scientific explanations for biological evolution and their application to the human species. Issues and topics will include, but are not limited to, genetics, evolutionary theory, human variation and biocultural adaptations, comparative primate anatomy and behavior, and the fossil evidence for human evolution. The scientific method serves as foundation of the course. The course may include a lab component.

*Strongly Recommended: Eligibility for ENG 1A*

Day	22358	MW	9:30-10:45	1061	HASTEN	08/17-12/18	OP	V01
Day	20811	TTh	9:30-10:45	1011	HASTEN	08/17-12/18	OP	V02
Day	20812	TTh	11:00-12:15	1061	STAFF	08/17-12/18	OP	V03
Day	20813	TTh	12:30-1:45	1061	STAFF	08/17-12/18	OP	V04
Day	21850	Fri	9:00-11:50	1061	KOHLER	08/17-12/18	OP	V05
Eve	20814	Th	7:00-9:50	1061	CEARLEY	08/17-12/18	OP	093
Web	21851	ONLINE			MURRAY	08/17-12/18	OP	DEI

*ANTR 1-DEI is an online course. For more information, see the section titled "Online Learning," or go to <http://www.laspositascollege.edu/onlinelearning>.*

D/E	CRN	DAYS	TIMES	ROOM	INSTRUCTOR	DATES	CODES	SEC	D/E	CRN	DAYS	TIMES	ROOM	INSTRUCTOR	DATES	CODES	SEC
-----	-----	------	-------	------	------------	-------	-------	-----	-----	-----	------	-------	------	------------	-------	-------	-----

**ANTR 1L BIOLOGICAL ANTHROPOLOGY LAB 1.0 Units**

This laboratory course is offered as a supplement to Introduction to Biological Anthropology either taken concurrently or in a subsequent term. Laboratory exercises are designed to introduce students to the scientific method and explore genetics, human variation, human and non-human primate anatomy and behavior, the primate/hominin fossil record and other resources to investigate processes that affect human evolution.

*Prerequisite: ANTR 1 with a minimum grade of C (May be taken concurrently)*

*Strongly Recommended: Eligibility for ENG 1A*

Day	20815	Lab Mon	2:00-4:50	1061	OTTE	08/17-12/18	OP	V01
Day	20816	Lab Tue	2:00-4:50	1061	CEARLEY	08/17-12/18	OP	V02
Day	21744	Lab Fri	12:00-2:50	1061	KOHLER	08/17-12/18	OP	V03
Day	23659	Lab Mon	9:30 -12:20	1061	KOHLER	08/17-12/18	OP	V04
Day	23660	Lab Tue	9:30 -12:20	1061	STAFF	08/17-12/18	OP	V05
Day	23661	Lab Wed	9:30 -12:20	tba	KOHLER	08/17-12/18	OP	V06
Day	23662	Lab Th	9:30 -12:20	1061	STAFF	08/17-12/18	OP	V07
Day	23663	Lab Wed	3:00 - 5:50	1061	OTTE	08/17-12/18	OP	V08
Eve	22526	Lab Wed	6:30-9:20	1061	THOMAS	08/17-12/18	OP	V09

**ANTR 2 INTRODUCTION TO ARCHAEOLOGY 3.0 Units**

This course is an introduction to the study of concepts, theories, data and models of anthropological archaeology that contribute to our knowledge of the human past. The course includes a discussion of the nature of scientific inquiry; the history and interdisciplinary nature of archaeological research; dating techniques; methods of survey, excavation, analysis, and interpretation; cultural resource management; professional ethics; and selected cultural sequences.

*Strongly Recommended: Eligibility for ENG 1A*

Day	22359	MW	12:30-1:45	1061	CEARLEY	08/17-12/18	OP	V01
-----	-------	----	------------	------	---------	-------------	----	-----

**ANTR 3 CULTURAL ANTHROPOLOGY 3.0 Units**

This course explores how anthropologists study and compare human culture. Cultural anthropologists seek to understand the broad arc of human experience focusing on a set of central issues: how people around the world make their living (subsistence patterns); how they organize themselves socially, politically and economically; how they communicate; how they relate to each other through family and kinship ties; what they believe about the world (belief systems); how they express themselves creatively (expressive culture); how they make distinctions among themselves such as through applying gender, racial and ethnic identity labels; how they have shaped and been shaped by social inequalities such as colonialism; and how they navigate culture change and processes of globalization that affect us all. Ethnographic case studies highlight these similarities and differences, and introduce students to how anthropologists do their work, employ professional anthropological research ethics and apply their perspectives and skills to understand humans around the globe.

*Strongly recommended: Eligibility for ENG 1A.*

Day	20817	TTh	12:30-1:45	1011	HASTEN	08/17-12/18	OP	V01
-----	-------	-----	------------	------	--------	-------------	----	-----

**ANTR 5 CULTURES OF THE U.S. IN GLOBAL 3.0 Units**

Issues relevant to understanding race, class, gender and ethnicity within the American setting. Historical as well as contemporary situation of the following groups: 1) African Americans; 2) Native Americans; 3) Hispanic Americans; 4) European Americans; and, 5) Asian Americans, among other groups. Emphasis on analyzing the way that public understandings of culture and biology are translated into social policy. Contemporary social issues such as race relations, multiculturalism, affirmative action, bilingual education, and the use and abuse of I.Q. testing.

Day	22666	MW	11:00-12:15	1056	MURRAY	08/17-12/18	OP	V01
-----	-------	----	-------------	------	--------	-------------	----	-----

**ANTR 12 MAGIC/RELIGION/WITCHCRAFT/HEAL 3.0 Units**

Cross-cultural perspectives on spirituality, religious practice, myth, ancestor beliefs, witchcraft and the variety of religious rituals and practitioners found in the cultures of the world. Examination of the cosmologies of different cultures through the anthropological perspective. Emphasis is placed on how knowledge of the religious practices and beliefs of others can help us to understand the multicultural world in which we live. Comparison of the ways in which diverse cultures confront the large and fundamental questions of existence: those dealing with the meaning life, birth and death, and with the relationship of humans to each other and to their universe.

*Strongly Recommended: Eligibility for ENG 1A/1AEX*

Day	21367	TTh	12:30-1:45	1056	CEARLEY	08/17-12/18	GR	V01
-----	-------	-----	------------	------	---------	-------------	----	-----

**ANTR 13 INTRO TO FORENSIC ANTHROPOLOGY 3.0 Units**

Introductory course in the application of physical anthropology to the medico-legal process with an emphasis on the identification of human skeletal remains. Includes basic human osteology and odontology, assessment of age at time of death, sex, ancestry, trauma analysis, pathology, and general physical characteristics including height and weight based upon minimal skeletal remains. Estimation of time since death, crime scene analysis, animal scavenging, and identification procedures.

*Strongly Recommended: Eligibility for ENG 1A*

Day	20819	Th	2:00-4:50	1061	CEARLEY	08/17-12/18	OP	V01
-----	-------	----	-----------	------	---------	-------------	----	-----

## ART - HISTORY -

**ARHS 1 INTRO TO ART HISTORY 3.0 Units**

Architecture, sculpture, painting, photography and design in relation to human inventiveness in providing for material and aesthetic needs. This course provides a general introduction to art that offers a look at works of art through the study of theory, terminology, themes, design principles, media, techniques, with an introduction to art that offers a look at works of art through the study of theory, terminology, themes, design principles, media, techniques, with an introduction to the visual arts across time and diverse cultures. 3 hours lecture.

*Strongly Recommended: Eligibility for ENG 1A*

**STUDENTS MAY TAKE ART HISTORY COURSES IN ANY ORDER**

Day	20641	MW	12:30-1:45	1056	RENTERIA	08/17-12/18	OP	V01
-----	-------	----	------------	------	----------	-------------	----	-----

Eve	22473	Tue	4:00-6:50	1008	RENTERIA	08/17-12/18	OP	093
-----	-------	-----	-----------	------	----------	-------------	----	-----

**ARHS 2 ART OF THE ANCIENT AMERICAS 3.0 Units**

Survey of visual culture within the historical context of and South America up to European contact.

*Strongly Recommended: ENG 1A with a minimum grade of C*

**STUDENTS MAY TAKE ART HISTORY COURSES IN ANY ORDER**

Day	22667	TTh	12:30-1:45	1060	RENTERIA	08/17-12/18	OP	V01
-----	-------	-----	------------	------	----------	-------------	----	-----

**ARHS 4 WESTERN ART HISTORY-ANCIENT 3.0 Units**

History of Western art from prehistoric times through Egyptian, Mesopotamian, Aegean, Greek, Etruscan, Roman, Early Christian, Byzantine, Medieval, Romanesque, and Gothic civilizations.

*Strongly Recommended: Eligibility for ENG 1A*

**STUDENTS MAY TAKE ART HISTORY COURSES IN ANY ORDER**

Day	20642	MW	11:00-12:15	503	RENTERIA	08/17-12/18	OP	V01
-----	-------	----	-------------	-----	----------	-------------	----	-----

**ARHS 5 WESTERN ART HIST-RENAISSANCE 3.0 Units**

History of Western art from Early Renaissance, High Renaissance, Mannerism, Baroque, Neoclassicism, Romanticism, Realism, Impressionism, Post-Impressionism, 20th Century developments of American art.

*Strongly Recommended: Eligibility for ENG 1A*

**STUDENTS MAY TAKE ART HISTORY COURSES IN ANY ORDER**

Day	20643	TTh	11:00-12:15	1056	RENERIA	08/17-12/18	OP	V01
-----	-------	-----	-------------	------	---------	-------------	----	-----

## ART

**ARTS 2A INTRODUCTION TO DRAWING 3.0 Units**

Introduction to principles, elements, and practices of drawing, employing a wide range of subject matter and drawing media. Focus on perceptually based drawing, observational skills, technical abilities, and creative responses to materials and subject matter.

Day	20648	TTh	1:00-1:50	501	WAGNER	08/17-12/18	OP	V01
-----	-------	-----	-----------	-----	--------	-------------	----	-----

Lab	TTh	2:00-3:50	501			08/17-12/18	OP	
-----	-----	-----------	-----	--	--	-------------	----	--

Eve	20649	TTh	4:00-4:50	502	WAGNER	08/17-12/18	OP	093
-----	-------	-----	-----------	-----	--------	-------------	----	-----

Lab	TTh	5:00-6:50	502			08/17-12/18	OP	
-----	-----	-----------	-----	--	--	-------------	----	--

Eve	23657	MW	7:00-7:50	501	STAFF	08/17-12/18	OP	094
-----	-------	----	-----------	-----	-------	-------------	----	-----

MW	8:00-9:50	501				08/17-12/18	OP	
----	-----------	-----	--	--	--	-------------	----	--

**ARTS 7A INTRO TO WATERCOLOR PAINTING 3.0 Units**

Introduction to principles, elements, and practices of watercolor painting. Focus on exploration of painting materials, perceptual skills and color theory, paint mixing and technique, as well as creative responses to materials and subject matter.

*Strongly Recommended: ARTS 2A with a minimum grade of C*

Day	20644	MW	2:00-2:50	501	STAFF	08/17-12/18	OP	V01
-----	-------	----	-----------	-----	-------	-------------	----	-----

Lab	MW	3:00-4:50	501			08/17-12/18	OP	
-----	----	-----------	-----	--	--	-------------	----	--

**ARTS 7B WATERCOLOR PAINTING 3.0 Units**

Development of knowledge and skills introduced in Arts 7A with an emphasis on experimenting with the watercolor medium, perceptual skills and color theory, paint mixing and technique, as well as creative responses to materials and subject matter.

*Prerequisite: ARTS 7A with a minimum grade of C*

*Strongly Recommended: ARTS 2A with a minimum grade of C*

Day	20645	MW	2:00-2:50	501	STAFF	08/17-12/18	OP	V01
-----	-------	----	-----------	-----	-------	-------------	----	-----

Lab	MW	3:00-4:50	501			08/17-12/18	OP	
-----	----	-----------	-----	--	--	-------------	----	--

**ARTS 7C ADVANCED WATERCOLOR PAINTING I 3.0 Units**

Development of knowledge and skills introduced in 7B directed towards individual needs with an emphasis on individual expression.

*Prerequisite: ARTS 7B with a minimum grade of C*

*Strongly Recommended: ARTS 2A with a minimum grade of C*

Day	20646	MW	2:00-2:50	501	STAFF	08/17-12/18	OP	V01
-----	-------	----	-----------	-----	-------	-------------	----	-----

Lab	MW	3:00-4:50	501			08/17-12/18	OP	
-----	----	-----------	-----	--	--	-------------	----	--

**ARTS 7D ADVANCE WATERCOLOR PAINTING II 3.0 Units**

Advanced projects in watercolor painting with emphasis on demonstrating functional competence and an intellectual understanding of personal ideas. Further development of knowledge and skills introduced in 7C directed towards individualized needs.

*Prerequisite: ARTS 7C with a minimum grade of C*

*Strongly Recommended: ARTS 2A with a minimum grade of C*

Day	20647	MW	2:00-2:50	501	STAFF	08/17-12/18	OP	V01
-----	-------	----	-----------	-----	-------	-------------	----	-----

Lab	MW	3:00-4:50	501			08/17-12/18	OP	
-----	----	-----------	-----	--	--	-------------	----	--

**ARTS 12A OIL/ACRYLIC PAINTING: BEGIN I 3.0 Units**

Introduction to painting using oil or acrylic paints. Students will apply the principles and elements of design, in addition to color theory, to their own paintings. Students will make studies from observation, study works by the masters, and learn to express their own ideas through painting.

*Strongly Recommended: ARTS 2A with a minimum grade of C*

Day	20650	Fri	9:00-10:50	501	WAGNER	08/17-12/18	OP	V01
-----	-------	-----	------------	-----	--------	-------------	----	-----

Lab	Fri	11:00-2:50	501			08/17-12/18	OP	
-----	-----	------------	-----	--	--	-------------	----	--

*If students do not currently have oil/acrylic painting supplies, they can expect to buy approximately \$200-\$300 in art supplies in order to take this course. If there are any questions related to the 13 series of Acrylic Painting courses, please send inquiries to [dwagner@laspositascollege.edu](mailto:dwagner@laspositascollege.edu)*

**ARTS 12B OIL/ACRYLIC PAINTING: BEGIN II 3.0 Units**

Second level course in painting using oil or acrylic paints. With the skills and knowledge gained in ARTS 12A, students will apply the principles and elements of design, in addition to color theory, to their own paintings. Students will make intermediate level studies from observation, study works by the masters, and learn to express their own ideas through painting.

*Prerequisite: ARTS 12A with a minimum grade of C*

*Strongly Recommended: ARTS 2A with a minimum grade of C*

Day	20651	Fri	9:00-10:50	501	WAGNER	08/17-12/18	OP	V01
-----	-------	-----	------------	-----	--------	-------------	----	-----

Lab	Fri	11:00-2:50	501			08/17-12/18	OP	
-----	-----	------------	-----	--	--	-------------	----	--

**ARTS 12C OIL/ACRYLIC PAINTING: ADV I 3.0 Units**

Advanced projects in oil or acrylic painting with an emphasis on individual creative work and development of personal ideas and style.

*Prerequisite: ARTS 12B with a minimum grade of C*

*Strongly Recommended: ARTS 2A with a minimum grade of C*

Day	20652	Fri	9:00-10:50	501	WAGNER	08/17-12/18	OP	V01
-----	-------	-----	------------	-----	--------	-------------	----	-----

Lab	Fri	11:00-2:50	501			08/17-12/18	OP	
-----	-----	------------	-----	--	--	-------------	----	--

**ARTS 12D OIL/ACRYLIC PAINTING: ADV II 3.0 Units**

Advanced projects in oil or acrylic painting with emphasis on developing ideas, skills, and knowledge. Students hone their painting through practice and critique; this course requires self-direction.

*Prerequisite: ARTS 12C with a minimum grade of C*

*Strongly Recommended: ARTS 2A with a minimum grade of C*

Day	20653	Fri	9:00-10:50	501	WAGNER	08/17-12/18	OP	V01
-----	-------	-----	------------	-----	--------	-------------	----	-----

Lab	Fri	11:00-2:50	501			08/17-12/18	OP	
-----	-----	------------	-----	--	--	-------------	----	--

**ARTS 23 2-D DESIGN 3.0 Units**

Introduction to the concepts, applications, and historical references related to 2-dimensional art and composition. Topics include the basic principles and elements of design. In this course, students will develop their visual vocabulary for creative visual expression through lectures and problem solving studio projects. Students explore aspects of 2-D Design through visual art assignments.

Day	20976	MW	9:00-9:50	501	ROBERTS	08/17-12/18	OP	V01
-----	-------	----	-----------	-----	---------	-------------	----	-----

MW	10:00-11:50	501				08/17-12/18	OP	
----	-------------	-----	--	--	--	-------------	----	--

**ARTS 24 3-D DESIGN 3.0 Units**

Introduction to the concepts, applications, and historical references related to 3-dimensional design and spatial composition, including the study of the elements and organizing principles of design as they apply to 3-dimensional space and form. Development of a visual vocabulary for creative expression through lecture presentations and use of appropriate materials for 3-dimensional studio projects.

Eve	20977	TTh	7:00-7:50	501	ROBERTS	08/17-12/18	OP	093
-----	-------	-----	-----------	-----	---------	-------------	----	-----

TTh	8:00-9:50	501				08/17-12/18	OP	
-----	-----------	-----	--	--	--	-------------	----	--

**ARTS 26 COLOR THEORY 3.0 Units**

A basic-level course highlighting color as an element for communication and expression in all visual fields. Covers key color systems and their relevance to graphic and other visual arts and creative and technical aspects of color. Students who have completed, or are enrolled in, GDDM 51 may not receive credit.

Day	22671	Tue	9:00-10:15	501	WAGNER	08/17-12/18	OP	V01
-----	-------	-----	------------	-----	--------	-------------	----	-----

Lab	TTh	10:20-12:20	501			08/17-12/18	OP	
-----	-----	-------------	-----	--	--	-------------	----	--



## ASTRONOMY

### ASTR 10 INTRO TO ASTR THE SOLAR SYSTEM 3.0 Units

Introduction to history and physical principles of astronomy, focusing on our Solar System. Includes: constellations; distance scales; historical development of astronomy; gravitation; motion of the Earth, Moon and Planets; astronomical tools; formation and evolution of the solar system; physical properties, atmosphere, and evolution of the Earth, Moon, and planets within the solar system; asteroids, comets, and other small bodies; discovery of extra-solar planets; possibilities for life beyond Earth. Designed for non-majors in mathematics or physical science. A companion science lab, Astronomy 30, is also available.

Eve	21820	Mon	2:00-3:15	1873	HARPELL	08/17-12/18	OP	HYI
			<b>ONLINE / HYBRID</b>					<b>08/17-12/18 OP</b>

*ASTR 10-HYI is a HYBRID course. Class will meet each Monday from 2:00-3:15pm except during campus holidays, and will also meet on two Wednesday from 2:00-3:15pm on Wednesday, 9/19/20, and Wednesday, 11/11/20. The remainder of the course takes place online, and includes lecture materials, assessments, and other course work. For more information, see the section titled "Online Learning" in this schedule, or go to <http://www.laspositascollege.edu/onlinelearning>.*

Web	20138	<b>ONLINE</b>		HARPELL	08/17-12/18	OP	DEI
-----	-------	---------------	--	---------	-------------	----	-----

*ASTR 10-DEI is an online course. For more information, see the section titled "Online Learning" in this schedule, or go to <http://www.laspositascollege.edu/onlinelearning>.*

### ASTR 20 INTRO TO ASTR STARS & UNIVERSE 3.0 Units

Introduction to study of stars, galaxies, and cosmology. Includes the nature of light and matter, telescopes, spectroscopy, stellar formation and evolution, galaxies, quasars, and cosmology. Designed for non-majors in mathematics or a physical science. A companion science lab, Astronomy 30, is also available.

Day	22336	MW	9:30-10:45	1826	GONZALINAJE	08/17-12/18	OP	V01
Eve	20080	TTh	5:30-6:45	1871	POWELL	08/17-12/18	OP	093

### ASTR 30L INTRODUCTION TO ASTRONOMY LAB 1.0 Units

Introduction to laboratory principles and techniques in astronomy. Includes: observational techniques such as naked eye, binocular, and telescopic identification of stars, planets, constellations, and deep sky objects; telescope operation and imaging; spectroscopy, motions of the sun, moon and planets.

*Prerequisite: ASTR 10 or ASTR 20 with a minimum grade of C (May be taken concurrently)*

Eve	22468	Lab Tue	7:00-9:50	1831	POWELL	08/17-12/18	OP	093
-----	-------	---------	-----------	------	--------	-------------	----	-----

## AUTOMOTIVE TECHNOLOGY

### AUTO A4 SUSPENSION AND STEERING 4.0 Units

Diagnosis, evaluation, testing, adjustment, alignment and repair of steering and suspension systems. Including all common automotive steering and suspension systems both car and truck. Future systems will also be covered. Students are strongly recommended to enroll in Automotive Lab concurrently.

*Prerequisite: AUTO INTR with a minimum grade of C (May be taken concurrently)*

Day	23480	MW	8:00-8:50	817	HAGOPIAN	08/17-12/18	OP	V01
		Lab MW	9:00-11:50	809		08/17-12/18	OP	

### AUTO A5 BRAKES 4.0 Units

Diagnosis, evaluation, inspection, adjustment, and repair of braking, antilock braking systems, traction control and related devices. Class will involve California State law regarding brake and safety inspections. Includes the material on the California Brake Adjuster's Licensing Examination. Students are strongly recommended to enroll in Automotive Lab concurrently.

*Prerequisite: AUTO INTR with a minimum grade of C (May be taken concurrently)*

Day	23481	TTh	8:00-8:50	817	HAGOPIAN	08/17-12/18	OP	V01
		Lab TTh	9:00-11:50	809		08/17-12/18	OP	

### AUTO A6 ELECTRICAL/ ELECTRONIC SYSTEMS 5.0 Units

Automotive electrical/electronic systems, including electrical circuits, ohms law, battery, starting, charging, ignition, fuel, accessories, brakes, chassis, suspension, steering, HVAC and wiring systems. Emphasis on diagnosis of electrical troubles, assembly, and repair of components and diagnostic equipment usage. Students are strongly recommended to enroll in Automotive Lab concurrently.

*Prerequisite: AUTO INTR with a minimum grade of C (May be taken concurrently)*

Day	23482	TTh	1:00-1:50	817	HAGOPIAN	08/17-12/18	OP	V01
		Lab TTh	2:00-4:50	809		08/17-12/18	OP	

### AUTO INTR AUTO SERVICE & INTRODUCTION 4.0 Units

Bumper-to-Bumper Automotive Knowledge. Starting with hazardous waste handling, tool identification, maintenance and lubrication, moving into engine mechanical, emissions controls, suspension systems, air conditioning, airbags and safety, transmissions, axles, and finishing off with the future of the automotive industry. This is an introductory class for people who want to know more about their vehicle or who are planning an automotive career.

Eve	21821	Mon	6:00-7:05	817	STAFF	09/08-12/18	OP	LEI
		Lab Mon	8:00-10:10	817		09/08-12/18	OP	
		Lab Wed	6:00-10:10	817		09/08-12/18	OP	
Sat	21822	Sat	9:00-10:50	817	STAFF	08/17-12/18	OP	WEI
		Lab Sat	11:00-4:50	809		08/17-12/18	OP	

### AUTO LIL2 SMOG LEVEL ONE AND LEVEL TWO 5.5 Units

This course includes classes/modules the State of California's requires for a student/automotive technician to be prepared to take their Smog License Test. This class will include Level One and Level Two smog training only. At the end of the class students may or may not qualify for either EI or EO smog license. See [www.smogcheck.ca.gov](http://www.smogcheck.ca.gov) for more information.

Eve	22718	TTh	6:00-7:50	817	WESTON	08/17-12/18	OP	093
		Lab TTh	8:00-9:15	809		08/17-12/18	OP	

### AUTO LABA AUTOMOTIVE LAB 2.0 Units

Automotive Lab is an open laboratory class for basic automotive students. This class is for students desiring to expand their hands-on experience using their own vehicle. Instructor will provide technical and supervisory support to guide students in completion of their self-initiated projects. Service information via computer service manuals will be available for students to use for vehicle information and research.

*Prerequisite: AUTO INTR with a minimum grade of C (May be taken concurrently) or NAUT INTR with a minimum grade of C (May be taken concurrently)*

Day	22069	Lab MW	1:00-3:50	809	HAGOPIAN	08/17-12/18	OP	V01
-----	-------	--------	-----------	-----	----------	-------------	----	-----

### AUTO LABB AUTOMOTIVE LAB ADVANCED 2.0 Units

Automotive Lab Advanced is an open laboratory class for advanced automotive students. This class is for students desiring to expand their hands-on experience using their own vehicle. Instructor will provide technical and supervisory support to guide students in completion of their self-initiated projects. Students are expected to help others in class and be able to work without guidance. Service information via computer service manuals will be available for students to use for vehicle information and research. Class is recommended for second year students only.

*Prerequisite: AUTO INTR or NAUT INTR and AUTO LABA or NAUT LABA with a minimum grade of C*

Day	22475	Lab MW	1:00-3:50	809	HAGOPIAN	08/17-12/18	OP	V01
-----	-------	--------	-----------	-----	----------	-------------	----	-----



## BIOLOGICAL SCIENCES

### BIO 1A GENERAL BOTANY 5.0 Units

Diversity, structure and function of plant, fungal, and protistan phyla. Topics include development, morphology, physiology and systematics. Principles of population and community ecology and ecosystem interactions. (Note: Formerly BOTN 1.)

Prerequisite: MATH 55 or 55B or NMAT 255 with a minimum grade of C  
Strongly Recommended: BIO 30 with a minimum grade of C

Use of a college computer laboratory requires the purchase of a print fee card obtained from the Las Positas College Bookstore or vending machines located throughout the campus.

Day	21712	MW	11:30-12:45	1872	SHULDMAN	08/17-12/18	GR	V01
	Lab	TTh	10:30-1:20	1855		08/17-12/18	GR	
Day	23171	TTh	1:30-2:45	1871	PETERSEN	08/17-12/18	GR	V02
	Lab	MW	1:00-3:50	1855		08/17-12/18	GR	
Eve	21713	MW	5:00-6:15	1873	NAKASE	08/17-12/18	GR	093
	Lab	MW	6:30-9:20	1855		08/17-12/18	GR	

### BIO 1B GENERAL ZOOLOGY 5.0 Units

Major groups of animal phyla and heterotrophic unicellular eukaryotes. Topics include comparative structure and function, development, ecology, taxonomy, phylogeny, evolution, and behavior. Designed for majors in biological sciences and related fields. (Note: Formerly ZOO 1.)

Prerequisite: Math 55 or 55B with a minimum grade of C or an appropriate skill level demonstrated through the mathematics assessment process

Strongly Recommended: BIO 30 with a minimum grade of C

Use of a college computer laboratory requires the purchase of a print fee card obtained from the Las Positas College Bookstore or vending machines located throughout the campus.

Day	21719	MW	11:30-12:45	1874	MARGERUM	08/17-12/18	GR	V01
	Lab	TTh	10:30-1:20	1851		08/17-12/18	GR	
Day	21834	MW	1:00-2:15	1814	BOAZ	08/17-12/18	GR	V02
	Lab	TTh	2:00-4:50	1851		08/17-12/18	GR	
Eve	21720	MW	5:00-6:15	1872	JUDD	08/17-12/18	GR	093
	Lab	MW	6:30-9:20	1851		08/17-12/18	GR	

### BIO 1C CELL AND MOLECULAR BIOLOGY 5.0 Units

Principles of cell and molecular biology. Includes biochemistry, cell structure and function, cell homeostasis, cell metabolism, cell reproduction, cell communication, genetics, molecular biology, biotechnology, and evolution. Emphasis on scientific inquiry and experimental design. (Note: Formerly BIOL 1.)

Prerequisite: BIO 1A or BIO 1B, MATH 55 and CHEM 1A with a minimum grade of C Eligibility for ENG 1A

Day	21692	WF	8:00-9:15	1872	ERNST	08/17-12/18	GR	V01
	Lab	WF	9:30-12:20	1854		08/17-12/18	GR	

Use of a college computer laboratory requires the purchase of a print fee card obtained from the Las Positas College Bookstore or vending machines located throughout the campus.

### BIO 7A HUMAN ANATOMY 5.0 Units

Structural organization of the human body: gross and microscopic structure of the integumentary, skeletal, muscular, nervous, sensory, endocrine, cardiovascular, lymphatic, respiratory, digestive, excretory, and reproductive systems, from cellular to organ system levels of organization. This course is primarily intended for nursing, allied health, kinesiology, and other health related majors.

Prerequisite: BIO 30 with a minimum grade of C Strongly Recommended: Eligibility for ENG 1A

Day	21686	MW	8:00-9:15	1858	HIGHT	08/17-12/18	GR	V01
	Lab	MW	9:30-12:20	1858		08/17-12/18	GR	
Day	21687	TTh	9:00-10:15	1858	LAL	08/17-12/18	GR	V02
	Lab	TTh	10:30-1:20	1858		08/17-12/18	GR	
Day	23177	MW	12:45-2:00	1858	ROGHANI	08/17-12/18	GR	V03
	Lab	MW	2:10-5:00	1858		08/17-12/18	GR	

Eve	21691	MW	5:30-6:45	1858	AZEVEDO	08/17-12/18	GR	093
	Lab	MW	7:00-9:50	1858		08/17-12/18	GR	

Use of a college computer laboratory requires the purchase of a print fee card obtained from the Las Positas College Bookstore or vending machines located throughout the campus.

### BIO 7B HUMAN PHYSIOLOGY 5.0 Units

Function and regulation of the human body. This course examines general, cellular, and molecular interactions that integrate the organ systems to maintain homeostasis. Human responses and computer simulations are used to collect and analyze data. Designed for nursing, physical and occupational therapy, and other health sciences majors.

Prerequisite: BIO 7A and CHEM 1A or CHEM 30A or CHEM 31 with a minimum grade of C

Strongly Recommended: CHEM 30B with a minimum grade of C and Eligibility for ENG 1A and

Day	21717	MW	9:30-10:45	1859	CARBONE	08/17-12/18	GR	V01
	Lab	MW	11:20-2:10	1810		08/17-12/18	GR	
Day	21718	TTh	9:00-10:15	1859	CARBONE	08/17-12/18	GR	V02
	Lab	TTh	10:55-1:50	1810		08/17-12/18	GR	
Day	22503	TTh	12:45-2:00	105	HIGHT	08/17-12/18	GR	V03
	Lab	TTh	2:10-5:00	1810		08/17-12/18	GR	
Eve	23211	TTh	5:00-6:15	1816	FITZGERALD	08/17-12/18	GR	093
	Lab	TTh	6:30-9:20	1810		08/17-12/18	GR	

### BIO 7C MICROBIOLOGY 5.0 Units

This course focuses on viruses, bacteria, fungi, protozoans, and helminths, with an emphasis on their relationship to humans. Cultivation, control, metabolism, body's defense against disease, microbial genetics, laboratory tests, and contemporary diseases are discussed. Methods used in the laboratory include standard bacteriological techniques (culturing, staining, biochemical testing, sensitivity testing etc.) as well as some molecular and immunological techniques, such as PCR and ELISA. Laboratory work also includes identification of unknowns, and/or independent research projects.

Prerequisite: BIO 30, CHEM 30A or CHEM 1A with a minimum grade of C

Strongly Recommended: BIO 7A with a minimum grade of C ENG 1A with a minimum grade of C

Use of a college computer laboratory requires the purchase of a print fee card obtained from the Las Positas College Bookstore or vending machines located throughout the campus.

Day	21715	TTh	9:00-10:15	1854	ZINGG	08/17-12/18	GR	V01
	Lab	TTh	10:30-1:20	1854		08/17-12/18	GR	
Day	21716	TTh	12:15-1:30	1871	DOLAN	08/17-12/18	GR	V02
	Lab	TTh	1:45-4:35	1854		08/17-12/18	GR	
Eve	22504	MW	5:15-6:30	1854	ZINGG	08/17-12/18	GR	093
	Lab	MW	6:45-9:35	1854		08/17-12/18	GR	

### BIO 10 INTRO TO THE SCIENCE OF BIOL 4.0 Units

This course focuses on basic principles of biology, including scientific investigation and the study of the nature of living things. Focus is on student understanding of evolution and the unity and diversity of life from the molecular level to ecosystems and biosphere. Designed for non-majors in biology and biomedical sciences.

Use of a college computer laboratory requires the purchase of a print fee card obtained from the Las Positas College Bookstore or vending machines located throughout the campus.

Day	21693	TTh	12:30-1:45	1058	NAKASE	08/17-12/18	OP	V01
	Lab	Tue	2:00-4:50	1855		08/17-12/18	OP	
Day	21694	TTh	12:30-1:45	1058	NAKASE	08/17-12/18	OP	V02
	Lab	Th	2:00-4:50	1855		08/17-12/18	OP	
Eve	21695	TTh	5:00-6:15	1872	RIENSCHKE	08/17-12/18	OP	093
	Lab	Tue	6:30-9:20	1855		08/17-12/18	OP	
Eve	21696	TTh	5:00-6:15	1872	RIENSCHKE	08/17-12/18	OP	094
	Lab	Th	6:30-9:20	1855		08/17-12/18	OP	

D/E	CRN	DAYS	TIMES	ROOM	INSTRUCTOR	DATES	CODES	SEC	D/E	CRN	DAYS	TIMES	ROOM	INSTRUCTOR	DATES	CODES	SEC
<b>BIO 20 CONTEMPORARY HUMAN BIOLOGY 3.0 Units</b>																	
A study of the Human organism, beginning at the cellular level, emphasizing organ systems, and also including topics of genetics and biotechnology. (Note: Formerly BIOL 20.)																	
<i>Use of a college computer laboratory requires the purchase of a print fee card obtained from the Las Positas College Bookstore or vending machines located throughout the campus.</i>																	
Eve	21697	TTh	4:00-5:15	1874	CHOVNIK	08/17-12/18	GR	093	Day	22505	TTh	9:30-10:45	1872	ERNST	08/17-12/18	GR	V01
Web	21721	ONLINE			CHOVNIK	08/17-12/18	GR	DEI	Lab		Fri	12:30-3:20	1855				GR
BIO 20-DEI is an online course. For more information, see the section titled "Online Learning" in this schedule, or go to <a href="http://www.laspositascollege.edu/onlinelearning">http://www.laspositascollege.edu/onlinelearning</a> .																	
<b>BIO 30 INTRO TO COLLEGE BIOLOGY 4.0 Units</b>																	
Basic principles of biology. Cell structure and function, cell division, cell metabolism, reproduction, genetics, taxonomy, origin of life, and evolution. Laboratory emphasis on developing various laboratory skills, using the metric system, collecting data, graphing, interpreting data, and preparing for and taking laboratory exams. Designed to prepare the necessary concepts and laboratory skills and experience that are needed to succeed in more advanced courses in biology. (Note: Formerly BIOL 31.)																	
<i>Strongly Recommended: MATH 110 or MATH 110B and Eligibility for ENG 1A</i>																	
<i>Use of a college computer laboratory requires the purchase of a print fee card obtained from the Las Positas College Bookstore or vending machines located throughout the campus.</i>																	
Day	21698	TTh	1:00-2:15	1872	KATZ	08/17-12/18	GR	V01	Day	21711	Wed	9:30-10:45	1874	ZINGG	08/17-12/18	GR	HYI
Lab		Fri	8:30-11:20	1851		08/17-12/18	GR		Lab		Fri	9:30-12:20	1855				GR
Day	21699	TTh	1:00-2:15	1872	KATZ	08/17-12/18	GR	V02	<b>ONLINE / HYBRID 08/17-12/18 GR</b>								
Lab		Fri	12:00-2:45	1851		08/17-12/18	GR		<i>BIO 50-HD1 is a HYBRID course. Students will meet on campus on the days/times indicated above. The remainder of the course will be completed online. For more information, see the section titled "Online Learning in this schedule, or go to <a href="http://www.laspositascollege.edu/onlinelearning">http://www.laspositascollege.edu/onlinelearning</a>.</i>								
Day	21700	MW	9:30-10:45	1874	WILSON	08/17-12/18	GR	V03	<b>BIO 55 ORIENTATION TO HEALTH CARE 2.0 Units</b>								
Lab		Mon	11:30-2:20	1851		08/17-12/18	GR		Examine physiological, psychological, ethical, social, and public health issues. Introduce the workings of the human body and mind and explore the relationship between health and larger cultural and societal issues. Introduce medical terminology. Review diseases, including causes, symptoms, how they affect the body systems, and treatment options available. Investigate, analyze, and evaluate professional opportunities, educational requirements and personal characteristics with the intent to acquire insight into careers in the allied health field, with specific focus on transfer science, clinical programs (pre-nursing, EMT, surgical technology, medical assisting), and health administrative support. Gain the academic framework and perspective necessary to pursue a career in health sciences, as well as benefit anyone confronting health care issues in today's complex world.								
Day	21701	MW	9:30-10:45	1874	WILSON	08/17-12/18	GR	V04	<i>Use of a college computer laboratory requires the purchase of a print fee card obtained from the Las Positas College Bookstore or vending machines located throughout the campus.</i>								
Lab		Wed	11:30-2:20	1851		08/17-12/18	GR		Eve	23162	Wed	5:00-6:40	2460	CHOVNIK	08/17-12/18	OP	093
Day	21702	MW	1:10-2:25	1012	WATERS	08/17-12/18	GR	V05	<b>BIO 60 MARINE BIOLOGY 4.0 Units</b>								
Lab		Mon	2:45-5:35	1851		08/17-12/18	GR		Ocean as a habitat, the organisms that inhabit marine waters, their ecology, adaptations and evolution, and the role of the ocean in the ecology of the biosphere. (Note: Formerly BIOL 5.)								
Day	21703	MW	1:10-2:25	1012	WATERS	08/17-12/18	GR	V06	<i>Use of a college computer laboratory requires the purchase of a print fee card obtained from the Las Positas College Bookstore or vending machines located throughout the campus.</i>								
Lab		Wed	2:45-5:35	1851		08/17-12/18	GR		Day	22506	MW	12:30-1:45	1641	OKIMURA	08/17-12/18	OP	V01
Day	21704	TTh	9:30-10:45	1874	BOAZ	08/17-12/18	GR	V07	Lab		Wed	2:30-5:20	1810				OP
Lab		Mon	8:30-11:20	1851		08/17-12/18	GR		<b>BUSINESS</b>								
Day	21705	TTh	9:30-10:45	1874	BOAZ	08/17-12/18	GR	V08	<b>BUSN 1A FINANCIAL ACCOUNTING 4.0 Units</b>								
Lab		Wed	8:30-11:20	1851		08/17-12/18	GR		A study of accounting as an information system; examining why it's important, and how it's used by investors and creditors to make decisions. Includes the recording and reporting of business transactions with a focus on the accounting cycle, the application of generally accepted accounting principles and comparing it to international financial reporting standards, preparation and analysis of the classified financial statements for merchandising and service companies. Also includes issues related to recording and valuation of assets, liabilities, equities and cashflow, recognition of revenues, expenses using effective internal controls and ethical standards. (Formerly Principles of Accounting 1A).								
Day	21706	MW	1:00-2:15	1874	YANCEY	08/17-12/18	GR	V09	Day	20556	TTh	10:00-11:50	1057	BELL	08/17-12/18	GR	V01
Lab		Fri	12:30-3:20	1810		08/17-12/18	GR		Lab		Tue	12:00-12:50	1057				GR
Day	21707	MW	1:00-2:15	1874	YANCEY	08/17-12/18	GR	V10	Day	20231	MW	12:30-2:20	1058	CHOPRA	08/17-12/18	GR	V02
Lab		Fri	9:20-12:10	1810		08/17-12/18	GR		Lab		Mon	2:30-3:20	1058				GR
Eve	21708	TTh	5:30-6:45	1874	PETERSON	08/17-12/18	GR	093	Eve	20230	MW	5:00-6:50	1057	AMANCHERLA	08/17-12/18	GR	093
Lab		Tue	7:00-9:50	1851		08/17-12/18	GR		Lab		Mon	7:00-7:50	1057				GR
Eve	21709	TTh	5:30-6:45	1874	PETERSON	08/17-12/18	GR	094	Eve	20385	TTh	4:00-5:50	1057	CHOPRA	08/17-12/18	GR	094
Lab		Th	7:00-9:50	1851		08/17-12/18	GR		Lab		Tue	6:00-6:50	1057				GR
<b>BIO 40 HUMANS AND THE ENVIRONMENT 3.0 Units</b>																	
Introduction to environmental issues from a scientific perspective, focusing on physical, chemical, and biological processes within the Earth system, the interaction between humans and these processes, and the role of science in finding sustainable solutions. Topics include ecological principles, biodiversity, climate change, sustainability, renewable and non-renewable energy, water resources, air and water pollution, and solid waste management.																	
<i>Strongly Recommended: Eligibility for ENG 1A</i>																	
Day	21714	ONLINE			SHULDMAN	08/17-12/18	OP	DEI	<b>Web 21373 ONLINE YAP 08/17-12/18 GR DEI</b>								
BIO 40-DEI is an online course. For more information, see the section titled Online Learning in this or go to <a href="http://www.laspositascollege.edu/onlinelearning">http://www.laspositascollege.edu/onlinelearning</a> .																	
<b>BIO 50 ANATOMY AND PHYSIOLOGY 4.0 Units</b>																	
Structure and function of the human body is studied. Emphasis on human anatomy and physiological principles at the cellular and systemic level. Designed primarily for majors in paramedic and medical assisting programs and pre-medical students who wish to explore the realm of anatomy and physiology.																	

D/E	CRN	DAYS	TIMES	ROOM	INSTRUCTOR	DATES	CODES	SEC	D/E	CRN	DAYS	TIMES	ROOM	INSTRUCTOR	DATES	CODES	SEC
-----	-----	------	-------	------	------------	-------	-------	-----	-----	-----	------	-------	------	------------	-------	-------	-----

**BUSN 1B MANAGERIAL ACCOUNTING 4.0 Units**

A study of the use and reporting of accounting data for managerial planning, cost control, and decision making purposes. Includes broad coverage of concepts, structures, classifications, and behaviors of costs. Topics include; cost systems, job costing, process costing, activity based costing, relationship between cost, volume and profitability, relevant range, standard costing, profit planning and budgeting, static and flexible budgeting, responsibility accounting and segment reporting, absorption and variable costing and capital expenditure decisions. (Formerly Principles of Accounting 1B).

Prerequisite: BUSN 1A with a minimum grade of C

Internet access is required for all BUSN 1B sections.

Day	20367	TTh	12:30-2:20	2460	CHOPRA	08/17-12/18	GR	Y01
Lab		Th	2:30-3:20	2460		08/17-12/18	GR	
Eve	21816	MW	5:00-6:50	1059	BELL	08/17-12/18	GR	093
Lab		Mon	7:00-7:50	1059		08/17-12/18	GR	

Web 21579 ONLINE CHOPRA 08/17-12/18 GR DEI  
 BUSN 1B-DEI is an online course. For more information, see the section titled "Online Learning" in this schedule, or go to <http://www.laspositascollege.edu/onlinelearning>.

**BUSN 18 BUSINESS LAW 4.0 Units**

A study of the legal environment of business. Covering laws and regulations impacting business transactions. Introduction to the legal process. Topics include sources of legal concepts and ethics, torts, contracts, UCC, warranties, product liability, consumer financial transactions, environmental, competition, agency, employment and labor, business organizations, and judicial and administrative processes.

Strongly Recommended: BUSN 40 and ENG 1A with a minimum grade of C

Internet access is required for all sections of BUSN 18

Day	20241	MW	9:30-11:20	1059	COLEMAN	08/17-12/18	GR	Y01
Day	22418	TTh	2:00-3:50	1057	COLEMAN	08/17-12/18	GR	Y02
Eve	20969	Mon	6:00-8:50	2460	AYOTTE	08/17-12/18	GR	HY1
			ONLINE / HYBRID			08/17-12/18	GR	

BUSN 18-HY1 is a HYBRID course. Students will meet on campus on the days/times indicated above. The remainder of the course will be completed online. For more information, see the section titled "Online Learning" in this schedule, or go to <http://www.laspositascollege.edu/onlinelearning>.

Web 20347 ONLINE COLEMAN 08/17-12/18 GR DEI  
 BUSN 18-DEI is an online course. For more information, see the section titled "Online Learning" in this schedule, or go to <http://www.laspositascollege.edu/onlinelearning>.

Web 22015 ONLINE CHURCHILL 10/12-12/11 GR LO1  
 BUSN 18-LO1 is a FAST TRACK online course that meets from Oct 12-Dec 11. For more information, see the section titled "Online Learning" in this schedule, or go to <http://www.laspositascollege.edu/onlinelearning>.

**BUSN 20 INTERNATIONAL BUSINESS 3.0 Units**

Exploration of major factors involved in developing international entrepreneurship. Includes an overview of economic, historical, technological, legal, environmental, and educational implications on entrepreneurship. Analyzes cultural differences, issues and trends, which influence entrepreneurship and business decision-making. Discuss options for emerging markets; international marketing; manufacturing, physical distribution, and foreign investment options are explored along with State and federal resources available to facilitate importing and exporting.

Strongly Recommended: BUSN 40, ENG 1A or ENG 1AEX with a minimum grade of C

Day	23547	Mon	2:00-3:50	1060	COLEMAN	10/12-12/11	OP	LD1
			ONLINE / HYBRID			10/12-12/11	OP	

BUSN 20-LD1 is a FAST TRACK HYBRID course that meets from Oct 12-Dec 11. Students will meet on campus on the days/times indicated above. The remainder of the course will be completed online. For more information, see the section titled "Online Learning" in this schedule, or go to <http://www.laspositascollege.edu/onlinelearning>.

**BUSN 30 BUSINESS ETHICS AND SOCIETY 3.0 Units**

A survey of the past and current behavior of business in American society. Examines the ethical, political and social issues confronting organizations and the organizations' responsibilities and obligations in responding to them. Discusses the responsibility of business toward customers, employees, stockholders, competitors, suppliers, government and the community at large.

Strongly Recommended: BUSN 40 with a minimum grade of C and Eligibility for ENG 1A

Web 21685 ONLINE STEIN 08/17-12/18 GR DEI  
 BUSN 30-DEI is an online course. For more information, see the section titled "Online Learning" in this schedule, or go to <http://www.laspositascollege.edu/onlinelearning>.

**BUSN 33 PERSONAL FINANCIAL MANAGEMENT 3.0 Units**

Designed to provide students with the practical, hands-on means of successfully managing their personal finances and of becoming financially empowered upon course completion. Among other topics, the course will cover the basics of credit management, assessing insurance needs, budgeting, personal financial statement preparation, investment and savings accounts, management of taxes, retirement accounts, will preparation and estate planning.

Internet access is required for BUSN 33

Day	22672	MW	12:30-1:45	1053	BELL	08/17-12/18	GR	Y01
-----	-------	----	------------	------	------	-------------	----	-----

**BUSN 40 INTRODUCTION TO BUSINESS 3.0 Units**

A multidisciplinary examination and introduction to business operations within the U.S. and internationally. Provides an overview of global economic systems, business formations, business ethics and laws, general accounting practices and financing, facility location and layout, production, organizational structures and management functions. Fundamentals of risk management, marketing, human resources, and employee motivation are covered. Demonstrates how culture, society, and external business environments impact a business' ability to achieve its organizational goals.

Strongly Recommended: ENG 1A

Day	20242	MW	11:00-12:15	2420	PATTERSON	08/17-12/18	OP	Y01
Day	22419	TTh	9:30-10:45	1058	PATTERSON	08/17-12/18	OP	Y02
Eve	20526	Tue	6:00-8:50	1058	LEDERER	08/17-12/18	OP	093
Eve	20970	Wed	4:00-6:50	*	LANZA	08/17-12/18	OP	094

\*offsite room meets at DUBLIN HIGH SCHOOL, 815 VILLAGE PARKWAY, DUBLIN, CA

Web 21528 ONLINE CHURCHILL 10/12-12/11 OP LO1  
 BUSN 40-LO1 is a FAST TRACK online course that meets from Oct 12-Dec 11. For more information, see section titled "Online Learning" in this schedule, or go to <http://www.laspositascollege.edu/onlinelearning>.

Web 21341 ONLINE COLEMAN 09/08-12/18 OP LO2  
 BUSN 40-LO2 is a LATE START online course that meets from Sept 8-Dec 18. For more information, see the section titled "Online Learning" in this schedule, or go to <http://www.laspositascollege.edu/onlinelearning>.

**BUSN 45 ENTREPRENEURSHIP 3.0 Units**

This course is designed for students who are interested in starting an entrepreneurial venture or new business. This course will cover the process of successfully launching, managing and growing their idea, emphasizing opportunity recognition and feasibility analysis. A practical study of the creation and essential skills required to start and grow an entrepreneur venture. It will also cover important topics such as developing a competitive advantage, protecting intellectual property and obtaining venture capital financing.

Eve	23548	Mon	5:00-6:50	1056	LANZA	08/17-12/18	OP	HY1
			ONLINE / HYBRID			08/17-12/18	OP	

BUSN 45-HY1 is a HYBRID course. Students will meet on campus on the days/times indicated above. The remainder of the course will be completed online. For more information, see the section titled "Online Learning" in this schedule, or go to <http://www.laspositascollege.edu/onlinelearning>.



D/E	CRN	DAYS	TIMES	ROOM	INSTRUCTOR	DATES	CODES	SEC	D/E	CRN	DAYS	TIMES	ROOM	INSTRUCTOR	DATES	CODES	SEC
-----	-----	------	-------	------	------------	-------	-------	-----	-----	-----	------	-------	------	------------	-------	-------	-----

**BUSN 48 HUMAN RELATIONS IN ORG. 3.0 Units**

An introduction to the interpersonal skills needed in today's workplace with a focus on effective communication, decision making, cross cultural relations, diversity, resolving conflict, managing change, group dynamics, and ethical behavior.

**Web 20971 ONLINE STEIN 09/08-12/18 OP LOI**  
 BUSN 48-LOI is an online LATE START course that meets from Sept 8-Dec/18. For more information, see the section titled "Online Learning" in this schedule, or go to <http://www.laspositascollege.edu/onlinelearning>.

**BUSN 51 GENERAL ACCOUNTING 3.0 Units**

Basic accounting skills for managers and entrepreneurs that provide a foundation in financial reporting and analysis, payroll taxes, and internal controls. The course includes practical application of accounting theory to the accounting cycles for service and merchandising businesses, including bookkeeping practices, common debit and credit procedures, books of original entry, working papers, adjusting and closing entries, income statement, of owner's equity, balance sheet, cash, payroll, and special journals.

**Day 23623 Tue 2:00-4:50 2205 BELL 10/12-12/11 GR LOI**  
**Lab ONLINE / HYBRID 10/12-12/11 GR**

BUSN 51-HYI is a FAST TRACK HYBRID course that meets from Oct 12-Dec 11. Students will meet on campus on the days/times indicated above. The remainder of the course will be completed online. For more information, see the section titled "Online Learning" in this schedule, or go to <http://www.laspositascollege.edu/onlinelearning>.

**Web 23549 ONLINE YAP 08/17-12/18 GR DEI**  
 BUSN 51-DEI is an online course. For more information, see the section titled "Online Learning" in this schedule, or go to <http://www.laspositascollege.edu/onlinelearning>.

**BUSN 52 BUSINESS COMMUNICATIONS 3.0 Units**

Study of communication functions, choices, and roles for professionals that help remove barriers. Practice in using verbal, nonverbal and writing skills to communicate one-on-one, in groups and electronically. Cross-cultural communications, face-to-face and online meetings management, delegating work assignments, planning, problem solving, conferences, employee counseling and making oral presentations.

*Strongly recommended: ENG 1A with a minimum grade of C*

**Web 21922 ONLINE LAUFFER 08/17-12/18 OP DEI**

BUSN 52-DEI is an online course. For more information, see the section titled "Online Learning" in this schedule, or go to <http://www.laspositascollege.edu/onlinelearning>.

**BUSN 53 BUSINESS CORRESPONDENCE 3.0 Units**

Development of skills for composing general business correspondence to a variety of audiences including multiple levels within an organization and cross cultural communications. Crafting messages, including e-mail, administrative communications, technical reports, meeting agendas, and meeting minutes. Determining the appropriate media for the communication, correct writing style, and level of terminology within the message. Emphasis on appropriate English grammar, spelling, on-line netiquette, and cross-cultural communications.

*Strongly Recommended: ENG 1A or ENG 1AEX with a minimum grade of C*

**Web 20524 ONLINE JUREVICH 08/17-10/09 OP DEI**

BUSN 53-DEI is an online FAST TRACK course that meets from Aug 17-Oct 9. For more information, see the section titled "Online Learning," or go to <http://www.laspositascollege.edu/onlinelearning>.

**BUSN 55 BUSINESS MATHEMATICS 3.0 Units**

This course focuses on learning computations for typical business transactions including; simple interest, compound interest, installment sales, trade and cash discounts, mark-on percents, pricing, discounting notes and drafts, depreciation, taxes, insurance, statistics, stocks and bonds, and distribution of ownership and profits.

**Web 20972 ONLINE AYOTTE 08/17-12/18 OP DEI**

BUSN 55-DEI is an online course. For more information, see the section titled "Online Learning" in this schedule, or go to <http://www.laspositascollege.edu/onlinelearning>.

**BUSN 56 INTRODUCTION TO MANAGEMENT 3.0 Units**

Introduction to the application of tools, principles and concepts in business management. Emphasis will be on planning, organizing, leading, and controlling. Additional topics will include decision-making, employee motivation, teamwork, and current trends.

*Strongly Recommended: Eligibility for ENG 1A*

**Web 20384 ONLINE CHURCHILL 10/12-12/11 OP LOI**

BUSN 56-LOI is a FASTTRACK online course that meets from Oct.12-Dec.11. For more information, see the section titled "Online Learning" in this schedule, or go to <http://www.laspositascollege.edu/onlinelearning>.

**BUSN 58 SMALL BUSINESS MANAGEMENT 3.0 Units**

Fundamentals of starting, operating and growing a successful small business enterprise. Emphasis on all endeavors: self-employment; freelancing; brick and mortar, pop-up and Internet retailing; technical and professional services; and franchising. Focus on achieving optimum benefits from limited resources; financing strategies; marketing options; legal, ethical, and regulatory issues encountered by all start-ups.

*Strongly Recommended: BUSN 1A or BUSN 51 with a minimum grade of C*

**Web 21676 ONLINE PATTERSON 08/17-10/09 OP DEI**

BUSN 58-DEI is a FAST TRACK online course that meets from Aug 17 to Oct 9. For more information, see the section titled "Online Learning" in this schedule, or go to <http://www.laspositascollege.edu/onlinelearning>.

**BUSN 61 QUICKBOOKS ACCOUNTING 1.5 Units**

Introduction to the use of QuickBooks accounting software to process transactions related to a service and merchandise company. Specific topics include using company files, sales and receivables, payables and purchases bank and credit card reconciliations end of period transactions and payroll. Transactions include journalizing, adjusting entries, closing entries, bank reconciliation and preparing financial statements.

*Strongly Recommended: BUSN 1A or BUSN 51 with a minimum grade of C*

**Web 20590 ONLINE BELL 08/17-12/18 OP DEI**

BUSN 61-DEI is an online course. For more information, see the section titled "Online Learning" in this schedule, or go to <http://www.laspositascollege.edu/onlinelearning>.

**BUSN 65 FEDERAL INCOME TAX ACCOUNTING 3.0 Units**

A study and analysis of the principles of federal income tax applied to employees, self-employed individuals and rental income. Includes an overview of taxes related to partnerships, informational returns and corporate tax returns. Analysis of the Internal Revenue Code with examination of court rulings and regulations. Review of new legislation that alters existing tax law. Introduction to tax preparation software is included.

*Internet access is required for BUSN 65.*

**Eve 22897 Tue 6:00-7:50 2480 RODRIGUES 08/17-12/18 OP 093**

**BUSN 87 ORGANIZATIONAL MGT LEADERSHIP 3.0 Units**

This course examines the special case of detailed planning and implementation of management decisions in strategic business units. Attention is focused on three areas: developing action plans and implementation strategies, developing awareness of the contingencies to be considered in taking strategic actions, and investigating how different academic disciplines interpret the leadership phenomenon. This course highlights key criteria used in assessing the viability of an organizational action plan, and the role of leadership in managing constructive change processes.

*Strongly Recommended: BUSN 40 with a minimum grade of C*

**Day 23550 Mon 2:00-3:50 2460 COLEMAN 08/17-10/09 OP HDI**

**ONLINE / HYBRID 08/17-10/09 OP**

BUSN 87-HDI is a HYBRID course. Students will meet on campus on the days/times indicated above. The remainder of the course will be completed online. For more information, see the section titled "Online Learning" in this schedule, or go to <http://www.laspositascollege.edu/onlinelearning>.



D/E	CRN	DAYS	TIMES	ROOM	INSTRUCTOR	DATES	CODES	SEC	D/E	CRN	DAYS	TIMES	ROOM	INSTRUCTOR	DATES	CODES	SEC
-----	-----	------	-------	------	------------	-------	-------	-----	-----	-----	------	-------	------	------------	-------	-------	-----

**BUSN 88 HUMAN RESOURCES MANAGEMENT 3.0 Units**

Introduction to the field of human resources with an emphasis on understanding the impact decisions and activities involving employees have on an organization's overall success. Focus on best practices in recruitment and selection, performance management, compensation and benefits, employee relations, workplace health and safety, and risk management strategies.

*Strongly Recommended: BUSN 56 with a minimum grade of C*

**Web 20627 ONLINE JUREVICH 10/12-12/11 OP LO1**  
 BUSN 88-LO1 is a FAST TRACK online course that meets from Oct 12-Dec 11. For more information, see the section titled "Online Learning," in this schedule, or go to <http://www.laspositascollege.edu/onlinelearning>.

## CHEMISTRY

**CHEM 1A GENERAL COLLEGE CHEMISTRY I 5.0 Units**

Introduction to atomic structure, bonding, stoichiometry, thermochemistry, gases, matter and energy, oxidation-reduction, chemical equations, liquids and solids, solutions, chemical energetics and equilibrium. Laboratory includes both quantitative and qualitative experiments.

*Prerequisites: Mathematics 55 or 55B and Chemistry 31 (all courses completed with a grade of "C" or higher). The Chemistry 31 prerequisite can be fulfilled by demonstrating the appropriate skill level in the Chemistry Placement Process.*

Day	20083	MW	9:30-10:45	1871	SYMMANK	08/17-12/18	GR	V01
	Lab	TTh	7:50-10:40	1802		08/17-12/18	GR	
Day	20084	MW	11:30-12:45	1816	JENSEN	08/17-12/18	GR	V02
	Lab	TTh	11:00-1:50	1802		08/17-12/18	GR	
Day	22947	MW	1:00-2:15	1872	BRENNAN	08/17-12/18	GR	V03
	Lab	TTh	2:30-5:20	1802		08/17-12/18	GR	
Day	21486	MW	10:00-11:15	1872	DUDZIK	08/17-12/18	GR	V04
	Lab	MW	11:30-2:20	1802		08/17-12/18	GR	
Day	23652	MW	1:00-2:15	1008	STAFF	08/17-12/18	GR	V05
	Lab	MW	3:00-5:50	1802		08/17-12/18	GR	
Eve	20085	MW	5:00-6:15	1816	CHUMA	08/17-12/18	GR	093
	Lab	MW	6:30-9:20	1802		08/17-12/18	GR	

**CHEM 1B GENERAL COLLEGE CHEMISTRY II 5.0 Units**

Continuation of Chemistry 1A. Includes chemical energetics and equilibria, solutions and ionic equilibria, acid-base chemistry, electrochemistry, coordination chemistry, kinetics, nuclear chemistry, organic chemistry, and the chemistry of family groups of the periodic table. Laboratory emphasizes quantitative techniques, including instrumentation, and qualitative analysis.

*Prerequisite: CHEM 1A with a minimum grade of C.*

Day	20338	TTh	8:00-9:15	1872	ANSELL	08/17-12/18	GR	V01
	Lab	WF	8:00-10:50	1802		08/17-12/18	GR	
Eve	21896	TTh	5:30-6:45	1816	HAYNES	08/17-12/18	GR	093
	Lab	TTh	7:00-9:50	1802		08/17-12/18	GR	

**CHEM 12A ORGANIC CHEMISTRY I 5.0 Units**

Hydrocarbons, alkyl halides, alcohols, ethers, and an introduction to aromatic hydrocarbons. Structure, bonding, stereochemistry, conformational analysis, nomenclature, and physical properties in relation to these particular groups of compounds. Emphasis on reactivity and reaction mechanisms. Laboratory work includes microscale, macroscale, spectroscopic, and chromatographic techniques. Chemistry 12A is the first semester in a yearlong course in organic chemistry designed for students majoring in chemistry and related disciplines.

*Prerequisite: CHEM 1B with a minimum grade of C*

Day	22017	TTh	9:00-10:15	101	JENSEN	08/17-12/18	GR	V01
	Lab	WF	8:00-10:50	1805		08/17-12/18	GR	
Day	20133	MW	1:00-2:15	1874	ANSELL	08/17-12/18	GR	V02
	Lab	TTh	1:30-4:20	1805		08/17-12/18	GR	

Eve	20974	TTh	4:00-5:15	1814	HADEI	08/17-12/18	GR	093
	Lab	TTh	5:30-8:20	1805		08/17-12/18	GR	

**CHEM 30A INTRO AND APPLIED CHEMISTRY I 4.0 Units**

Chemistry of inorganic compounds, atomic theory, bonding, equations, gas laws, solutions, acid-base theory and oxidation-reduction. Designed to meet the requirements of certain programs in allied health and technological fields and for general education.

*Chabot Prerequisite: MTH 65, MTH 65B or, MTH 65L or, MTH 53 or, MTH 53B (completed with a grade of "C" or higher)*

*LPC Prerequisite: MATH 110 or MATH 110B with a minimum grade of C*

Day	20273	MW	8:00-9:15	1871	DUDZIK	08/17-12/18	GR	V01
	Lab	Th	8:00-10:50	1807		08/17-12/18	GR	
Day	20485	MW	8:00-9:15	1871	DUDZIK	08/17-12/18	GR	V02
	Lab	Fri	8:30-11:20	1807		08/17-12/18	GR	
Eve	20516	MW	5:00-6:15	1871	UNGERMANN	08/17-12/18	GR	093
	Lab	Mon	6:30-9:20	1807		08/17-12/18	GR	
Eve	22018	MW	5:00-6:15	1871	UNGERMANN	08/17-12/18	GR	094
	Lab	Wed	6:30-9:20	1807		08/17-12/18	GR	

**CHEM 30B INTRO AND APPLIED CHEMISTRY II 4.0 Units**

Continuation of Chemistry 30A with emphasis on organic and biochemical concepts related to human physiological systems.

*Prerequisite: Chemistry 30A with a minimum grade of C.*

Day	20538	MW	2:30-3:45	1871	TOBWALA	08/17-12/18	GR	V01
	Lab	Fri	12:00-2:50	1805		08/17-12/18	GR	
Eve	21580	MW	5:00-6:15	1874	GLUCHOWSKI	08/17-12/18	GR	093
	Lab	Mon	6:30-9:20	1805		08/17-12/18	GR	

**CHEM 31 INTRO TO COLLEGE CHEMISTRY 4.0 Units**

Elementary concepts of chemistry with emphasis on mathematical calculations; includes nomenclature, stoichiometry, atomic structure, gas laws, and acids and bases. Designed for majors in science and engineering.

*Prerequisite: Mathematics 55 or 55B (completed with a grade of "C" or higher).*

Day	20183	MW	1:00-2:15	1816	GROW	08/17-12/18	OP	V01
	Lab	Tue	1:30-4:20	1807		08/17-12/18	OP	
Day	20339	MW	1:00-2:15	1816	GROW	08/17-12/18	OP	V02
	Lab	Th	1:30-4:20	1807		08/17-12/18	OP	
Eve	20086	TTh	5:30-6:45	1011	DIVIN	08/17-12/18	OP	093
	Lab	Tue	7:00-9:50	1807		08/17-12/18	OP	
Eve	21493	TTh	5:30-6:45	1011	DIVIN	08/17-12/18	OP	094
	Lab	Th	7:00-9:50	1807		08/17-12/18	OP	

## COMMUNICATION STUDIES

**CMST I FUNDAMENTALS PUBLIC SPEAKING 3.0 Units**

Theory and techniques of public speaking. Discovery, development, and criticism of ideas in public discourse through research, reasoning, organization, composition, presentation, and evaluation of various types of speeches including informative and persuasive speeches; includes developing the faculties of critical listening and problem solving.

*Strongly Recommended: ENG 1A with a minimum grade of C*

Day	22052	MW	9:30-10:45	4213	BAUER	08/17-12/18	OP	V01
Day	22057	MW	2:30-3:45	4212	BREHE-JOHNS	08/17-12/18	OP	V02
Day	22140	TTh	8:00-9:15	4212	DOBSON	08/17-12/18	OP	V03
Day	22053	TTh	9:30-10:45	4212	DOBSON	08/17-12/18	OP	V04
Day	22058	TTh	9:30-10:45	4213	JOVIEN	08/17-12/18	OP	V05
Day	22060	TTh	11:00-12:15	4213	JOVIEN	08/17-12/18	OP	V06
Day	22054	TTh	12:30-1:45	4212	KELLNER	08/17-12/18	OP	V07
Day	22055	Fri	9:30-12:20	4213	HEISLER	08/17-12/18	OP	V09
Day	22049	MW	11:00-2:20	4212	HEISLER	08/17-10/09	OP	FT1

*CMST I-FT1 is a Fast Track course that meets from Aug 17-Oct 9.*

D/E	CRN	DAYS	TIMES	ROOM	INSTRUCTOR	DATES	CODES	SEC	D/E	CRN	DAYS	TIMES	ROOM	INSTRUCTOR	DATES	CODES	SEC
-----	-----	------	-------	------	------------	-------	-------	-----	-----	-----	------	-------	------	------------	-------	-------	-----

Day	22050	MW	11:00-2:20	4212	HEISLER	10/12-12/11	OP	FT2
CMST 1-FT2 is a Fast Track course that meets from Oct 12-Dec 11.								
Eve	22062	Tue	7:00-9:50	4213	PEREZ	08/17-12/18	OP	093
Eve	22063	MW	4:00-5:15	4212	BREHE-JOHNS	08/17-12/18	OP	094
Eve	22064	Mon	7:00-9:50	4212	BAUER	08/17-12/18	OP	095
Eve	22065	Th	7:00-9:50	4212	NORTON	08/17-12/18	OP	096
Eve	22141	Wed	6:00-8:50	2204	BAUER	08/17-12/18	OP	097
Web	22051	ONLINE			HEISLER	08/17-12/18	OP	DE1

CMST 1-DE1 is an online course. For more information, see the section titled "Online Learning," or go to <http://www.laspositascollege.edu/onlinelearning>.

Web	22059	ONLINE			HEISLER	08/17-12/18	OP	DE2
-----	-------	--------	--	--	---------	-------------	----	-----

CMST 1-DE2 is an online course. For more information, see the section titled "Online Learning," or go to <http://www.laspositascollege.edu/onlinelearning>.

Web	22061	ONLINE			KELLNER	08/17-12/18	OP	DE3
-----	-------	--------	--	--	---------	-------------	----	-----

CMST 1-DE3 is an online course. For more information, see the section titled "Online Learning," or go to <http://www.laspositascollege.edu/onlinelearning>.

Web	23257	ONLINE			KELLNER	08/17-12/18	OP	DE4
-----	-------	--------	--	--	---------	-------------	----	-----

CMST 1-DE4 is an online course. For more information, see the section titled "Online Learning," or go to <http://www.laspositascollege.edu/onlinelearning>.

Web	22056	ONLINE			HEISLER	08/17-12/18	OP	DE5
-----	-------	--------	--	--	---------	-------------	----	-----

CMST 1-DE5 is an online course. For more information, see the section titled "Online Learning," or go to <http://www.laspositascollege.edu/onlinelearning>.

### CMST 3 GROUP COMMUNICATION 3.0 Units

Principles of communication in a variety of group contexts. Theory, application, and evaluation of group communication processes, including norms, roles, problem solving, conflict management, decision making, and leadership. Includes participation in simulation exercises and group activities.

Day	22337	TTh	11:00-12:15	4212	KELLNER	08/17-12/18	OP	V01
-----	-------	-----	-------------	------	---------	-------------	----	-----

### CMST 4 INTRO TO COMMUNICATION STUDIES 3.0 Units

Introduction to the breadth of the communication discipline with a focus on the foundations of interpersonal communication, small group communication, and public speaking. Examination and practice of basic human communication principles and theories to in a variety of contexts.

Strongly Recommended: ENG 1A with a minimum grade of C

Day	22765	MW	9:30-10:45	4212	HEISLER	08/17-12/18	OP	V01
-----	-------	----	------------	------	---------	-------------	----	-----

### CMST 10 INTERPERSONAL COMMUNICATION 3.0 Units

Exploration, discussion, and evaluation of the principles of the verbal and non-verbal communication process in relationships. Study of theory and research findings and their application to communication in interpersonal relationships in personal and professional contexts.

Strongly Recommended: ENG 1A with a minimum grade of C

Eve	22066	Wed	7:00-9:50	4212	JOVIEN	08/17-12/18	OP	093
-----	-------	-----	-----------	------	--------	-------------	----	-----

Web	22339	ONLINE			DOBSON	08/17-12/18	OP	DE1
-----	-------	--------	--	--	--------	-------------	----	-----

CMST 10-DE1 is an online course. For more information, see the section titled "Online Learning," or go to <http://www.laspositascollege.edu/onlinelearning>.

Web	23348	ONLINE			KELLNER	08/17-12/18	OP	DE2
-----	-------	--------	--	--	---------	-------------	----	-----

CMST 10-DE2 is an online course. For more information, see the section titled "Online Learning," or go to <http://www.laspositascollege.edu/onlinelearning>.

### CMST 46 ARGUMENTATION AND DEBATE 3.0 Units

Methods of critical inquiry and advocacy of contemporary moral, political, economic, and philosophical issues in a diverse multicultural society. Identifying fallacies in reasoning and language, testing evidence and evidence sources, advancing a reasoned position, and defending and refuting arguments. Analysis, presentation, and evaluation of oral and written arguments.

Strongly Recommended: ENG 1A with a minimum grade of C

Eve	22067	Th	7:00-9:50	4213	PEREZ	08/17-12/18	OP	093
-----	-------	----	-----------	------	-------	-------------	----	-----

Web	22341	ONLINE			PEREZ	08/17-12/18	OP	DE1
-----	-------	--------	--	--	-------	-------------	----	-----

CMST 46-DE1 is an online course. For more information, see the section titled "Online Learning," or go to <http://www.laspositascollege.edu/onlinelearning>.

### CMST 48 ACTIVITIES IN FORENSICS 1.0 Units

Competition in the areas of public speaking and oral interpretation. Preparation, including research and writing; practice; and participation and performance in intercollegiate speech and debate tournaments.

Day	22068	Lab	Fri	1:30-4:20	4211	DOBSON	08/17-12/18	OP	V01
		Lab	By Arr	2.0 Hrs/Wk	4211		08/17-12/18	OP	

## COMPUTER INFORMATION SYSTEMS

### CIS 8 ESSENTIAL COMPUTING SKILLS 2.0 Units

Fundamental computer competency course designed to develop the basic computer skills and knowledge required in today's technological world. Basic computer competency is no longer a nicety, but a necessity in our personal and work lives. Topics include: basic computer hardware/software, networks and the Internet, effective web searches, file management skills, and cloud storage options. Hands-on experience with word processing, spreadsheet, presentation, and database software using Microsoft Office. No previous experience with computers is required.

Students MUST attend an orientation on either Tuesday, September 8 at 2:30pm or Thursday, September 10 at 1:30pm in Room 803. At the orientation, students will work with the instructor to schedule required class hours in the 803 computer lab. This is not an online class.

Day	20432	By Arr	1.8 Hrs/Wk	803B	STAFF	09/08-12/18	OP	LS1
		Lab	By Arr	1.8 Hrs/Wk	803B	09/08-12/18	OP	

CIS 8-LS1 is a Late Start course that meets from Sept 8-Dec 18.

Eve	20389	Mon	7:00-8:50	803B	STAFF	09/08-12/18	OP	LE1
		Lab	Wed	7:00-8:50	803B	09/08-12/18	OP	

CIS 8-LE1 is a Late Start course that meets from Sept 8-Dec 18.

### CIS 43 PROFESSIONAL COMMUNICATIONS 3.0 Units

This course applies the principles of ethical and effective communication to the creation of letters, memos, emails, and written and oral reports for a variety of business situations. The course emphasizes critical thinking, planning, organizing, composing, and revising business to create and deliver professional-level oral presentations. Additional focus will be placed on developing interpersonal skills, team participation skills, and technical report writing skills. Students who have completed or are enrolled in CNT 43 or CS 43 may not receive credit.

Prerequisite: ENG 1A or ENG 1AEX with a minimum grade of C

Web	20358	ONLINE			AUSTIN	08/17-12/18	OP	DE1
-----	-------	--------	--	--	--------	-------------	----	-----

CIS 43-DE1 is an online class. For more information, see the section titled "Online Learning" in this schedule, or go to <http://www.laspositascollege.edu/onlinelearning>.

### CIS 50 INTRO TO COMPUTING INFO TECH 3.0 Units

A comprehensive introduction to the concepts of management and information systems used in business and similar organizations. Covers the role of information systems in business, the need for data and information, how computers are used in business and other organizations to provide information. Focus on information systems, database management system, networking, e-commerce, ethics and security, computer system hardware and software components. Students will interactively solve applied problems utilizing software productivity tools such as: word processors, spreadsheets, databases, presentation, WWW, and programming languages. Introduce the analytical, written and oral communication skills necessary to communicate effectively in a business computing environment.

Day	20017	MW	12:30-1:45	1060	FIELDS	08/17-12/18	OP	V01
		Lab	ONLINE / HYBRID			08/17-12/18	OP	

CIS 50-V01 is a HYBRID course. Students will meet on campus on the days/times

D/E	CRN	DAYS	TIMES	ROOM	INSTRUCTOR	DATES	CODES	SEC	D/E	CRN	DAYS	TIMES	ROOM	INSTRUCTOR	DATES	CODES	SEC
-----	-----	------	-------	------	------------	-------	-------	-----	-----	-----	------	-------	------	------------	-------	-------	-----

indicated above. The remainder of the course will be completed online. For more information, see the section titled "Online Learning" in this schedule, or go to <http://www.laspositascollege.edu/onlinelearning>.

**Day 20016 TTh 12:30-1:45 1012 FIELDS 08/17-12/18 OP V02**  
**Lab ONLINE / HYBRID 08/17-12/18 OP**

CIS 50-V02 is a HYBRID course. Students will meet on campus on the days/times indicated above. The remainder of the course will be completed online. For more information, see the section titled "Online Learning" in this schedule, or go to <http://www.laspositascollege.edu/onlinelearning>.

**Eve 20357 MW 4:30-5:45 1060 MANGUIAT 08/17-12/18 OP 093**  
**Lab ONLINE / HYBRID 08/17-12/18 OP**

CIS 50-093 is a HYBRID course. Students will meet on campus on the days/times indicated above. The remainder of the course will be completed online. For more information, see the section titled "Online Learning" in this schedule, or go to <http://www.laspositascollege.edu/onlinelearning>.

**Web 20264 ONLINE MANGUIAT 08/17-12/18 OP DE1**

CIS 50-DE1 is an online course. For more information, see the section titled "Online Learning" in this schedule, or go to <http://www.laspositascollege.edu/onlinelearning>. Students must have access to Microsoft Office 2016 or Microsoft Office 2019 software.

**Web 20018 ONLINE STAFF 08/17-12/18 OP DE2**

CIS 50-DE2 is an online course. For more information, see the section titled "Online Learning" in this schedule, or go to <http://www.laspositascollege.edu/onlinelearning>. Students must have access to Microsoft Office 2016 or Microsoft Office 2019 software.

**CIS 54 EXCEL: INTRO TO SPREADSHEETS 4.0 Units**

This is a comprehensive spreadsheet class using Microsoft Excel to create a variety of spreadsheets with emphasis on business applications. Introductory, intermediate, and advanced topics are covered. Introductory topics include entering, editing, and formatting data, creating basic formulas using arithmetic operator and functions, creating charts, saving and printing worksheets. Intermediate topics include using Excel's Table features for sorting filtering and summarizing data, creating PivotTables, working with multiple worksheets and workbooks, naming cells, data validation, recording macros, and protecting worksheets. Advanced topics include using financial functions such as PMT, RATE, FV, creating nested IFs, using VLOOKUP and HLOOKUP functions, using What-If analysis tools such as Goal Seek, one and two variable Data Tables, and Scenario Manager, sharing workbooks, and integrating Excel with other Office applications.

*Strongly Recommended: CIS 50*

**Day 20151 Wed 11:00-1:45 804 HART 08/17-12/18 OP HY1**  
**ONLINE / HYBRID 08/17-12/18 OP**

CIS 54-HY1 is a HYBRID course. Students will meet on campus on the days/times indicated above. The remainder of the course will be completed online. For more information, see the section titled "Online Learning" in this schedule, or go to <http://www.laspositascollege.edu/onlinelearning>. Students must have access Microsoft Office 2019 software.

**Web 20555 ONLINE HART 08/17-12/18 OP DE1**

CIS 54-DE1 is an online course. For more information, see the section titled "Online Learning" in this schedule, or go to <http://www.laspositascollege.edu/onlinelearning>. Students must have access to Microsoft Office 2019 software.

**Web 21752 ONLINE AUSTIN 08/17-12/18 OP DE2**

CIS 54-DE2 is an online course. For more information, go to <http://www.laspositascollege.edu/onlinelearning>. Students must have access to Microsoft Office 2019 software.

**CIS 55 INTEGRATING OFFICE APPLICATION 4.0 Units**

Develop essential workplace application skills using current Microsoft Office including; Word, Excel, PowerPoint, Access, One Note, Outlook, cloud storage and cloud processing. Emphasis is to design, produce and integrate documents, worksheets, databases and professional presentations. The use of Object Linking and Embedding (OLE) to integrate, share, and collaborate data within and between applications.

*Strongly Recommended: CIS 50*

**Day 23338 Tue 9:30-12:20 804 FIELDS 08/17-12/18 OP HY1**  
**Lab ONLINE / HYBRID 08/17-12/18 OP**

CIS 55-HY1 is a HYBRID course. Students will meet on campus on the days/times indicated above. The remainder of the course will be completed online. For more information, see the section titled "Online Learning" in this schedule, or go to <http://www.laspositascollege.edu/onlinelearning>. Students must have access Microsoft Office 2019 software.

**Web 21836 ONLINE FIELDS 08/17-12/18 OP DE1**

CIS 55-DE1 is an online course. For more information, see the section titled "Online Learning" in this schedule, or go to <http://www.laspositascollege.edu/onlinelearning>. Students must have access to Microsoft Office 2019 software.

**CIS 57 DATABASE CONCEPTS 3.0 Units**

Introduction to Database Concepts, a computer program that is used to organize, store, and retrieve information. Understanding of data, database structure, and database objects using Microsoft Access or similar programs with emphasis on business applications. Identify and evaluate client needs/requirements and translate those needs into a working database application model. Integrate Microsoft Access data with other Microsoft applications, such as Word and Excel.

*Strongly Recommended: CIS 50 and CIS 55*

**Web 21919 ONLINE AUSTIN 08/17-12/18 OP DE1**

CIS 57-DE1 is an online course. For more information, see the section titled "Online Learning" in this schedule, or go to <http://www.laspositascollege.edu/onlinelearning>. Students must have access to Microsoft Office 2019 software.

**CIS 60 SYSTEMS ANALYSIS AND DESIGN 3.0 Units**

The course presents a systematic methodology for analyzing a business problem or opportunity, determining the role which computer-based technologies can play in addressing the business need, articulating business requirements for the technology solution, specifying alternative approaches to acquiring the technology capabilities needed to address the business requirements, and specifying the requirements for the information systems solution in particular, in-house development, development from third-party providers, or purchased commercial-off-the-shelf packages. Provides the opportunity to compare systems development life cycle (SDLC): processes like Waterfall, Agile.

*Strongly Recommended: CIS 50 with a minimum grade of C*

**Web 20654 ONLINE FIELDS 08/17-12/18 OP DE1**

CIS 60-DE1 is an online course. For more information, see the section titled "Online Learning" in this schedule, or go to <http://www.laspositascollege.edu/onlinelearning>.

**CIS 66 NETWORKING FUNDAMENTALS 3.0 Units**

This course provides an introduction to computer networking fundamentals skills needed to meet the industry demand for entry-level Network Technicians. Topics include: Ethernet network fundamentals, Local Area Networks (LANs), and Wide Area Networks (WAN) technologies, the Open Systems Interconnection (OSI) model, wiring implementations, network adapters and connectivity devices, IPv4/IPv6 addressing, Voice over IP (VoIP), and wireless standards. Tools to help prevent cyber-attacks with IDS (Intrusion Detection Systems), authentication, and encryption are demonstrated. Student labs include: configuration of a SOHO (Small Office/Home Office), a firewall, a virtual private network (VPN), a switch, and a router and documenting a networking using professional drawing software. The responsibilities of an ICT (Information and Communications Technology) professional will be introduced. This course prepares students for the CompTIA Network+ Certification Exam. This professional certification verifies the student has the knowledge equivalent to that of an ICT technician with about 12 months of hands-on experience. Students who have completed or are enrolled in CNT 52 may not receive credit.

*Strongly Recommended: CIS 50 with a minimum grade of C*

*This course includes content for the Google IT Support Professional Certificate. For more information please see <http://laspositascollege.edu/cnt-google/> or contact LaVaughn Hart at [lhart@laspositascollege.edu](mailto:lhart@laspositascollege.edu)*



D/E	CRN	DAYS	TIMES	ROOM	INSTRUCTOR	DATES	CODES	SEC	D/E	CRN	DAYS	TIMES	ROOM	INSTRUCTOR	DATES	CODES	SEC
-----	-----	------	-------	------	------------	-------	-------	-----	-----	-----	------	-------	------	------------	-------	-------	-----

**Eye 20109 Tue 6:00-8:50 804 WEICHERT 08/17-12/18 OP HYI**  
**Lab ONLINE 08/17-12/18 OP**  
*CIS 66-HYI is a HYBRID course. Students will meet on campus on the days/times indicated above. The remainder of the course will be completed online. For more information, see the section titled "Online Learning" in this schedule, or go to <http://www.laspositascollege.edu/onlinelearning>.*

**Web 22508 ONLINE WEICHERT 08/17-12/18 OP DEI**  
*CIS 66-DEI is an online course. For more information, see the section titled "Online Learning" in this schedule, or go to <http://www.laspositascollege.edu/onlinelearning>.*

**CIS 71A KEYBOARDING (THE ALPHABET) 1.0 Units**  
 Introduction to the alphabet letter keys on the computer keyboard for touch-typing. Learn basic keyboarding techniques for accuracy and speed. This course is the first in a series of sequential courses in keyboarding instruction. Students are advised to take these courses in sequence for best training results.  
*Course materials and software must be purchased from the college bookstore.*

**Day 20867 Lab TTh 1:30-3:00 803B STAFF 09/08-12/18 OP LSI**  
*CIS 71A-LSI is a Late Start course that meets from Sep 8-Dec 18.*

**Web 20238 ONLINE HARTMANN 09/08-12/18 OP LOI**  
*CIS 71A-LOI is a Late Start online course that meets from Sept 8-Dec 18. For more information, see the section titled "Online Learning" in this schedule, or go to <http://www.laspositascollege.edu/onlinelearning>.*

**CIS 71B KEYBOARD (NUMBERS AND SYMBOLS) 1.0 Units**  
 Introduction to the numbers and symbol keys on the computer keyboard for touch typing. Review of alphabetic keys and common punctuation marks. Speed building and accuracy improvement.

*Strongly Recommended: CIS 71A with a minimum grade of C*  
**Day 20868 Lab TTh 1:30-3:00 803B STAFF 09/08-12/18 OP LSI**  
*CIS 71B-LSI is a Late Start course that meets from Sep 8-Dec 18.*

**Web 20239 ONLINE HARTMANN 09/08-12/18 OP LOI**  
*CIS 71B-LOI is a Late Start online course that meets from Sept 8-Dec 18. For more information, see the section titled "Online Learning" in this schedule, or go to <http://www.laspositascollege.edu/onlinelearning>. Course materials and software must be purchased from the college bookstore.*

**CIS 71C SKILLS IMPROVEMENT 1.0 Units**  
 Development of keyboarding skill for those students who have learned the location of the keys on the keyboard by touch and are ready to increase speed and accuracy. Practice keyboarding control of speed and accuracy on straight copy, rough draft copy, and copy with numbers, and symbols. Skill progress is measured by keying text within specified time limits. Students should know the location of the keys on the keyboard before attempting this course. This course is the third module in a sequential series of beginning keyboarding instruction.

*Strongly Recommended: CIS 71B with a minimum grade of C*  
**Day 20869 Lab TTh 1:30-3:00 803B STAFF 09/08-12/18 OP LSI**  
*CIS 71C-LSI is a Late Start course that meets from Sep 8-Dec 18.*

**Web 20240 ONLINE HARTMANN 09/08-12/18 OP LOI**  
*CIS 71C-LOI is a Late Start online course that meets from Sept. 8-Dec 18. For more information, see the section titled "Online Learning" in this schedule, or go to <http://www.laspositascollege.edu/onlinelearning>. Course materials and software must be purchased from the college bookstore.*

**CIS 71A KEYBOARDING (THE ALPHABET) 1.0 Units**  
 Introduction to the alphabet letter keys on the computer keyboard for touch-typing. Learn basic keyboarding techniques for accuracy and speed. This course is the first in a series of sequential courses in keyboarding instruction. Students are advised to take these courses in sequence for best training results.

**Day 23339 Lab By Arr 3.6 Hrs/Wk 803B STAFF 09/08-12/18 OP LS3**  
*CIS 71A-LS3 is a Late Start course that meets from Sept 8-Dec 18.*

**CIS 71B KEYBOARD (NUMBERS AND SYMBOLS) 1.0 Units**  
 Introduction to the numbers and symbol keys on the computer keyboard for touch typing. Review of alphabetic keys and common punctuation marks. Speed building and accuracy improvement.

*Strongly Recommended: CIS 71A with a minimum grade of C*  
**Day 23340 Lab By Arr 3.6 Hrs/Wk 803B STAFF 09/08-12/18 OP LS3**  
*CIS 71B-LS3 is a Late Start course that meets from Sept 8-Dec 18.*

**CIS 71C SKILLS IMPROVEMENT 1.0 Units**  
 Development of keyboarding skill for those students who have learned the location of the keys on the keyboard by touch and are ready to increase speed and accuracy. Practice keyboarding control of speed and accuracy on straight copy, rough draft copy, and copy with numbers, and symbols. Skill progress is measured by keying text within specified time limits. Students should know the location of the keys on the keyboard before attempting this course. This course is the third module in a sequential series of beginning keyboarding instruction.

*Strongly Recommended: CIS 71B with a minimum grade of C*  
**Day 23341 Lab By Arr 3.6 Hrs/Wk tba STAFF 09/08-12/18 OP LS3**  
*CIS 71C-LS3 is a Late Start course that meets from Sept 8-Dec 18.*

**CIS 72A DATA MANAGEMENT 1.0 Units**  
 Individualized instruction on the theory and practice of alphabetic, numeric, geographic, and subject filing. Basic principles of filing and effective records management for both paper and electronic filing systems. Introduction to database functions, such as enter, editing, finding, and deleting records, creating queries, and printing report.

**Day 20387 Lab By Arr 3.6 Hrs/Wk 803B STAFF 09/08-12/18 OP LSI**  
*CIS 72A-LS3 is a Late Start course that meets from Sept 8-Dec 18.*

**CIS 72B BASIC OFFICE INTEGRATION 1.0 Units**  
 Using a project-based approach, students will be introduced to features that enable data to be transferred between programs such as Microsoft Office applications or Google applications. Using the techniques introduced in this course, students will be able to incorporate data and charts created in Excel or Google Sheets into Word or Google Docs documents and PowerPoint or Google Presentations, use worksheet data to create tables in an Access database, and use a Word or Google Docs documents to create presentations.

*Strongly Recommended: CIS 50 or CIS 8 with a minimum grade of C*  
**Day 20388 Lab By Arr 3.6 Hrs/Wk 803B STAFF 09/08-12/18 OP LSI**  
*CIS 72B-LSI is a Late Start course that meets from Sept 8-Dec 18.*

**CIS 73A TEN-KEY SKILL DEVELOPMENT 1.0 Units**  
 Skill development on the computer numeric keypad, electronic calculator including use of memory functions, and data entry using spreadsheets.

**Day 20112 Lab By Arr 3.6 Hrs/Wk 803B STAFF 09/08-12/18 OP LS2**  
*CIS 73A-LS2 is a Late Start course that meets from Sept 8-Dec 18.*

**CIS 75 OFFICE TECH./COMMUNICATIONS 1.0 Units**  
 Overview of various technologies (such as video-conferencing, cloud services and storage, mobile devices) used for

**THE FOLLOWING DAY CIS CLASSES ARE OFFERED ON AN INDIVIDUALIZED HANDS-ON BASIS: CIS 71A, CIS 71B, CIS 71C, 72A, 72B, 73A, & 75**

*Lab hours are arranged with the instructor by reporting to the 803 computer lab at 9:30am or 10:30am on Wednesday, September 9, 2020. If you are unable to come to the 803 lab September 9, 2020, you must contact the instructor within the first week of class. For more information, contact LaVaughn Hart via email at [lhart@laspositascollege.edu](mailto:lhart@laspositascollege.edu).*



D/E	CRN	DAYS	TIMES	ROOM	INSTRUCTOR	DATES	CODES	SEC	D/E	CRN	DAYS	TIMES	ROOM	INSTRUCTOR	DATES	CODES	SEC
-----	-----	------	-------	------	------------	-------	-------	-----	-----	-----	------	-------	------	------------	-------	-------	-----

communicating internally and externally in the workplace. Hands-on practice with Outlook (email, contact management, calendaring), cloud-based applications and data storage, and telephone technique.

*Strongly Recommended: Eligibility for English 1A and CIS 71A with a minimum grade of C*

Day 20176 Lab By Arr 3.6 Hrs/Wk 803B STAFF 09/08-12/18 OP LS2  
CIS 75-LS2 is a Late Start course that meets from Sept 8-Dec 18.

able to incorporate data and charts created in Excel or Google Sheets into Word or Google Docs documents and PowerPoint or Google Presentations, use worksheet data to create tables in an Access database, and use a Word or Google Docs documents to create presentations.

*Strongly Recommended: CIS 50 or CIS 8 with a minimum grade of C*

Eve 20111 Lab By Arr 3.6 Hrs/Wk 803B STAFF 09/08-12/18 OP LS2  
CIS 72B-LS2 is a Late Start course that meets from Sept 8-Dec 18.

**THE FOLLOWING EVENING CIS CLASSES ARE OFFERED ON AN INDIVIDUALIZED HANDS-ON BASIS: CIS 71A, CIS 71B, CIS 71C, 72A, 72B, 73A, & 75**

Lab hours are arranged with the instructor by reporting to the 803 computer lab at 6:30 pm or 7:30 pm on Wednesday, September 9, 2020. If you are unable to come to the 803 lab September 9, 2020, you must contact the instructor within the first week of class. For more information, contact LaVaughn Hart via email at [lhart@laspositascollege.edu](mailto:lhart@laspositascollege.edu).

**CIS 71A KEYBOARDING (THE ALPHABET) 1.0 Units**  
Introduction to the alphabet letter keys on the computer keyboard for touch-typing. Learn basic keyboarding techniques for accuracy and speed. This course is the first in a series of sequential courses in keyboarding instruction. Students are advised to take these courses in sequence for best training results.

Eve 20870 Lab By Arr 3.6 Hrs/Wk 803B STAFF 09/08-12/18 OP LS2  
CIS 71A-LS2 is a Late Start course that meets from Sept 8-Dec 18.

**CIS 71B KEYBOARD (NUMBERS AND SYMBOLS) 1.0 Units**  
Introduction to the numbers and symbol keys on the computer keyboard for touch typing. Review of alphabetic keys and common punctuation marks. Speed building and accuracy improvement.

*Strongly Recommended: CIS 71A with a minimum grade of C*

Eve 20871 Lab By Arr 3.6 Hrs/Wk 803B STAFF 09/08-12/18 OP LS2  
CIS 71B-LS2 is a Late Start course that meets from Sept 8-Dec 18.

**CIS 71C SKILLS IMPROVEMENT 1.0 Units**  
Development of keyboarding skill for those students who have learned the location of the keys on the keyboard by touch and are ready to increase speed and accuracy. Practice keyboarding control of speed and accuracy on straight copy, rough draft copy, and copy with numbers, and symbols. Skill progress is measured by keying text within specified time limits. Students should know the location of the keys on the keyboard before attempting this course. This course is the third module in a sequential series of beginning keyboarding instruction.

*Strongly Recommended: CIS 71B with a minimum grade of C*

Eve 20872 Lab By Arr 3.6 Hrs/Wk 803B STAFF 09/08-12/18 OP LS2  
CIS 71C-LS2 is a Late Start course that meets from Sept 8-Dec 18.

**CIS 72A DATA MANAGEMENT 1.0 Units**  
Individualized instruction on the theory and practice of alphabetic, numeric, geographic, and subject filing. Basic principles of filing and effective records management for both paper and electronic filing systems. Introduction to database functions, such as enter, editing, finding, and deleting records, creating queries, and printing report.

Eve 20110 Lab By Arr 3.6 Hrs/Wk 803B STAFF 09/08-12/18 OP LS2  
CIS 72A-LS2 is a Late Start course that meets from Sept 8-Dec 18.

**CIS 72B BASIC OFFICE INTEGRATION 1.0 Units**  
Using a project-based approach, students will be introduced to features that enable data to be transferred between programs such as Microsoft Office applications or Google applications. Using the techniques introduced in this course, students will be

**CIS 73A TEN-KEY SKILL DEVELOPMENT 1.0 Units**  
Skill development on the computer numeric keypad, electronic calculator including use of memory functions, and data entry using spreadsheets.

Eve 20588 Lab By Arr 3.6 Hrs/Wk 803B STAFF 09/08-12/18 OP LS1  
CIS 73A-LS1 is a Late Start course that meets from Sept 8-Dec 18.

**CIS 75 OFFICE TECH./COMMUNICATIONS 1.0 Units**  
Overview of various technologies (such as video-conferencing, cloud services and storage, mobile devices) used for communicating internally and externally in the workplace. Hands-on practice with Outlook (email, contact management, calendaring), cloud-based applications and data storage, and telephone technique.

*Strongly Recommended: Eligibility for English 1A and CIS 71A with a minimum grade of C*

Eve 20362 Lab By Arr 3.4 Hrs/Wk 803B STAFF 09/08-12/18 OP LS1  
CIS 75-LS1 is a Late Start course that meets from Sept 8-Dec 18.

**CIS 74 OFFICE PROCEDURES 3.0 Units**  
Introduction to office principles, procedures, and technology. Topics include telephone skills, office equipment, working effectively in a team environment, records management, customer service, meeting/event planning, postal/shipping services, utilizing the internet for on-line services and resources, using appropriate software to complete common tasks, written and oral business communications, conflict resolution, and office etiquette. Prepares administrative professionals to work in a diversified workforce with emerging technologies. (Formerly BUSN 74.)

*Strongly Recommended: CIS 8 and CIS 71C*

Web 22354 ONLINE HARTMANN 08/17-12/18 OP DEI  
CIS 74-DEI is an online course. For more information, see the section titled "Online Learning" in this schedule, or go to <http://www.laspositascollege.edu/onlinelearning>. Students must have access to Microsoft Office 2016 or Microsoft Office 2019 software.

**CIS 79 MEDICAL OFFICE PROCEDURE 3.0 Units**  
Medical office principles and procedures to include telecommunications, scheduling appointments, office equipment, medical documents and word processing, managing medical records, banking, payroll, expense reports, petty cash, billing, recordkeeping, postal services, health insurance, coding, and utilizing the Internet for online financial services and resources. The importance of medical ethics in application of professional office behavior. Overview of medical law and careers in medical office environment.

*Strongly Recommended: CIS 8 and CIS 88A with a minimum grade of C*

Web 20997 ONLINE HARTMANN 08/17-12/18 OP DEI  
CIS 79-DEI is an online course. For more information, see the section titled "Online Learning" in this schedule, or go to <http://www.laspositascollege.edu/onlinelearning>. Students must have access to Microsoft Office 2016 or Microsoft Office 2019 software.

**CIS 84 WINDOWS 1.0 Units**  
Hands-on class introducing Microsoft Windows operations. Topics include: logging in, the Windows Desktop, launching applications, working with multiple applications windows, proper shutdown techniques, and using Microsoft Edge to browse the web. File and folder management are also covered including

D/E	CRN	DAYS	TIMES	ROOM	INSTRUCTOR	DATES	CODES	SEC	D/E	CRN	DAYS	TIMES	ROOM	INSTRUCTOR	DATES	CODES	SEC
-----	-----	------	-------	------	------------	-------	-------	-----	-----	-----	------	-------	------	------------	-------	-------	-----

creating folders, copying and moving files and folders, searching for specific files, and navigating drives and folders.

Day	20589	Tue	12:30-1:20	803B	STAFF	10/12-12/11	OP	FT2
Lab	Tue	1:25-2:35	803B			10/12-12/11	OP	
Lab	Th	12:30-2:15	803B			10/12-12/11	OP	

*CIS 84-FT2 is a Fast Track course that meets from Oct 12-Dec 11.*

**CIS 88A INTRODUCTION TO MICROSOFT WORD 1.5 Units**

Develop the skills needed in the workplace to produce common business documents, such as letters, resumes, flyers, and reports. Topics include document creation and editing; use of Microsoft Word features to apply character and paragraph formatting; creating and formatting tables, enhancing visual appeal by incorporating graphics elements, using the mail merge feature, and printing documents.

*Strongly Recommended: CIS 71A*

Day	20137	TTh	12:30-1:20	803B	STAFF	08/17-10/09	OP	FT1
Lab	TTh	1:30-2:45	803B			08/17-10/09	OP	

*CIS 88A-FT1 is a Fast Track course that meets from Aug 17-Oct 9.*

**Web 20348 ONLINE STAFF 08/17-10/09 OP DEI**  
*CIS 88A-DEI is a Fast Track online course that meets from Aug 17-Oct 9. For more information, see the section titled "Online Learning" in this schedule, or go to <http://www.laspositascollege.edu/onlinelearning>. Students must have access to Microsoft Office 2019 software.*

**CIS 88B ADV MICROSOFT WORD 1.5 Units**

Advanced word processing techniques used to produce complex business documents. Includes topics such as format multiple page reports, create tables of contents and indexes, insert footnotes/endnotes, using Word's collaboration features to share documents, create macros to automate tasks, and integrate data from Excel and other programs.

*Strongly Recommended: CIS 88A*

Day	20186	TTh	12:30-1:25	803B	STAFF	10/12-12/11	OP	FT2
Lab	TTh	1:35-2:55	803B			10/12-12/11	OP	

*CIS 88B-FT2 is a Fast Track course that meets from Oct 12-Dec 11.*

**Web 20349 ONLINE STAFF 10/12-12/11 OP LO1**  
*CIS 88B-LO1 is a Fast Track online course that meets from Oct 12-Dec 11. For more information, see the section titled "Online Learning" in this schedule, or go to <http://www.laspositascollege.edu/onlinelearning>. Students must have access to Microsoft Office 2019 software.*

**CIS 89A DESKTOP PRESENTATION 1.0 Units**

Desktop presentation design techniques and enhancements. Application using current desktop presentation software. Hands-on experience creating, editing, saving, printing slide shows, incorporating graphics, charts, tables, SmartArt, sounds, and video, enhancing presentations using transitions and animations.

Day	20175	Tue	12:30-1:25	803B	STAFF	10/12-12/11	OP	FT2
Lab	Tue	1:30-2:20	803B			10/12-12/11	OP	
Lab	Th	12:30-2:20	803B			10/12-12/11	OP	

*CIS 89A-FT2 is a Fast Track course that meets from Oct 12-Dec 11.*

Eve	20174	Mon	6:30-7:20	803B	STAFF	10/12-12/11	OP	FT3
Lab	Mon	7:30-8:45	803B			10/12-12/11	OP	
Lab	Wed	6:30-8:45	803B			10/12-12/11	OP	

*CIS 89A-FT3 is a Fast Track course that meets from Oct 12-Dec 11.*

**Web 20350 ONLINE STAFF 10/12-12/11 OP LO1**  
*CIS 89A-LO1 is a Fast Track online course that meets from Oct 12-Dec 11. For more information, see the section titled "Online Learning" in this schedule, or go to <http://www.laspositascollege.edu/onlinelearning>. Students must have access to Microsoft Office 2019 software.*

**WEB DEVELOPMENT**

**CIS 59 WEB DEV: HTML/CSS/JAVASCRIPT 3.0 Units**

This course will provide a fundamental understanding of the methods and techniques of developing a simple to moderately

complex web site. Topics include: creating webpages with current standard webpage language (HTML), cascading style sheets (CSS), and JavaScript. Exploration of incorporating images, audio/visual media, and interactive tools like forms and image maps. This course prepares apprentice Web developers to identify the information needs of a client, design appropriate WWW solutions, and implement them.

*Strongly Recommended: CIS 50*

Eve	22353	Th	6:30-8:45	1013	VANI	08/17-12/18	OP	HY1
Lab			ONLINE			08/17-12/18	OP	

*CIS 59-HY1 is a HYBRID course. Students will meet on campus on the days/times indicated above. The remainder of the course will be completed online. For more information, see the section titled "Online Learning" in this schedule, or go to <http://www.laspositascollege.edu/onlinelearning>.*

**CIS 92 WEB: PHP PROGRAMMING, MYSQL 3.0 Units**

This course showcases the popular and powerful PHP (Hypertext Preprocessor), an open Source, server-side scripting language that can be easily integrated with HTML and SQL. For web developers who need to add dynamic content to their web sites, including form processing, database-driven content, password protection, cookie processing. You will learn how PHP can be combined with MySQL to integrate database functions into websites.

*Strongly Recommended: CIS 59*

Web	23344	ONLINE	VANI	08/17-12/18	OP	DEI
-----	-------	--------	------	-------------	----	-----

*CIS 92-DEI is an online course. For more information, see the section titled "Online Learning" in this schedule, or go to <http://www.laspositascollege.edu/onlinelearning>.*

**CLOUD COMPUTING**

**CIS 81A INTRO TO CLOUD COMPUTING 3.0 Units**

This course introduces cloud computing which shifts information systems from on premises computing infrastructure to highly scalable internet architectures using current cloud platforms such as AWS, AZURE. The course provides a basic understanding of cloud computing technologies and provides students with the understanding required to effectively evaluate and assess the business and technical benefits of cloud computing and cloud applications. Students analyze a variety of cloud services (storage, servers, software applications), then learn to configure, deploy, and manage cloud facilities. The course also demonstrates/makes available the AWS and/or AZURE platforms for educational, industry career path guidance and career opportunities. This course surveys cloud careers and explores industry demand for cloud skills.

Web	23342	ONLINE	FIELDS	08/17-10/09	OP	DEI
-----	-------	--------	--------	-------------	----	-----

*CIS 81A-DEI is an online course. For more information, see the section titled "Online Learning" in this schedule or go to <http://www.laspositascollege.edu/onlinelearning>.*

**CIS 81B DATABASE ESSENTIALS IN CLOUD 3.0 Units**

This course addresses cloud database management which supports a number of different approaches for storing data. In the course, students define, operate and scale both SQL and NoSQL data storage solutions. This course considers factors that should be balanced during the design of a storage solution. Principles are SQL to create and fill tables, retrieve and manipulate data. Object-based APIs are used to serialize objects to Amazon DynamoDB for NoSQL solutions. Topics include automated backups, transaction logs, restoration and retention.

*Strongly Recommended: CIS 81A with a minimum grade of C*

Web	23343	ONLINE	FIELDS	10/12-12/11	OP	LO1
-----	-------	--------	--------	-------------	----	-----

*CIS 81B-DEI is an online course. For more information, see the section titled "Online Learning" in this schedule, or go to <http://www.laspositascollege.edu/onlinelearning>.*

## COMPUTER NETWORKING TECHNOLOGY

### CNT 43 PROFESSIONAL COMMUNICATIONS 3.0 Units

This course applies the principles of ethical and effective communication to the creation of letters, memos, emails, and written and oral reports for a variety of business situations. The course emphasizes critical thinking, planning, organizing, composing, and revising business to create and deliver professional-level oral presentations. Additional focus will be placed on developing interpersonal skills, team participation skills, and technical report writing skills. Students who have completed or are enrolled in CIS 43 or CS 43 may not receive credit.

*Prerequisite: ENG 1A or ENG 1AEX with a minimum grade of C*

**Web 20359 ONLINE AUSTIN 08/17-12/18 OP DEI**

CNT 43-DEI is an online class. For more information, see the section titled "Online Learning" in this schedule, or go to <http://www.laspositascollege.edu/onlinelearning>.

### CNT 51 COMPTIA'S A+ CERT. COMP.TECH 4.0 Units

This course provides an introduction to the computer hardware and software skills needed to help meet the industry demand for entry-level PC Technicians. This course covers PC hardware, software, security, networking, laptops, printers, operational procedures, operating systems, security, troubleshooting, and mobile devices. The students will study the topics needed to become certified PC technicians. Preparation for the CompTIA A+ certification, which verifies knowledge equivalent to that of an entry-level ICT (Information and Communications Technology) technician with about 12 months of hands-on experience. The responsibilities of an ICT professional will be introduced.

*Strongly Recommended: CIS 50 with a minimum grade of C*

*This course includes content for the Google IT Support Professional Certificate.*

*For more information, please see <http://laspositascollege.edu/cnt-google/> or contact LaVaughn Hart at [lhart@laspositascollege.edu](mailto:lhart@laspositascollege.edu).*

Eve	21837	Th	6:00-8:50	804	WEICHERT	08/17-12/18	OP	HYI
		Lab	ONLINE			08/17-12/18	OP	

CNT 51-HYI is a HYBRID course. Students will meet on campus on the days/times indicated above. The remainder of the course will be completed online. For more information, see the section titled "Online Learning" in this schedule, or go to <http://www.laspositascollege.edu/onlinelearning>.

**Web 22573 ONLINE WEICHERT 08/17-12/18 OP DEI**

CNT 51-DEI is an online course. For more information, see the section titled "Online Learning" in this schedule or go to <http://www.laspositascollege.edu/onlinelearning>.

### CNT 52 NETWORKING FUNDAMENTALS 3.0 Units

This course provides an introduction to computer networking fundamentals skills needed to meet the industry demand for entry-level Network Technicians. Topics include: Ethernet network fundamentals, Local Area Networks (LANs), and Wide Area Networks (WAN) technologies, the Open Systems Interconnection (OSI) model, wiring implementations, network adapters and connectivity devices, IPv4/IPv6 addressing, Voice over IP (VoIP), and wireless standards. Tools to help prevent cyber-attacks with IDS (Intrusion Detection Systems), authentication, and encryption are demonstrated. Student labs include: configuration of a SOHO (Small Office/Home Office), a firewall, a virtual private network (VPN), a switch, and a router and documenting a networking using professional drawing software. The responsibilities of an ICT (Information and Communications Technology) professional will CompTIA Network+ Certification Exam. This professional certification verifies the student has the knowledge equivalent to that of an ICT technician with about 12 months of hands-on experience. Students who have completed or are enrolled in CIS 66 may not receive credit.

*Strongly Recommended: CIS 50 with a minimum grade of C*

*This course includes content for the Google IT Support Professional Certificate. For more information, please see <http://laspositascollege.edu/cnt-google/> or contact LaVaughn Hart at [lhart@laspositascollege.edu](mailto:lhart@laspositascollege.edu).*

Eve	20266	Tue	6:00-8:50	804	WEICHERT	08/17-12/18	OP	HYI
		Lab	ONLINE			08/17-12/18	OP	

CIS 52-HYI is a HYBRID course. Students will meet on campus on the days/times indicated above. The remainder of the course will be completed online. For more information, see the section titled "Online Learning" in this schedule, or go to <http://www.laspositascollege.edu/onlinelearning>.

**Web 22513 ONLINE WEICHERT 08/17-12/18 OP DEI**

CIS 52-DEI is an online course. For more information, see the section titled "Online Learning" in this schedule, or go to <http://www.laspositascollege.edu/onlinelearning>.

### CNT 55 MCSA-I WINDOWS SERVER 3.0 Units

This course prepares students for the Microsoft's Examination: Installation, Storage and Compute with Windows Server, which is the first of three exams a student must pass to obtain a MCSA (Microsoft Certified Solutions Associate) Certification. By passing this exam, one become a Microsoft Certified Professional (MCP) and gains access to MCP network or computer systems administrator or as a computer network specialist. The topics include installation, storage, and compute features and functionality available in the current Windows Server, Nano Server, images for deployment, storage solutions, data deduplication, high availability, disaster recovery, storage spaces direct, and failover clustering solutions. Also covered: Hyper-V and containers.

*Strongly Recommended: CNT 52 with a minimum grade of C*

*This course includes content for the Google IT Support Professional Certificate.*

*For more information, please see <http://laspositascollege.edu/cnt-google/> or contact LaVaughn Hart, <mailto:lhart@laspositascollege.edu>*

**Web 22689 ONLINE STAFF 08/17-12/18 OP DEI**

CNT 55-DEI is an online course. For more information, see the section titled "Online Learning" in this schedule, or go to <http://www.laspositascollege.edu/onlinelearning>.

### CNT 68 DIGITAL FORENSICS FUNDAMENTALS 3.0 Units

A practical course in Digital Forensics; the detection, and investigation of incidents involving computers, networks, the Internet, and digital information. Case oriented, following the objectives for the CFE Computer Forensics Examiner certification exam and the International Association of Computer Investigative Specialists (IACIS), the class includes understanding and practice in basic computer forensics, methods of investigation, analysis of storage media, logs, and tracking persons and data, using court-approved evidence collection tools. Also, covered, computer forensics as a profession; the computer investigation process, and technical writing.

*Strongly Recommended: CIS 66 with a minimum grade of C*

Eve	23345	Tue	6:30-9:20	805	DAOUD	08/17-12/18	OP	HYI
		Lab	ONLINE			08/17-12/18	OP	

CNT 68-HYI is a HYBRID course. Students will meet on campus on the days/times indicated above. The remainder of the course will be completed online. For more information, see the section titled "Online Learning" in this schedule or go to <http://www.laspositascollege.edu/onlinelearning>.

### CNT 69 NETWORK SECURITY; COMPTIA 3.0 Units

The CompTIA Security+ exam will certify the successful candidate has the knowledge and skills required to install and configure systems to secure applications, networks, and devices; perform threat analysis and respond with appropriate mitigation techniques; participate in risk mitigation activities; and operate with an awareness of applicable policies, laws, and regulations. The successful candidate will perform these tasks to support the principles of confidentiality, integrity, and availability. This course provides an introduction to the concepts and practices of secure network design and management using desktop and network operating systems, router and switch operating systems, hardware and software Firewall and VPN technology for wired and



D/E	CRN	DAYS	TIMES	ROOM	INSTRUCTOR	DATES	CODES	SEC	D/E	CRN	DAYS	TIMES	ROOM	INSTRUCTOR	DATES	CODES	SEC
-----	-----	------	-------	------	------------	-------	-------	-----	-----	-----	------	-------	------	------------	-------	-------	-----

wireless systems. The program includes authentication methods and devices, protocol analysis and IP network troubleshooting, strategies for identifying and countering vulnerabilities, network media and topologies in a secure network, intrusion detection and forensic incident response. CompTIA Security+ meets the ISO 17024 standard and is approved by U.S. Department of Defense. Security+ is also compliant with government regulations under the Federal Information Security Management Act (FISMA).

*Strongly Recommended: CNT 51 and CNT 52 with a minimum grade of C*

**Web 21581 ONLINE DAUD 08/17-12/18 OP DEI**  
 CNT 69-DEI is an online course. For more information, see the section titled "Online Learning" in this schedule, or go to <http://www.laspositascollege.edu/onlinelearning>. This course includes content for the Google IT Support Professional Certificate. For more information, please see <http://laspositascollege.edu/cnt-google/> or contact LaVaughn Hart, at [lhart@laspositascollege.edu](mailto:lhart@laspositascollege.edu)

**CNT 7285 CLOUD INFRASTRUCTURE: COMPTIA 3.0 Units**

IT professionals need to understand the concepts and principles required to build cloud infrastructure. This course covers the objectives of the CompTIA Cloud+ and Dell/EMC Cloud Infrastructure and Services (CIS) certification exams. Topics include: Cloud Computing Concepts; Models; Disk Storage Systems; Storage Networking; Network Infrastructure; Virtualization Components; Virtualization and the Cloud; Network Management; Performance Tuning; Systems Management; Security in the Cloud and Best Practices; Business Continuity and Disaster Recovery; Testing; Automation; and Changes. The EMC cloud computing reference model includes five fundamental layers (physical, virtual, control, orchestration, and service) and three cross-layer functions (business continuity, security, and service management). Technologies, components, processes, and mechanisms for each layer and cross-layer function will be covered. The course follows the U.S. National Institute of Standards and Technology as a guide for all definitions of cloud computing. Upon completing this course, participants will have the knowledge to make informed decisions on technologies, processes, and mechanisms required to build cloud infrastructure. CompTIA certification is normally valid for three years.

*Strongly Recommended: CNT 8001 with a minimum grade of C*

Eve	22355	Th	6:30-8:45	805	DAUD	08/17-12/18	OP	HYI
		Lab	ONLINE / HYBRID			08/17-12/18	OP	

CNT 7285-HYI is a HYBRID course. Students will meet on campus on the days/times indicated above. The remainder of the course will be completed online. For more information, see the section titled "Online Learning" in this schedule, or go to <http://www.laspositascollege.edu/onlinelearning>.

**CNT 7401 INTRO TO LINUX, UNIX, LINUX+ 3.0 Units**

This course provides hands-on training covering basic installation, management, configuration, documentation and hardware topics for the Linux/UNIX operating system on workstations in a network environment. The course includes comprehensive coverage of topics related to Linux distributions, installation, administration, X-Windows, and networking. Students who have completed or are enrolled in Computer Science 41 may not receive credit.

*Strongly Recommended: CIS 50 with a minimum grade of C*

Eve	20537	Mon	6:30-8:50	805	KOMANETSKY	08/17-12/18	OP	HYI
			ONLINE / HYBRID			08/17-12/18	OP	

CNT 7401-HYI is a HYBRID course. Students will meet on campus on the days/times indicated above. The remainder of the course will be completed online. For more information, see the section titled "Online Learning" in this schedule, or go to <http://www.laspositascollege.edu/onlinelearning>.

**CNT 8001 CISCO CCNA1/3 INTRO TO NETWORK 3.0 Units**

This is course 1 of 3 of the Cisco CCNA Routing and Switching Certification Objectives. The concepts covered in this course include advances in modern network technologies; Protocols and Models: how network protocols enable devices to access local

and remote network resources; Physical Layer: how physical layer protocols, services, and network media support communications across networks; Data Link Layer: how media access control in the data link layer supports communication across networks; Ethernet Switching: how Ethernet operates in a switched network; Network Layer: how routers use network layer protocols and services to enable end-to-end connectivity; Address Resolution: Protocol (ARP) and Neighbor Discovery (ND) enable communication on a local area network; Transport Layer & Application Layer: Explain the operation of layers protocols in providing support to end-user applications. The hands-on labs include implementation of initial settings including passwords, IP addressing, and default gateway parameters on a network switch and end devices; Basic Switch and Device Configuration; Calculation of numbers between decimal and binary systems; IPv4 Addressing: IPv4 subnetting scheme to segment a network; Implementing an IPv6 addressing scheme; ICMP and various tools to test network connectivity; Network Security Fundamentals: Configure switches and routers with device hardening features to enhance security; Build a Small Network: Implement a network design for a small network to include a router, a switch, and end devices.

*Strongly Recommended: CIS 50 with a minimum grade of C*

Eve	23346	Wed	6:30-8:50	805	DAUD	08/17-10/09	OP	HYI
			ONLINE / HYBRID			08/17-10/09	OP	

CNT 8001-HYI is a Fast Track HYBRID course that meets from Aug 17-Oct 9. Students will meet on campus on the days/times indicated above. The remainder of the course will be completed online. For more information, see the section titled "Online Learning" in this schedule, or go to <http://www.laspositascollege.edu/onlinelearning>.

**CNT 8002 CISCO CCNA2/3 SWITCHING, ROUT 3.0 Units**

This is course 2 of 3 of the Cisco CCNA Routing and Switching Certification Objectives. The concepts covered in this course include Switching: how Layer 2 switches forward data; how STP enables redundancy in a Layer 2 network; the operation of dynamic address allocation in IPv6 networks by using SLAAC and DHCPv6; how FHRPs provide default gateway services in a redundant network; how vulnerabilities compromise LAN security; how Wireless LANs enable network connectivity; how routers use information in packets to make forwarding decisions; and troubleshooting static and default route configurations. The hands-on labs include Basic Configuration of devices by using security best practices; Implementing VLANs and trunking in a switched network; Troubleshooting inter-VLAN routing on Layer 3 devices; Troubleshooting EtherChannel on switched links; Implementing DHCPv4 to operate across multiple LANs; Configuring switch security to mitigate LAN attacks; Implementing a WLAN using a wireless router and WLC; configuring and troubleshooting IPv4 and IPv6 floating static routes.

*Strongly Recommended: CNT 8001 with a minimum grade of C*

Eve	23347	Wed	6:30-8:50	805	DAUD	10/12-12/11	OP	LDI
			ONLINE / HYBRID			10/12-12/11	OP	

CNT 8002-LDI is a Fast Track HYBRID course that meets from Oct 12-Dec 11. Students will meet on campus on the days/times indicated above. The remainder of the course will be completed online. For more information, see the section titled "Online Learning" in this schedule, or go to <http://www.laspositascollege.edu/onlinelearning>.

## COMPUTER SCIENCE

**CS 1 COMPUTING FUNDAMENTALS I 4.0 Units**

Introduction to programming and problem-solving using C++. Problem solving techniques and algorithms; program design, development, style, testing and debugging. C++ syntax covered includes: variables; data types; operators and expressions; control structures; library and user-defined functions; basic file input/output; binary file input/output; arrays; vectors; abstract data



D/E	CRN	DAYS	TIMES	ROOM	INSTRUCTOR	DATES	CODES	SEC	D/E	CRN	DAYS	TIMES	ROOM	INSTRUCTOR	DATES	CODES	SEC
-----	-----	------	-------	------	------------	-------	-------	-----	-----	-----	------	-------	------	------------	-------	-------	-----

types including user-defined data structures and enumerated data types.

*Strongly Recommended: MATH 107 and CS 7 with a minimum grade of C*

Day	20325	MW	11:00-12:15	2416	MORENO	08/17-12/18	OP	V01
	Lab	MW	12:30-1:45	2416		08/17-12/18	OP	
Day	21487	TTh	12:30-1:45	1054	KOMANETSKY	08/17-12/18	OP	V02
	Lab	TTh	2:00-3:15	1054		08/17-12/18	OP	
Day	21748	MW	12:30-1:45	1013	STAFF	08/17-12/18	OP	V03
	Lab	MW	2:00-3:15	1013		08/17-12/18	OP	
Day	22356	TTh	8:00-9:15	1054	MORENO	08/17-12/18	OP	V04
	Lab	TTh	9:30-10:45	1054		08/17-12/18	OP	
Day	22020	MW	3:30-4:45	1054	STAFF	08/17-12/18	OP	V05
	Lab	MW	5:00-6:15	1054		08/17-12/18	OP	
Eve	20326	TTh	6:30-7:45	1054	PENTCHEVA	08/17-12/18	OP	093
	Lab	TTh	8:00-9:15	1054		08/17-12/18	OP	

**CS 2 COMPUTING FUNDAMENTALS II 4.0 Units**

Application of software engineering techniques to the design and development of large programs. Object-oriented programming methods and problem-solving strategies applied to intermediate-level problems using C++. Includes pointers and dynamic allocation; classes; encapsulation; inheritance and polymorphism; object and function overloading; recursive algorithms; data abstraction and structures.

*Prerequisite: CS 1 with a minimum grade of C*

Day	21582	MW	8:00-9:15	1054	MORENO	08/17-12/18	OP	V01
	Lab	MW	9:30-10:45	1054		08/17-12/18	OP	
Day	23653	TTh	2:00-3:15	1013	DIETRICH	08/17-12/18	OP	V02
	Lab	TTh	3:30-4:45	1013		08/17-12/18	OP	
Eve	20998	TTh	6:00-7:20	2416	GREISMER	08/17-12/18	OP	093
	Lab	TTh	7:30-8:50	2416		08/17-12/18	OP	

**CS 7 INTRO TO COMPUTER PROGRAMMING 3.0 Units**

An introductory course in computer programming concepts and fundamental coding skills using object-oriented languages like Python. Material includes problem-solving techniques, design of algorithms, and common programming constructs such as variables, expressions, input/output, decision-making, loops and arrays.

Day	21583	Tue	3:30-6:10	1054	PENTCHEVA	08/17-12/18	OP	H01
	Lab		ONLINE / HYBRID			08/17-12/18	OP	

*CS 7-HY1 is a HYBRID course. Students will meet on campus on the days/times indicated above. The remainder of the course will be completed online. For more information, see the section titled "Online Learning" in this schedule, or go to <http://www.laspositascollege.edu/onlinelearning>.*

**CS 17 DISCRETE MATH STRUCTURES 4.0 Units**

Designed for majors in mathematics and computer science, this course provides an introduction to discrete Science and their applications. Course content includes: Propositional and predicate logic; rules of inference; quantifiers; elements of integer number theory; set theory; methods of proof; induction; combinatorics and discrete probability; functions and relations; recursive definitions and recurrence relations; elements of graph theory and trees. Applications include: analysis of algorithms, Boolean algebras and digital logic circuits. Students who have completed, or are enrolled in, MATH 10 may not receive credit.

*Prerequisite: MATH 1 and CS 1 with a minimum grade of C (May be taken concurrently)*

*A TI-84 or TI-83 Calculator may be required for this course. Consult with the instructor before buying a calculator for this course.*

Eve	22912	Tue	7:30-9:45	2414	MORRIS	08/17-12/18	GR	093
		Th	7:30-8:45	2414		08/17-12/18	GR	
	Lab	Th	8:55-9:45	2414		08/17-12/18	GR	

**CS 20 ADV PROG W/DATA STRUCTURES/C++ 4.0 Units**

Design and implementation of complex programs in C++ using a variety of fundamental data structures and algorithms. Includes

the design and implementation recursive functions, of abstract data types, linked lists, stacks, queues, binary trees, hash tables, induction, searching and sorting algorithms, graphs, heaps and algorithm analysis.

*Strongly Recommended: CS 2 with a minimum grade of C*

Day	21838	MW	11:00-12:15	1054	KOMANETSKY	08/17-12/18	OP	V01
	Lab	MW	12:30-1:45	1054		08/17-12/18	OP	
Eve	20655	MW	6:30-7:45	1054	STAFF	08/17-12/18	OP	093
	Lab	MW	8:00-9:15	1054		08/17-12/18	OP	

**CS 21 ASSEMBLY LANGUAGE PROGRAMMING 4.0 Units**

Basics of machine architecture, CPU architecture and design, machine language, assembly language, operating system and higher level language interface. Data representation, instruction representation and execution, addressing techniques and use of macros. Space and time efficiency issues. Input/output including video modes. Procedures including parameter passing and linkage to higher level languages.

*Prerequisite: CS 1 with a minimum grade of C*

Day	21839	TTh	9:30-10:45	1013	KOMANETSKY	08/17-12/18	OP	V01
	Lab	TTh	11:00-12:15	1013		08/17-12/18	OP	

**CS 31 JAVA PROGRAMMING 4.0 Units**

Applications programming using Java for students already familiar with the concepts of programming. Topics will include in Applets GUI programming and design using Swing, presenting data files over the web, elementary data structures (queues, linked list, stacks) and vectors, searching (linear, binary), sorting algorithms, Database programming using JDBC (Java Data Base Connectivity), Remote Method Invocation (RMI), and Java Beans. The student shall also be exposed to and experience developing Java applications and applets in the Linux/Unix environment(s)

*Strongly Recommended: CS 1 and CS 7 with a minimum grade of C*

Eve	20826	Tue	6:30-9:20	1013	MORTEZAIE	08/17-12/18	OP	H01
	Lab		ONLINE / HYBRID			08/17-12/18	OP	

*CS 31-HY1 is a HYBRID course. Students will meet on campus on the days/times indicated above. The remainder of the course will be completed online. For more information, see the section titled "Online Learning" in this schedule, or go to <http://www.laspositascollege.edu/onlinelearning>.*

**CS 41 INTRO TO LINUX/LPI LINUX+ CERT 3.0 Units**

This course provides hands-on training covering basic installation, management, configuration, documentation and hardware topics for the Linux/UNIX operating system on workstations in a network environment. The course includes comprehensive coverage of topics related to Linux distributions, installation, administration, X-Windows, and networking. Students who have completed or are enrolled in CNT 7401 may not receive credit.

*Strongly Recommended: CIS 50 with a minimum grade of C*

Eve	21840	Mon	6:30-8:50	805	KOMANETSKY	08/17-12/18	OP	H01
	Lab		ONLINE / HYBRID			08/17-12/18	OP	

*CS 41-HY1 is a HYBRID course. Students will meet on campus on the days/times indicated above. The remainder of the course will be completed online. For more information, see the section titled "Online Learning" in this schedule, or go to <http://www.laspositascollege.edu/onlinelearning>.*

**CS 43 PROFESSIONAL COMMUNICATIONS 3.0 Units**

This course applies the principles of ethical and effective communication to the creation of letters, memos, emails, and written and oral reports for a variety of business situations. The course emphasizes critical thinking, planning, organizing, composing, and revising business documents using word processing software for written documents and presentation-graphics software to create and deliver professional-level oral presentations. Additional focus will be placed on developing interpersonal skills, team participation skills, and technical report writing skills. Students who have completed or are enrolled in Business 43, Computer Networking Technology 43, or Computer

D/E	CRN	DAYS	TIMES	ROOM	INSTRUCTOR	DATES	CODES	SEC	D/E	CRN	DAYS	TIMES	ROOM	INSTRUCTOR	DATES	CODES	SEC
-----	-----	------	-------	------	------------	-------	-------	-----	-----	-----	------	-------	------	------------	-------	-------	-----

Information Systems 43 may not receive credit.

Prerequisite: ENG 1A with a minimum grade of C

Web 20360 ONLINE AUSTIN 08/17-12/18 OP HDI

CS 43-DEI is an online class. For more information, see the section titled "Online Learning" in this schedule, or go to <http://www.laspositascollege.edu/onlinelearning>.

## DANCE

**DANC 3A BALLET FUNDAMENTALS/BEGINNING 1.0 Units**

Introduction to the fundamentals of ballet, including barre, center and across the floor technique. Proper body connectivity, alignment, strength and flexibility will be emphasized.

Day 23556 Lab TTh 12:30-1:45 4127 LLOYD 08/17-12/18 OP V01

**DANC 4A MODERN/CONTEMPORARY DANCE A 1.0 Units**

Beginning level instruction in the Contemporary Modern Dance technique. Emphasis on proper body alignment and body connectivity will be addressed. Students will be introduced to the elements of dance and transfer these elements into their technical practice.

Day 22320 Lab TTh 11:00-12:15 4127 LLOYD 08/17-12/18 OP V01

**DANC 4B MODERN/CONTEMPORARY DANCE B 1.0 Units**

Elementary to Intermediate level instruction in the Contemporary Modern Dance technique. Continued emphasis on proper body alignment and body connectivity will be addressed. Students will be expected to incorporate the elements of dance into their technical practice.

Strongly Recommended: DANC 4A with a minimum grade of C

Day 22321 Lab TTh 11:00-12:15 4127 LLOYD 08/17-12/18 OP V01

## EARLY CARE AND EDUCATION

**ECE 50 EARLY CHILDHOOD PRINCIPLES 3.0 Units**

Historical context and theoretical perspectives of developmentally appropriate practice in early care and education. Examines the role of the early childhood educator, identification of best practices for environmental design, curriculum, and teaching strategies. Explores constructive teacher-child interactions and relationships, the role of the family in education, culture and inclusion, professional ethics, career pathways and professional standards.

Day 22428 MW 11:00-12:15 2306 STAFF 08/17-12/18 GR V01

Eve 23313 Mon 7:00-9:50 2480 COSTELLO-CH 08/17-12/18 GR 093

Web 22429 ONLINE PETERSON 08/17-12/18 GR DEI

ECE 50-DEI is an online course. For more information, see the section titled "Online Learning" in this schedule, or go to <http://www.laspositascollege.edu/onlinelearning>.

**ECE 54 CHILD HEALTH, SAFETY & NUTR. 3.0 Units**

This course covers aspects of nutrition, health, and safety that promote and maintain the health and well-being of all children and adults who work with young children. Topics include health and nutritional guidelines; maintaining safe and healthy learning environments; state regulations, policies, and procedures; common childhood illnesses and infectious diseases; school-family collaboration; and emergency preparedness, first aid, and injury prevention.

Web 22430 ONLINE VIRGILIO 08/17-12/18 GR DEI

ECE 54-DEI is an online course. For more information, see the section titled "Online Learning" in this schedule, or go to <http://www.laspositascollege.edu/onlinelearning>.

**ECE 56 CHILD GROWTH AND DEVELOPMENT 3.0 Units**

A study of the major physical, psychosocial, and cognitive/language developmental milestones for children, both typical

and atypical, from conception through adolescence. There will be an emphasis on interactions between maturational processes and environmental factors. While studying developmental theory and investigative research methodologies, students will observe children, evaluate individual differences and analyze characteristics of development at various stages.

Day 22431 MW 9:30-10:45 2306 STAFF 08/17-12/18 GR V01

Sat 23314 Sat 8:30-11:30 2306 SALCEDA 08/17-12/18 GR WLC

Web 22433 ONLINE GARNER 08/17-12/18 GR DEI

ECE 56-DEI is an online course. For more information, see the section titled "Online Learning" in this schedule, or go to <http://www.laspositascollege.edu/onlinelearning>.

**ECE 60 CHILD WITH EXCEPTIONAL NEEDS 3.0 Units**

Introduces the variations in development of infants and children with exceptional needs and the resulting impact on families. Includes an overview of historical and societal influences, laws relating to children with exceptional needs and the identification and referral process. Assessments, interventions and learning environments for infants and children with exceptional needs.

Prerequisite: ECE 56 with a minimum grade of C

Eve 23207 Tue 7:00-9:50 2306 CAPPORUSSO 08/17-12/18 GR 093

**ECE 61 LITERATURE FOR THE YOUNG CHILD 3.0 Units**

An introduction to young children's literature, the development of speech and language and the exploration of teaching techniques which promote language, literacy and literature for the young child. Selection, evaluation and use of fiction, non-fiction, prose and poetry from existing written and/or recorded children's literature in the early childhood classroom. Approaches to reading books, storytelling, story writing, and use of puppets, flannel boards and props to facilitate

Eve 23315 Th 7:00-9:50 2480 TURNER 08/17-12/18 GR 093

**ECE 62 CHILD, FAMILY AND COMMUNITY 3.0 Units**

The processes of socialization and identity development, focusing on the interrelationship of family, school, and community. Examines the influence of multiple societal contexts. Explores the role of collaboration between family, community, and schools in supporting children's development.

Day 22435 MW 12:30-1:45 2306 TAYLOR 08/17-12/18 GR V01

Eve 22436 Th 7:00-9:50 2306 RENO 08/17-12/18 GR 093

Web 22437 ONLINE RENO 08/17-12/18 GR DEI

ECE 62-DEI is an online course. For more information, see the section titled "Online Learning" in this schedule, or go to <http://www.laspositascollege.edu/onlinelearning>.

**ECE 63 EARLY CHILDHOOD CURRICULUM 4.0 Units**

This course offers students the opportunity for professional application of the principles of child growth and development in the study of play based, inclusive emergent curriculum within the physical environment of the infant, toddler and preschool classrooms. Students will learn of a variety of program models used and explore how program models inform curriculum planning. The learning experiences will include program content pertaining to the use of materials, the facilitation and guidance of all children's experiences based on what is culturally and developmentally appropriate for children; utilizing best practices in meeting the children's physical, social, emotional, cognitive and creative needs.

Prerequisite: ECE 50 and ECE 56 with a minimum grade of C

Students must have a TB test completed within the last 12 months and show proof of MMR and dTAP vaccine for the first day of class.

Day 22438 TTh 12:30-1:45 2306 GARNER 08/17-12/18 GR V01

Lab Tue 9:15-12:15 2301 08/17-12/18 GR

Day 22894 TTh 12:30-1:45 2306 GARNER 08/17-12/18 GR V02

Lab Th 9:15-12:15 2301 08/17-12/18 GR

Eve 22439 Mon 7:00-9:50 2306 NATTRASS 08/17-12/18 GR 093

Lab Wed 7:00-9:50 2306 08/17-12/18 GR

D/E	CRN	DAYS	TIMES	ROOM	INSTRUCTOR	DATES	CODES	SEC	D/E	CRN	DAYS	TIMES	ROOM	INSTRUCTOR	DATES	CODES	SEC
-----	-----	------	-------	------	------------	-------	-------	-----	-----	-----	------	-------	------	------------	-------	-------	-----

**ECE 79 TEACHING IN A DIVERSE SOCIETY 3.0 Units**

Examines the impact of various societal influences such as privilege, oppression, bias, and discrimination on the development of children's social and personal identity. Self-examination and reflection on values, beliefs and attitudes related to social identity, stereotypes, conscious and unconscious bias will be emphasized. Recognize and confront barriers that interfere with one's ability to work effectively with diverse populations of children and families. Enhance teacher skills for educating children in a pluralistic society. The class will focus heavily on anti-bias approaches to teaching, curriculum and family partnerships.

Strongly Recommended: ECE 62 with a minimum grade of C

Day	22441	Tue	9:30-12:20	2306	TAYLOR	08/17-12/18	GR	V01
-----	-------	-----	------------	------	--------	-------------	----	-----

**ECE 90 PRACTICUM-SUPERVISED EXP. 4.0 Units**

Practicum experience working with young children under the supervision of an ECE/CD faculty; Students will utilize practical classroom experiences to make connections between theory and practice, develop professional behaviors, and build comprehensive understanding of children and families. Child centered, play oriented approaches to teaching, learning and assessment and knowledge of curriculum content areas will be emphasized as student teachers design, implement and evaluate experiences that promote positive development and learning for all young children.

Prerequisite: ECE 50 and ECE 56 and ECE 62 and ECE 63 with a minimum grade of C

Students must have a TB Test completed and show proof of MMR and dTAP vaccine for the first day of lab.

Sat	22705	Sat	TBA	2306	GARNER	08/17-12/18	GR	HY1
Lab	MW		9:00-12:15	2301		08/17-12/18	GR	

Students will meet for lecture on the following Saturdays: 8/22, 9/26, 10/24, 11/21, 12/12. The remainder of the lecture portion of the class will be taught online. Students must have a TB Test completed and show proof of MMR and dTAP vaccine for the first day of lab. Students must also complete 108 hours of lab during the semester. Students will arrange 6.5 hours of lab per week. Students placed at the Las Positas Child Development Center will complete their lab hours on MW 9:00am-12:15pm. Other students will be placed with CA Mentor Teachers.

**ECE 95 WORK EXPERIENCE 1.0 Units**

Cooperative effort between, student, supervisor and instructor to accomplish professional work objectives and broaden experiences. On-the-job work experience to build early childhood competencies.

Corequisite: ECE 96

THIS CLASS IS FOR EARLY CHILDHOOD DEVELOPMENT MAJORS.

Web	23316	ONLINE	DELAGUILA	08/17-12/18	GR	DE1
-----	-------	--------	-----------	-------------	----	-----

ECE 95-DE1 is an online course. For more information, see the section title "Online Learning" in this schedule, or go to <http://www.laspositascollege.edu/onlinelearning>.

**ECE 96 WORK EXPERIENCE SEMINAR 1.0 Units**

Discussion and analysis of typical problems often encountered by employees at the workplace. Application of National Association for the Education of Young Children (NAEYC) Code of Ethical Conduct to difficult situations that occur at the job site. Develop and complete measurable developmentally appropriate goals in early care and education settings.

Corequisite: ECE 95

Web	23317	ONLINE	DELAGUILA	08/17-12/18	GR	DE1
-----	-------	--------	-----------	-------------	----	-----

ECE 96-DE1 is an online course. For more information, see the section titled "Online Learning" in this schedule, or go to <http://www.laspositascollege.edu/onlinelearning>.

## ECONOMICS

**ECON I PRINCIPLES OF MICROECONOMICS 3.0 Units**

Economic analysis of market systems, price theory, including

supply and demand analysis, marginal utility, elasticity, cost and revenue concepts, perfect and imperfect competition, international trade theory, pricing of the factors of production, poverty and income inequalities.

Prerequisite: MATH 55 or MATH 55B and ENG 104 with a minimum grade of C

All sections ECON 1 internet access required.

Day	20473	MW	12:30-1:45	1059	WEBSTER	08/17-12/18	OP	V01
Day	20127	TTh	8:00-9:15	1059	SHAHBAZI	08/17-12/18	OP	V02
Day	20131	TTh	11:00-12:15	1059	WEBSTER	08/17-12/18	OP	V03
Web	20381	ONLINE			WEBSTER	08/17-12/18	OP	DE1

ECON 1-DE1 is an online course. For more information, see the section titled "Online Learning" in this schedule, or go to <http://www.laspositascollege.edu/onlinelearning>.

Web	20783	ONLINE			WEBSTER	08/17-12/18	OP	DE2
-----	-------	--------	--	--	---------	-------------	----	-----

ECON 1-DE2 is an online course. For more information, see the section titled "Online Learning" in this schedule, or go <http://www.laspositascollege.edu/onlinelearning>.

**ECON 2 PRINCIPLES OF MACROECONOMICS 3.0 Units**

Economic analysis of the theory of income determination, including national income analysis, business cycles, the consumption function, the multiplier, fiscal policy, monetary policy, money and banking, the public debt, economic growth and development, comparative economic systems and international trade.

Prerequisite: MATH 55 or MATH 55B and ENG 104 with a minimum grade of C

All sections ECON 2 internet access required.

Day	20180	MW	11:00-12:15	1058	WEBSTER	08/17-12/18	OP	V01
Day	20014	TTh	9:30-10:45	1059	SHAHBAZI	08/17-12/18	OP	V02
Day	23327	TTh	2:00-3:15	1059	SHAHBAZI	08/17-12/18	OP	V03
Web	20382	ONLINE			WEBSTER	08/17-12/18	OP	DE1

ECON 2-DE1 is an online course. For more information, see the section titled "Online Learning" in this schedule, or go to <http://www.laspositascollege.edu/onlinelearning>.

Web	20229	ONLINE			WEBSTER	08/17-12/18	OP	DE2
-----	-------	--------	--	--	---------	-------------	----	-----

ECON 2-DE2 is an online course. For more information, see the section titled "Online Learning" in this schedule, or go to <http://www.laspositascollege.edu/onlinelearning>.

**ECON 10 GENERAL ECONOMICS 3.0 Units**

Survey of the economic system of the United States, covering such macroeconomic and microeconomic topics as supply and demand, firms' output and pricing decisions, international trade, comparative economic systems, economic growth, business cycles, fiscal and monetary policy, labor, and money banking.

Day	21683	MW	9:30-10:45	1058	STAFF	08/17-12/18	OP	V01
-----	-------	----	------------	------	-------	-------------	----	-----

## EMERGENCY MEDICAL SERVICES

**EMS 10 PARAMEDIC THEORY I 6.0 Units**

General paramedic didactic education and training following the current Department of Transportation National Emergency Services Education Standards (NEMSES) and California Code of Regulations, Title 22. Includes cognitive content associated with: preparatory, anatomy and physiology, pharmacology, airway management, patient assessment, and trauma patient management.

Prerequisite: EMS 20, BIO 50, EMS 62 with a minimum grade of C

Corequisite: EMS 12

Day	22071	TTh	9:00-11:50	2201	WONG	08/17-12/18	GR	V01
-----	-------	-----	------------	------	------	-------------	----	-----

EMS 10 is part of the EMT - Paramedic program. To enroll in this course, students must meet all prerequisites. Students may petition prerequisites if they have taken equivalent coursework at another institution. Petitions should be submitted with supporting documentation including transcripts to the Dean of Academic Services. As a Special Admissions program, interested students and prospective applicants are required to have all the program pre-requisites completed at the time of application. In addition, due to requirements of the clinical training facilities, admitted students to the paramedic program must successfully pass a criminal background check and



D/E	CRN	DAYS	TIMES	ROOM	INSTRUCTOR	DATES	CODES	SEC	D/E	CRN	DAYS	TIMES	ROOM	INSTRUCTOR	DATES	CODES	SEC
-----	-----	------	-------	------	------------	-------	-------	-----	-----	-----	------	-------	------	------------	-------	-------	-----

drug panel screening. Admitted students must also submit immunization records prior to course attendance showing verification of required vaccinations and or titers. To enroll in this course, students must also be currently certified as an EMT with the State of California (EMT registration with NREMT does not substitute for certification as an EMT with the State of California); possess a current AHA Basic Life Support CPR recognition card; meet all immunization requirements; be a minimum of 18 years of age or older; and be able to successfully pass a criminal history background investigation and drug screening administered by Verified Credentials at <http://www.verifiedcredentials.com>. For information about the program and to apply for enrollment, visit: [www.laspositascollege.edu/EMT/paramedictrainingprogram.php](http://www.laspositascollege.edu/EMT/paramedictrainingprogram.php)

Prerequisite: EMS 16 with a minimum grade of C

Day 23614 By Arr 0.0 Hrs/Wk tba STAFF 08/17-12/18 P/N V01

**EMS 12 PARAMEDIC LABORATORY I 4.0 Units**

Provides the skills portion of the current Department of Transportation National Emergency Services Education Standards (NEMSES) and California Code of Regulations, Title 22. Includes psychomotor skills associated with: preparatory, anatomy and physiology, pharmacology, airway management, patient assessment, and trauma patient management.

Prerequisite: EMS 20, BIO 50, EMS 62 with a minimum grade of C

Corequisite: EMS 10

Day	22072	Lab TTh	1:00-4:50	2203	WONG	08/17-12/18	P/N V01
		Lab Wed	9:00-12:50	2203		08/17-12/18	P/N

EMS 12 is part of the EMT - Paramedic program. To enroll in this course, students must meet all prerequisites. Students may petition prerequisites if they have taken equivalent coursework at another institution. Petitions should be submitted with supporting documentation including transcripts to the Dean of Academic Services. As a Special Admissions program, interested students and prospective applicants are required to have all the program pre-requisites completed at the time of application. In addition, due to requirements of the clinical training facilities, admitted students to the paramedic program must successfully pass a criminal background check and drug panel screening. Admitted students must also submit immunization records prior to course attendance showing verification of required vaccinations and or titers. To enroll in this course, students must also be currently certified as an EMT with the State of California (EMT registration with NREMT does not substitute for certification as an EMT with the State of California); possess a current AHA Basic Life Support CPR recognition card; meet all immunization requirements; be a minimum of 18 years of age or older; and be able to successfully pass a criminal history background investigation and drug screening administered by Verified Credentials at <http://www.verifiedcredentials.com>. For information about the program and to apply for enrollment, visit: [www.laspositascollege.edu/EMT/paramedictrainingprogram.php](http://www.laspositascollege.edu/EMT/paramedictrainingprogram.php)

**EMS 16 PARAMEDIC CLINICAL OCCUPATION 3.0 Units**

Occupational work experience course that provides instruction to enhance student's knowledge of emergency care in a clinical setting. Students are provided access to adequate numbers of patients, proportionally distributed by illness, injury, gender, age, and common problems encountered in the delivery of emergency care appropriate to the level of the Emergency Medical Services Profession(s). Hospital/clinical experiences include the operating room, recovery room, intensive care unit, coronary care unit, labor and delivery room, pediatrics, and emergency department, and include exposure to an adequate number of pediatric, obstetric, psychiatric, and geriatric patients.

Prerequisite: EMS 11, EMS 13, EMS 10 and EMS 12 with a minimum grade of C

Day 23613 By Arr 0.0 Hrs/Wk tba STAFF 08/17-12/18 P/N V01

**EMS 17 PARAMEDIC CAPSTONE OCCUPATION 1.0 Units**

An occupational work experience course that provides practicum experience for paramedic students to observe and participate in emergency medical care supervised by a preceptor in an emergency response vehicle. Requires a minimum of 480 hours, and students must document at least 40 advanced life support (ALS) patient contacts. Students will provide the full continuum of care from initial contact to transfer of care at the receiving facility for half of all ALS contacts. Students must obtain minimum competency as a Team Leader. The field internship provides the student with an opportunity to serve as team leader in a variety of pre-hospital advanced life support emergency medical situations.

**EMS 20 EMERGENCY MEDICAL TECHNICIAN 7.0 Units**

Provides training in the foundation skills and knowledge required of the EMT scope of practice. The EMT certification is the minimum requirement for ambulance attendants and most entry-level firefighter positions. EMT certification is also required for entry into paramedic training. This training program is accredited by the Alameda County Emergency Medical Services District.

Prerequisite: EMS 30 with a minimum grade of B

Eve	21912	Tue	5:00-8:50	2201	STAFF	08/17-12/18	GR 093
		Sat	9:00-9:50	2201		08/17-12/18	GR
		Lab Sat	10:00-3:50	2201		08/17-12/18	GR

Students enrolled in EMS 20-093 must attend a mandatory orientation on August 4, 2020 at 11:00am to 2:00pm in Room 2203 and be present for the first class meeting. All enrolled students must be at least 18 years of age to take this class. For this class you will need records of positive titers for Rubella, Rubeola (measles), Mumps, Varicella (chicken pox-vaccine must be given in two doses four weeks apart if student has no record of immunity), Hepatitis B (the student must have completed the complete Hepatitis B Tetanus diphtheria and pertussis (Tdap) vaccine within the past ten years. The student must also have a QuantiFERON blood test to detect TB infection. Students must also have a Flu shot one year prior to enrollment in EMS 20. This should be recorded on the Health Science Student Immunizations Form available at the Las Positas Health Center website ([www.laspositascollege.edu/healthcenter/documents/Immunization2007.pdf](http://www.laspositascollege.edu/healthcenter/documents/Immunization2007.pdf)) and at the Student Health Center. Students may utilize the services of the Las Positas Student Health Center or use their own medical provider. Prospective students who do not bring proof of required titers by the second week of class will be dropped by the Instructor. Students must also present a current AHA BLS CPR or equivalent, and proof of certification at the Emergency Medical Responder (EMR) level or equivalent and/or proof of successful completion of EMS 30 with a grade of "B" or better. Prospective students that possess Emergency Medical Responder Certification and AHA BLS CPR or equivalent but did not complete EMS 30 must submit a petition to the Dean of Academic Services to waive the pre-requisite. Students enrolled in EMS 20 must also submit to a Background Investigation through Castlebranch. The website is: <https://www.castlebranch.com/onlineSubmission/packagecode.php>. The cost is \$20.00 and must be completed as a required from the hospitals that the college uses for the clinical observation portion of the class. Use Program Code: LC70, when submitting information and payment to Castlebranch. Students who fail the background check will not be able to complete the hospital educational component and shall not receive certification as an EMT from the Local EMS Agency. Students who fail the background check will not be able to complete the hospital educational component and shall not receive certification as an EMT from the Local EMS Agency. During the course students may be required to purchase personal protective equipment such as a respiratory protection mask for use during clinical observations. Details will be provided during the first week of class. Please send all information to Las Positas College, ATTENTION: EMS DEPARTMENT/SLPC DIVISION, Wendy McClendon. You may contact Ms. McClendon by phone at 925-424-1000 Extension 2046, or by email at [wmclendon@laspositascollege.edu](mailto:wmclendon@laspositascollege.edu)

**EMS 30 EMERGENCY MEDICAL RESPONDER 3.0 Units**

Development of knowledge and skills necessary for recognizing and caring for victims in emergency situations, including cardiopulmonary resuscitation, patient assessment, cardiopulmonary resuscitation with the use of an automated external defibrillator, and prevention of disease transmission. Designed for emergency medical responders in the public safety field. Successful completion of the psycho-motor skills tests and successful completion of the course with a score of 80%, and achieving a score on the course summative final at (80%) qualifies the student for an Emergency Medical Responder (EMR) Certificate issued by the Emergency Care and Safety Institute (ECSI).

Strongly Recommended: EMS 70B with a minimum grade of C

Students will be assessed a \$7 fee at registration for the Emergency Medical Responder completion certificate.

Day	21910	Mon	9:00-10:50	2203	STAFF	08/17-12/18	GR V01
		Lab Mon	11:00-1:50	2203		08/17-12/18	GR

D/E	CRN	DAYS	TIMES	ROOM	INSTRUCTOR	DATES	CODES	SEC	D/E	CRN	DAYS	TIMES	ROOM	INSTRUCTOR	DATES	CODES	SEC
-----	-----	------	-------	------	------------	-------	-------	-----	-----	-----	------	-------	------	------------	-------	-------	-----

Eve	21911	Th	5:30-7:20	2203	STAFF	08/17-12/18	GR	093
Lab		Th	7:30-10:20	2203		08/17-12/18	GR	

**EMS 62 BASIC MEDICAL TERMINOLOGY 3.0 Units**

A basic course in medical terminology designed for students in studying for Allied Health careers such as Surgical Technologist, Paramedic, Pre-nursing, and Radiology Technician. Medical vocabulary with concentration on prefixes, suffixes, and root words. Emphasis on word dissection, definitions as applied to the body systems including the terminology used in surgical procedures. Concepts focus on comprehensive terminology, pronunciation and spelling core.

Day	20751	TTh	11:00-12:15	2206	STAFF	08/17-12/18	GR	V01
Eve	22171	Tue	7:00-9:50	1011	STAFF	08/17-12/18	GR	093

## ENGINEERING

**ENGR 10 INTRODUCTION TO ENGINEERING 2.0 Units**

Introduction to careers, activities, and topics related to the field of engineering, including computer applications design and problem solving.

*Strongly Recommended: (LPC) ENG 1A with a minimum grade of C*

Day	20232	Mon	3:00-4:50	1859	LEVEL	08/17-12/18	OP	V01
Eve	21517	Th	4:30-6:20	1060	DECKER	08/17-12/18	OP	VTI

*This ENGR 10-VTI section is open to all students. Students in the Engineering Technology AS degree program are encouraged to take this section as part of a Learning Community.*

**ENGR 22 ENGINEERING DESIGN GRAPHICS 3.0 Units**

Introduction to the engineering-design process, and to technical-graphic communications tools used by engineers. Conceptual design of products. Development of spatial reasoning skills. Orthographic and axonometric projection-drawing techniques. Tolerance analysis for fabrication. Documentation of designs through engineering working-drawings. Use of Solidworks Computer-Assisted Drawing Software as a design tool. Basic CAD 3-dimensional solid-modeling.

*Strongly Recommended: (Chabot) MTH 37 and, ENGL 1A.*

*Strongly Recommended: (LPC) MATH 38 and ENG 1A, 2 hours lecture, 3 hours laboratory.*

Day	20377	TTh	11:30-12:20	1859	LEVEL	08/17-12/18	GR	V01
Lab		TTh	12:30-1:50	1859		08/17-12/18	GR	
Eve	22684	TTh	7:00-7:50	1859	RAY	08/17-12/18	GR	VTI
Lab		TTh	8:00-9:20	1859		08/17-12/18	GR	

*This ENGR 22-VTI section is open to all students. Students in the Engineering Technology AS degree program are encouraged to take this section as part of a Learning Community.*

**ENGR 25 COMPUTATIONAL METHODS FOR ENGR 3.0 Units**

Methodology and techniques for solving engineering/science problems using numerical-analysis computer-application programs MATLAB, SimuLink, MuPad, and EXCEL. Technical computing and visualization using MATLAB software. Examples and applications from applied-mathematics, physical-mechanics, electrical circuits, biology, thermal systems, fluid systems, and other branches of science and engineering. (Chabot: May not receive credit if Mathematics 25 or Physics 25 has been completed.

*Chabot Prerequisite: MTH 1 (completed with a grade of "C" or higher)*

*LPC Prerequisite: MATH 1 with a minimum grade of C*

*Strongly Recommended: CS 7 with a minimum grade of C*

Day	23253	MW	8:30-9:20	1859	LEVEL	09/08-12/18	GR	LSI
Lab		MW	9:30-10:50	1859		09/08-12/18	GR	

*ENGR 25-LSI is a Late Start course that meets from Sept 8-Dec 18.*

**ENGR 35 STATICS 3.0 Units**

A first course in engineering mechanics: properties of forces,

moments, couples and resultants; two-and three-dimensional force systems acting on engineering structures in equilibrium; analysis of trusses, and beams; distributed forces, shear and bending moment diagrams, center of gravity, centroids, friction, and area and mass moments of inertia. Optional additional topics include fluid statics and cables.

*Prerequisites: PHYS 1A and MATH 2 with a minimum grade of C*

*Strongly Recommended: ENGR 22 with a minimum grade of C*

Day	23323	TTh	8:30-9:20	1859	LEVEL	08/17-12/18	GR	V01
Lab		TTh	9:30-10:50	1859		08/17-12/18	GR	

**ENGR 44 INTRO TO CIRCUIT ANALYSIS 4.0 Units**

Introduction to analysis methods for electrical circuits. Topics include general techniques for circuit analysis, simple resistive circuits, inductors, capacitors, mutual coupling, operational amplifier circuits, transient and steady-state analysis of first-order and second-order circuits. Lab topics include introduction to the use of electronic test equipment, designing, assembling, testing and simulating various resistive, LC, RC and operational amplifier circuits. Simulations are done with available circuit simulations codes such as PSpice.

*Prerequisite: PHYS 1A with a minimum grade of C*

Day	22131	MW	1:30-2:45	1859	NEWTON	08/17-12/18	GR	V01
Lab		Mon	3:00-5:50	1822		08/17-12/18	GR	

**ENGR 50 INTRO TO ELECTRONIC SYSTEMS 4.0 Units**

Introduction to electrical and electronic systems and circuits. Overview of digital and analog electronics, semiconductor devices and software tools. Direct current and alternating current circuit analysis including Ohm's law and Kirchhoff's laws. Measurement and characterization of electronic systems, data collection, and reporting results. Comparing system and component performance to published specifications and developing troubleshooting techniques. Laboratory practice includes operation and proper use of standard test instruments.

*Prerequisite: MATH 39 with a minimum grade of C*

Day	23573	TTh	5:00-5:50	1859	NEWTON	08/17-12/18	GR	VTI
Lab		TTh	6:00-8:50	1822		08/17-12/18	GR	

*This ENGR 50-VTI section is open to all students. Students in the Engineering Technology AS degree program are encouraged to take this section as part of a Learning Community.*

## ENGLISH

**ENG 1A CRITICAL READING AND COMP 3.0 Units**

Integrated approach to reading, writing, and critical thinking intended to develop ability to read and write complex, college-level prose. Examination of ideas in relation to individual's worldview and contexts from which these ideas arise. Some research required.

*Prerequisite: ENG 104 or NENG 204 with a minimum grade of Pass or ESL 25 with a minimum grade of C*

*Note: Students may decide to take the English 104, NENG 204, or ESL 25 prerequisite course listed on English 1A and IAEX, but it is not required. All students must complete the Guided Self-Placement to determine which English class to take. For more information please see <http://www.laspositascollege.edu/assessmentcenter/guided-self-placement.php>.*

Day	20195	MW	8:00-9:15	2460	CERVANTES	08/17-12/18	GR	V01
Lab		Wed	9:30-10:20	2412		08/17-12/18	GR	
Day	21855	Lab Mon	8:00-8:50	2412	KELLER	08/17-12/18	GR	V02
		Mon	9:00-9:50	402		08/17-12/18	GR	
		Wed	8:00-9:50	402		08/17-12/18	GR	
Day	21856	MW	9:30-10:45	104	HANSEN	08/17-12/18	GR	V03
Lab		Wed	8:30-9:20	2412		08/17-12/18	GR	
Day	20194	MW	9:30-10:45	503	GAROUPA	08/17-12/18	GR	V04
Lab		Mon	11:00-11:50	804		08/17-12/18	GR	

D/E	CRN	DAYS	TIMES	ROOM	INSTRUCTOR	DATES	CODES	SEC	D/E	CRN	DAYS	TIMES	ROOM	INSTRUCTOR	DATES	CODES	SEC
Day	20859	MW	9:30-10:45	2490	BUDD	08/17-12/18	GR	V05	This English course, developed for the Umoja Program, highlights the scholarship of Black thinkers and writers, including authors, essayists, poets, and lyricists. This course will focus on Hip Hop culture and Rap music as its theme. Interested students should contact Kimberly Burks at kburks@laspositascollege.edu								
		Lab	Wed 11:00-11:50	2412		08/17-12/18	GR										
Day	22521	MW	9:30-10:45	105	WONG	08/17-12/18	GR	V06									
		Lab	Mon 11:00-11:50	2412		08/17-12/18	GR										
Day	22522	MW	11:00-12:15	2470	OTT	08/17-12/18	GR	V07	Day	20210	Mon	12:30-1:45	104	COLE	08/17-12/18	GR	HY1
		Lab	Wed 12:30-1:20	2412		08/17-12/18	GR				Lab	ONLINE / HYBRID			08/17-12/18	GR	
Day	21086	MW	1:00-2:15	403	GAROUPA	08/17-12/18	GR	V08	ENG IA-HY1 is a HYBRID course. Students will meet on campus on the days/times indicated above. The remainder of the course will be completed online. For more information, see the section titled "Online Learning" in this schedule, or go to <a href="http://www.laspositascollege.edu/onlinelearning">http://www.laspositascollege.edu/onlinelearning</a> .								
		Lab	Mon 2:25-3:15	2412		08/17-12/18	GR										
Day	20192	Mon	2:00-3:50	1007	DURAN	08/17-12/18	GR	V09	Day	21494	Fri	8:00-10:50	2460	WONG	08/17-12/18	GR	HY3
		Lab	Wed 2:00-2:50	1007		08/17-12/18	GR				Lab	ONLINE / HYBRID			08/17-12/18	GR	
		Lab	Wed 2:55-3:45	1007		08/17-12/18	GR		ENG IA-HY3 is a HYBRID course. Students will meet on campus on the days/times indicated above. The remainder of the course will be completed online. For more information, see the section titled "Online Learning" in this schedule, or go to <a href="http://www.laspositascollege.edu/onlinelearning">http://www.laspositascollege.edu/onlinelearning</a> .								
Day	20191	MW	2:30-3:45	103	STEIN	08/17-12/18	GR	V10	Eve	21917	Mon	4:00-5:50	1007	DURAN	08/17-12/18	GR	094
		Lab	Mon 3:55-4:45	804		08/17-12/18	GR				Wed	4:00-4:50	1007		08/17-12/18	GR	
Day	20198	TTh	8:00-9:15	4130	CERVANTES	08/17-12/18	GR	V11			Lab	Wed 4:55-5:45	1007		08/17-12/18	GR	
		Lab	Tue 9:25-10:15	2412		08/17-12/18	GR		Eve	22537	Mon	6:00-7:50	1007	CAMPBELL	08/17-12/18	GR	095
Day	20321	Tue	8:00-9:50	1007	STAFF	08/17-12/18	GR	V12			Wed	6:00-6:50	1007		08/17-12/18	GR	
		Th	8:00-8:50	1007		08/17-12/18	GR				Lab	Wed 6:55-7:45	1007		08/17-12/18	GR	
		Lab	Th 8:55-9:45	1007		08/17-12/18	GR		Eve	20498	Tue	4:00-5:50	1007	SWATY/BUMM	08/17-12/18	GR	096
Day	20263	TTh	9:30-10:45	2470	GAROUPA	08/17-12/18	GR	V13			Th	4:00-4:50	1007		08/17-12/18	GR	
		Lab	Th 8:30-9:20	2412		08/17-12/18	GR				Lab	Th 4:55-5:45	1007		08/17-12/18	GR	
Day	20199	TTh	9:30-10:45	1060	SWANSON-GA	08/17-12/18	GR	V14	Eve	20209	Th	6:30-9:20	1006	MYLIUS	08/17-12/18	GR	HY2
		Lab	Tue 11:00-11:50	805		08/17-12/18	GR				Lab	ONLINE / HYBRID			08/17-12/18	GR	
Day	21857	TTh	9:30-10:45	1056	BOLLMAN	08/17-12/18	GR	V15	ENG IA-HY2 is a HYBRID course. Students will meet on campus on the days/times indicated above. The remainder of the course will be completed online. For more information, see the section titled "Online Learning" in this schedule, or go to <a href="http://www.laspositascollege.edu/onlinelearning">http://www.laspositascollege.edu/onlinelearning</a> .								
		Lab	Th 11:00-11:50	2412		08/17-12/18	GR		Web	23259	ONLINE		KING	08/17-12/18	GR	DE0	
Day	20197	TTh	11:00-12:15	105	GAROUPA	08/17-12/18	GR	V17	ENG IA-DE0 is an online course. For more information, see the section titled "Online Learning" in the schedule, or go to <a href="http://www.laspositascollege.edu/onlinelearning">http://www.laspositascollege.edu/onlinelearning</a> .								
		Lab	Tue 12:30-1:20	2412		08/17-12/18	GR		Web	20245	ONLINE		O'HERIN	08/17-12/18	GR	DE1	
Day	20193	Tue	12:00-1:50	1007	SATO	08/17-12/18	GR	V18	ENG IA-DE1 is an online course. For more information, see the section titled "Online Learning" in the schedule, or go to <a href="http://www.laspositascollege.edu/onlinelearning">http://www.laspositascollege.edu/onlinelearning</a> .								
		Th	12:00-12:50	1007		08/17-12/18	GR		Web	20301	ONLINE		O'HERIN	08/17-12/18	GR	DE2	
		Lab	Th 12:55-1:45	1007		08/17-12/18	GR		ENG IA-DE2 is an online course. For more information, see the section titled "Online Learning" in this schedule, or go to <a href="http://www.laspositascollege.edu/onlinelearning">http://www.laspositascollege.edu/onlinelearning</a> .								
Day	20295	TTh	12:30-1:45	402	WIGHTMAN	08/17-12/18	GR	V19	Web	21860	ONLINE		COLE	08/17-12/18	GR	DE3	
		Lab	Th 11:30-12:20	804		08/17-12/18	GR		ENG IA-DE3 is an online course. For more information, see the section titled "Online Learning" in this schedule, or go to <a href="http://www.laspositascollege.edu/onlinelearning">http://www.laspositascollege.edu/onlinelearning</a> .								
Day	22538	MW	11:00-12:15	104	HANSEN	08/17-12/18	GR	V20	Web	21861	ONLINE		DRY	08/17-12/18	GR	DE4	
		Lab	Mon 12:30-1:20	2412		08/17-12/18	GR		ENG IA-DE4 is an online course. For more information, see the section titled "Online Learning" in this schedule, or go to <a href="http://www.laspositascollege.edu/onlinelearning">http://www.laspositascollege.edu/onlinelearning</a> .								
Day	21495	TTh	9:30-10:45	507	ELLINGSWOR	08/17-12/18	GR	V21	Web	21862	ONLINE		DRY	08/17-12/18	GR	DE5	
		Lab	Tue 8:30-9:20	2412		08/17-12/18	GR		ENG IA-DE5 is an online course. For more information, see the section titled "Online Learning" in this schedule, or go to <a href="http://www.laspositascollege.edu/onlinelearning">http://www.laspositascollege.edu/onlinelearning</a> .								
Day	20190	TTh	12:30-1:45	106	MCMICHAEL	08/17-12/18	GR	V22	Web	22021	ONLINE		BIELAWSKI	08/17-12/18	GR	DE6	
		Lab	Tue 11:30-12:20	2412		08/17-12/18	GR		ENG IA-DE6 is an online course. For more information, see the section titled "Online Learning" in the schedule, or go to <a href="http://www.laspositascollege.edu/onlinelearning">http://www.laspositascollege.edu/onlinelearning</a> .								
Day	20201	Tue	3:30-5:20	1006	HEINRICHS	08/17-12/18	GR	V23	Web	22534	ONLINE		BIELAWSKI	08/17-12/18	GR	DE7	
		Th	3:30-4:20	1006		08/17-12/18	GR		ENG IA-DE7 is an online course. For more information, see the section titled "Online Learning" in the schedule, or go to <a href="http://www.laspositascollege.edu/onlinelearning">http://www.laspositascollege.edu/onlinelearning</a> .								
		Lab	Th 4:25-5:15	1006		08/17-12/18	GR		Web	23574	ONLINE		SWANSON-GAR	08/17-12/18	GR	DE8	
Day	20202	Fri	9:30-12:20	1007	SWATY BUMM	08/17-12/18	GR	V24	ENG IA-DE8 is an online course. For more information, see the section titled "Online Learning" in the schedule, or go to <a href="http://www.laspositascollege.edu/onlinelearning">http://www.laspositascollege.edu/onlinelearning</a> .								
		Lab	Fri 12:25-1:15	1007		08/17-12/18	GR		Web	23244	ONLINE		SWANSON-GAR	08/17-12/18	GR	DE9	
Day	20200	TTh	1:00-2:15	1008	BOLLMAN	08/17-12/18	GR	V25	ENG IA-DE9 is an online course. For more information, see the section titled "Online Learning" in the schedule, or go to <a href="http://www.laspositascollege.edu/onlinelearning">http://www.laspositascollege.edu/onlinelearning</a> .								
		Lab	Th 12:00-12:50	2412		08/17-12/18	GR		Web	23243	ONLINE		STEVENS	10/12-12/11	GR	LO1	
Day	21859	Tue	2:00-3:50	1007	SATO	08/17-12/18	GR	V26	ENG IA-LO1 is a LATE START online course that meets from Oct 12-Dec 11. For more information, see the section titled "Online Learning" in the schedule, or go to <a href="http://www.laspositascollege.edu/onlinelearning">http://www.laspositascollege.edu/onlinelearning</a> .								
		Lab	Th 2:00-2:50	1007		08/17-12/18	GR										
		Lab	Th 2:55-3:45	1007		08/17-12/18	GR										
Day	22224	TTh	3:00-4:15	106	ADMASSU	08/17-12/18	GR	V27									
		Lab	Tue 2:00-2:50	2412		08/17-12/18	GR										
Day	20446	Mon	3:30-5:20	1006	CAMPBELL	08/17-12/18	GR	V28									
		Wed	3:30-4:20	1006		08/17-12/18	GR										
		Lab	Wed 4:25-5:15	1006		08/17-12/18	GR										
Day	23212	TTh	2:00-3:15	101	STEIN	08/17-12/18	GR	V29									
		Lab	Th 3:30-4:20	804		08/17-12/18	GR										
Day	21858	Tue	10:00-11:50	1007	OTT	08/17-12/18	GR	V16									
		Th	10:00-10:50	1007		08/17-12/18	GR										
		Lab	Th 10:55-11:45	1007		08/17-12/18	GR										
<p>ENG IA-V16 is designed for Student Veterans, addressing related topics. It is open to all students for enrollment. If you have any questions, please contact the Veterans Resource Center at 925-424-1570 or <a href="mailto:LPCVeteransFirst@laspositascollege.edu">LPCVeteransFirst@laspositascollege.edu</a>.</p>																	
Day	20196	MW	11:00-12:15	1007	GONZALES	08/17-12/18	GR	PO1									
		Lab	Wed 12:30-1:20	1007		08/17-12/18	GR										
<p>The above ENG IA-PO1 section is part of the Puente Program Learning Community. For more information, or to register for the program, please contact Rafael Valle at <a href="mailto:rvalle@laspositascollege.edu">rvalle@laspositascollege.edu</a>.</p>																	
Day	21607	MW	11:00-12:15	1006	BUMMER	08/17-12/18	GR	U01									
		Lab	Mon 12:30-1:20	1006		08/17-12/18	GR										



D/E	CRN	DAYS	TIMES	ROOM	INSTRUCTOR	DATES	CODES	SEC	D/E	CRN	DAYS	TIMES	ROOM	INSTRUCTOR	DATES	CODES	SEC
-----	-----	------	-------	------	------------	-------	-------	-----	-----	-----	------	-------	------	------------	-------	-------	-----

**ENG 1AEX CRITICAL READING COMP EXPANDED 4.0 Units**

Integrated approach to reading, writing, and critical thinking intended to develop ability to read and write complex, college-level prose. Examination of ideas in relation to individual's worldview and contexts from which these ideas arise. Some research required. Integrated approach to reading, writing, and critical thinking intended to develop ability to read and write complex, college-level prose. English 1AEX provides students with an extra unit of lab to support students in reading and writing complex, college-level prose. Students who have completed, or are enrolled in, ENG 1A may not receive credit.

*Prerequisite: ENG 104 with a minimum grade of P or ESL 25 with a minimum grade of C*

*Note: Students may decide to take the English 104, NENG 204, or ESL 25 prerequisite course listed on English 1A and 1AEX, but it is not required. All students must complete the Guided Self-Placement to determine which English class to take. For more information please see <http://www.laspositascollege.edu/assessmentcenter/guided-self-placement.php>.*

Day	22721	MW	8:00-9:15	401A	OTT	08/17-12/18	GR	V01
	Lab	MW	9:25-10:40	401A		08/17-12/18	GR	
Day	22722	MW	8:00-9:15	401B	PARK	08/17-12/18	GR	V02
	Lab	MW	9:25-10:40	401B		08/17-12/18	GR	
Day	22723	MW	11:00-12:15	401B	MOELLERING	08/17-12/18	GR	V03
	Lab	MW	12:25-1:40	401B		08/17-12/18	GR	
Day	22724	MW	2:00-3:15	401B	STAFF	08/17-12/18	GR	V04
	Lab	MW	3:25-4:40	401B		08/17-12/18	GR	
Day	22725	TTh	8:00-9:15	401A	EAGAN	08/17-12/18	GR	V05
	Lab	TTh	9:25-10:40	401A		08/17-12/18	GR	
Day	22726	TTh	11:00-12:15	401B	COLE	08/17-12/18	GR	V06
	Lab	TTh	12:25-1:40	401B		08/17-12/18	GR	
Day	22727	TTh	2:00-3:15	401A	GONZALES	08/17-12/18	GR	V07
	Lab	TTh	3:25-4:40	401A		08/17-12/18	GR	
Day	23239	TTh	2:00-3:15	401B	BIELAWSKI	08/17-12/18	GR	V08
	Lab	TTh	3:25-4:40	401B		08/17-12/18	GR	
Eve	22728	MW	6:00-7:15	401A	GARCIA	08/17-12/18	GR	093
	Lab	MW	7:25-8:40	401A		08/17-12/18	GR	
Eve	22913	TTh	6:00-7:15	401B	DUARTE	08/17-12/18	GR	094
	Lab	TTh	7:25-8:40	401B		08/17-12/18	GR	

**ENG 4 CRITICAL THINKING/Writing LIT 3.0 Units**

Develops critical thinking, reading, and writing skills as they apply to the analysis of fiction, poetry and drama; literary criticism; and related non-fiction from diverse cultural sources and perspectives. Emphasis on the techniques and principles of effective written argument as they apply to literature. Some research required.

*Prerequisite: ENG 1A or ENG 1AEX with a minimum grade of C*

Day	22535	MW	8:00-9:15	1007	MOELLERING	08/17-12/18	GR	V01
Day	21772	MW	9:30-10:45	1007	SWANSON-GAR	08/17-12/18	GR	V02
Day	20203	MW	12:30-1:45	1602	O'HERIN	08/17-12/18	GR	V03
Day	21774	TTh	12:30-1:45	1006	ROBINSON	08/17-12/18	GR	V04
Day	20390	MW	2:00-3:15	1006	MCMICHAEL	08/17-12/18	GR	V05
Day	20204	TTh	9:30-10:45	1006	ELLINGSWOR	08/17-12/18	GR	V06
Day	20206	TTh	11:00-12:15	1006	ROBINSON	08/17-12/18	GR	V07
Day	21746	TTh	1:30-2:45	104	HEINRICH	08/17-12/18	GR	V08
Eve	20211	Mon	7:00-9:50	1641	KAPLAN	08/17-12/18	GR	093
Eve	21608	Tue	6:30-9:20	1007	MYLIUS	08/17-12/18	GR	094

**Web 21773 ONLINE EAGAN 08/17-12/18 GR DE1**  
 ENG 4-DE1 is an online course. For more information, see the section titled "Online Learning" in the schedule, or go to <http://www.laspositascollege.edu/onlinelearning>.

**Web 21775 ONLINE EAGAN 08/17-12/18 GR DE2**  
 ENG 4-DE2 is an online course. For more information, see the section titled "Online Learning" in the schedule, or go to <http://www.laspositascollege.edu/onlinelearning>.

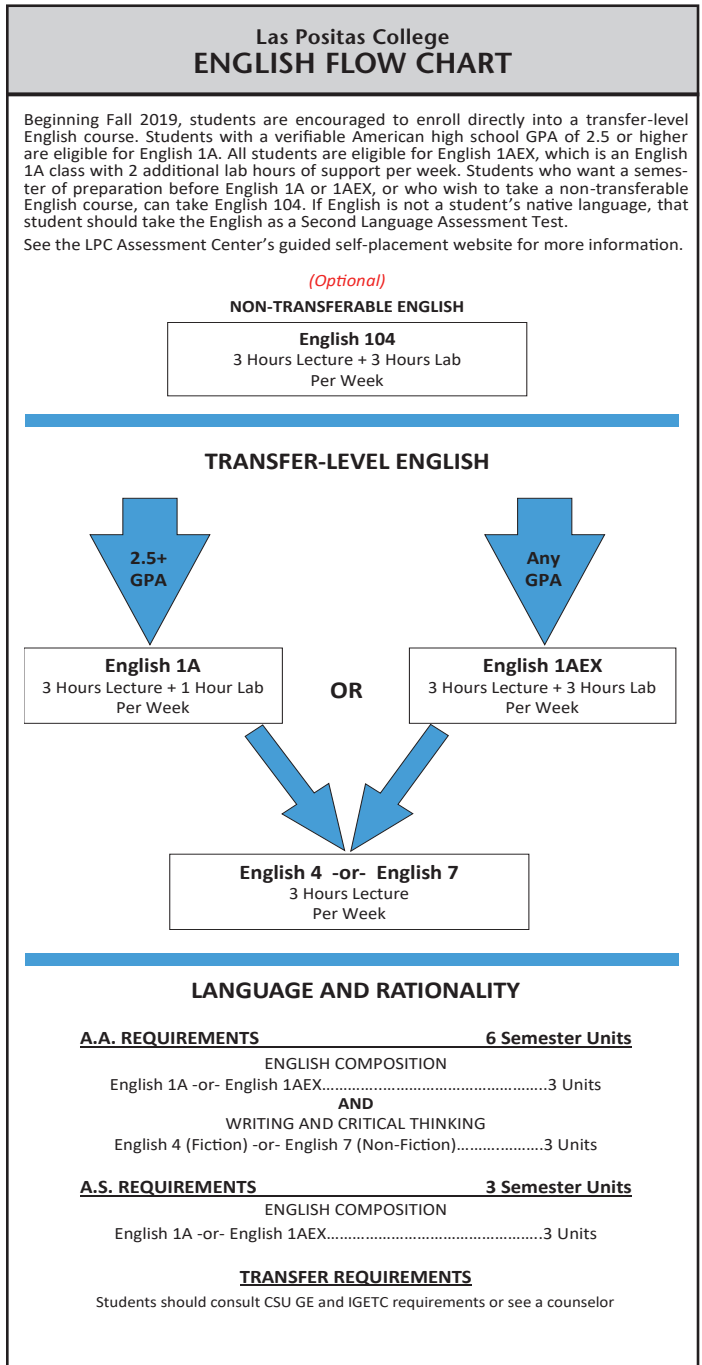
**Web 23213 ONLINE BUDD 08/17-12/18 GR DE3**  
 ENG 4-DE3 is an online course. For more information, see the section titled "Online Learning" in the schedule, or go to <http://www.laspositascollege.edu/onlinelearning>.

**ENG 7 CRITICAL THINKING/Writing 3.0 Units**

Develops critical thinking, reading, and writing skills as they apply to the textual analysis of primary and secondary book-length works from a range of academic and cultural contexts. Emphasis on the techniques and principles of effective written argument in research-based writing across disciplines.

*Prerequisite: ENG 1A or ENG 1AEX with a minimum grade of C*

Day	20208	MW	8:00-9:15	2470	SMIGELSKI	08/17-12/18	GR	V01
Day	20475	MW	9:30-10:45	1006	SMIGELSKI	08/17-12/18	GR	V02
Day	20205	MW	12:30-1:45	106	EAGAN	08/17-12/18	GR	V03
Day	20207	TTh	8:00-9:15	1006	PARK	08/17-12/18	GR	V04
Day	21368	TTh	9:30-10:45	2460	SPIRN	08/17-12/18	GR	V05
Day	22022	TTh	11:00-12:15	2470	TURNER	08/17-12/18	GR	V06
Day	20299	TTh	2:00-3:15	1006	TURNER	08/17-12/18	GR	V07
Eve	20268	MW	7:00-8:15	2412	STAFF	08/17-12/18	GR	093



D/E	CRN	DAYS	TIMES	ROOM	INSTRUCTOR	DATES	CODES	SEC	D/E	CRN	DAYS	TIMES	ROOM	INSTRUCTOR	DATES	CODES	SEC
Even	21747	TTh	4:00-5:15	507	DUARTE	08/17-12/18	GR	094									
Web	20983		ONLINE		BUMMER	08/17-12/18	GR	DE1									
<p>ENG 7-DE1 is an online course. For more information, see the sections titled "Online Learning" in this schedule, or go to <a href="http://www.laspositascollege.edu/onlinelearning">http://www.laspositascollege.edu/onlinelearning</a>.</p>																	
Web	21087		ONLINE		BUMMER	08/17-12/18	GR	DE2									
<p>ENG 7-DE2 is an online course. For more information, see the section titled "Online Learning" in this schedule, or go to <a href="http://www.laspositascollege.edu/onlinelearning">http://www.laspositascollege.edu/onlinelearning</a>.</p>																	
Web	21863		ONLINE		TURNER	08/17-12/18	GR	DE3									
<p>ENG 7-DE3 is an online course. For more information, see the section titled "Online Learning" in this schedule, or go to <a href="http://www.laspositascollege.edu/onlinelearning">http://www.laspositascollege.edu/onlinelearning</a>.</p>																	
Web	23214		ONLINE		CONNORS	08/17-12/18	GR	DE4									
<p>ENG 7-DE4 is an online course. For more information, see the section titled "Online Learning" in the schedule, or go to <a href="http://www.laspositascollege.edu/onlinelearning">http://www.laspositascollege.edu/onlinelearning</a>.</p>																	
Web	23670		ONLINE		CONNORS	08/17-12/18	GR	DE5									
<p>ENG 7-DE5 is an online course. For more information, see the section titled "Online Learning" in the schedule, or go to <a href="http://www.laspositascollege.edu/onlinelearning">http://www.laspositascollege.edu/onlinelearning</a>.</p>																	

Prerequisite: ENG 1A with a minimum grade of C

Day	23575	TTh	12:30-1:45	1053	GONZALES	08/17-12/18	OP	V01
-----	-------	-----	------------	------	----------	-------------	----	-----

**ENG 104 INTEGRATED READING & WRITING II 4.0 Units**  
 An accelerated one-semester preparation in English for success in college. Integrates reading, critical thinking and writing assignments, using materials that present a variety of perspectives from across the curriculum.

Day	22914	MW	11:00-12:15	401A	SATO	08/17-12/18	P/N	V01
		Lab	12:25-1:40	401A		08/17-12/18	P/N	
Day	22915	TTh	11:00-12:15	401A	DRY	08/17-12/18	P/N	V02
		Lab	12:25-1:40	401A		08/17-12/18	P/N	

## ENGLISH AS A SECOND LANGUAGE

**ENG 11 INTRO TO CREATIVE WRITING 3.0 Units**  
 Introduction to elements and craft of various genres of creative writing, including narrative, verse, and dialogue, using materials drawn from individual's own work and selected texts from established and peer writers. Practice in writing in various genres. Introduction to workshop method.  
 Strongly recommended: Completion of English 1A with a minimum grade of C.

Day	20292	TTh	12:30-1:45	403	ADMASSU	08/17-12/18	GR	V01
-----	-------	-----	------------	-----	---------	-------------	----	-----

**ENG 12A CRAFT OF WRITING FICTION 3.0 Units**  
 Practice in writing fiction. Developing internal and external sources for stories and novels; biographical sources, characterization, plot, points-of-view, narrative techniques; analysis and criticism of published writing and individual's own work.  
 Strongly Recommended: ENG 11 with a minimum grade of C and eligibility for ENG 1A.

Even	21969	Wed	6:30-9:20	1006	DRY	08/17-12/18	OP	093
------	-------	-----	-----------	------	-----	-------------	----	-----

**ENG 12B CRAFT OF WRITING FICT:INTERMED 3.0 Units**  
 Practice in writing fiction at an intermediate level. Builds on the skills developed in English 12A by requiring the use of vivid description, specific detail, dynamic and rounded character development, consistent point of view, and logical plotting that avoids cliché. Focus on developing themes that create intellectual or emotional resonance. Expectation of sentence structure, grammar, and format accuracy. Develop internal and external sources for stories and novels; analysis and criticism of published short fiction and a book-length work; analysis and criticism of peer work and individual's own work. Requires submission for publication at the end of the semester.  
 Strongly Recommended: ENG 12A with a minimum grade of C and ENG 1A with a minimum grade of C

Even	21970	Wed	6:30-9:20	1006	DRY	08/17-12/18	OP	093
------	-------	-----	-----------	------	-----	-------------	----	-----

**ENG 41 MODERN WORLD LITERATURE 3.0 Units**  
 This course is a comparative study of selected works, in translation and in English, of literature from various regions and cultures around the world, including Africa, Europe, the Middle East, Asia, the Americas, and other areas from the mid-or-late seventeenth century to the present.  
 Prerequisite: ENG 1A (completed with a grade of "C" or higher).

Day	21609	MW	9:30-10:45	2470	BUMMER	08/17-12/18	GR	V01
-----	-------	----	------------	------	--------	-------------	----	-----

**ENG 42 LITERATURE AFRICAN DIASPORA 3.0 Units**  
 Form, development, and cultural and historic insights of literature of the African diaspora in America and the United States, including some or all of the following: short fiction and novels, oral history and memoir, poetry, plays, songs, popular culture, and nonfiction; exploration of particular themes or periods as reflected in the literature of people of the African diaspora created in America.

**ESL 23 COLLEGE GRAMMAR 3.0 Units**  
 This is a one-semester advanced grammar course for academic purposes. The course focuses on sentences, clauses, and phrases, verb tenses and forms, auxiliary verbs and modals, and grammar analysis to enhance reading comprehension.  
 Prerequisite: ESL 120B or NESL 220B and ESL 121B with a minimum grade of P or NESL 221B or placement through the ESL assessment process.  
 Students are advised to enroll concurrently in ESL 23 and ESL 24 or 25.

Day	20179	Fri	9:30-12:20	1053	LEHR	08/17-12/18	OP	V01
-----	-------	-----	------------	------	------	-------------	----	-----

**ESL 24 ADV. READING AND COMPOSITION I 6.0 Units**  
 This is the first semester of a one-year advanced reading and writing course for academic purposes. Emphasis is on critical reading techniques and writing expository essays as well as on grammar and vocabulary development.  
 Prerequisite: ESL 121B with a minimum grade of Pass or Placement through the ESL assessment process

Day	20129	MW	9:00-11:50	403	PODEVYN	08/17-12/18	OP	V01
		Lab	12:00-12:50	600		08/17-12/18	OP	
Day	20130	MW	9:00-11:50	1053	DEBAKCSY	08/17-12/18	OP	V02
		Lab	12:00-12:50	600		08/17-12/18	OP	

**ESL 25 ADV. READING AND COMPOSITION II 6.0 Units**  
 This is the second semester of a one-year advanced reading and writing course for academic purposes. Emphasis is on critical reading and techniques of exposition, analysis, and argumentation.  
 Prerequisite: ESL 24 with a minimum grade of C or Placement through the ESL assessment process.  
 Students are advised to enroll concurrently in ESL 25 and 23 or 26.

Day	21418	MW	9:00-11:50	1051	BRICKMAN	08/17-12/18	OP	V01
		Lab	12:00-12:50	600		08/17-12/18	OP	

**ESL 26 ADVANCED EDITING 3.0 Units**  
 This course is designed to increase students' awareness of their own use of written language, and give them practice in editing strategies which will enable them to use linguistic forms accurately, meaningfully and appropriately in written expression.  
 Prerequisite: ESL 120B or NESL 220B and ESL 121B or NESL 221B with a minimum grade of P or placement through the ESL assessment process.  
 Students are advised to enroll concurrently in ESL 26 and ESL 24 or 25.

Even	23329	Th	6:30-9:20	1058	STAFF	08/17-12/18	OP	093
------	-------	----	-----------	------	-------	-------------	----	-----

**ESL 110 BEGINNING VOCABULARY SKILLS 1.0 Units**  
 This is a beginning level vocabulary skills class, designed to enable English language learners to improve language proficiency by learning new vocabulary and developing vocabulary-building skills. The class will focus on the 0-1000 most common words in English, dictionary skills, and beginning morphology including prefixes, suffixes and roots.

Day	23330	Tue	9:30-10:20	1052	STAFF	08/17-12/18	P/N	V01
		Lab	10:30-11:20	1052		08/17-12/18	P/N	

**ESL 120A INTERM. GRAMMAR/READ,WRITE I 3.0 Units**

This is the first semester of a one-year course in intermediate grammar for academic writing and reading designed to enable students to use linguistic forms accurately, meaningfully and appropriately in written expression. This course focuses on compound and complex sentences, verb tense and form, and modals. This course also emphasizes grammar analysis, detecting and correcting grammatical errors, and self-editing skills.

*Prerequisite:* ESL 130B or appropriate skill level demonstrated through the ESL assessment process.

*Students are advised to enroll concurrently in ESL 120A and 121A and 123 or 126.*

Day	21557	Mon	9:00-11:50	101	MCGURK	08/17-12/18	P/N	V01
Eve	20105	Mon	6:30-9:20	1006	STAFF	08/17-12/18	P/N	093

**ESL 120B INTERM. GRAMMAR/READ,WRITE II 3.0 Units**

This is the second semester of a one-year course in intermediate grammar for academic writing and reading designed to enable students to use linguistic forms accurately, meaningfully and appropriately in written expression. The course focuses on compound and complex sentences and short paragraphs, overview of the verb tense system in English, verb forms with gerunds and infinitives, verb forms in modifying phrases, and modals. This course also emphasizes analyzing grammar and meaning, detecting and correcting grammatical errors, and self-editing skills.

*Prerequisite:* ESL 120A or appropriate skill level demonstrated through the ESL assessment process.

*Students are advised to enroll concurrently in ESL 120B, 121B, and 123 or 126.*

Day	21558	Wed	9:00-11:50	101	MCGURK	08/17-12/18	P/N	V01
Eve	21560	Mon	6:30-9:20	1060	STAFF	08/17-12/18	P/N	093

**ESL 121A INTERM. READING AND WRITING 6.0 Units**

This is the first semester of a one-year course in intermediate academic writing and reading. Classes will focus on writing sentences, paragraphs and compositions, developing strategies for reading comprehension and flexibility, on interactive reading, and on academic vocabulary development. Students will develop cultural understanding, vocabulary, and fluency through a variety of academic writing and reading tasks.

*Prerequisite:* ESL 131B with a minimum grade of Pass or placement through the ESL assessment process.

*Students are advised to enroll concurrently in ESL 120A, 121A and 123 or 126.*

Day	20522	TTh	9:00-11:50	1008	PAYNE	08/17-12/18	P/N	V01
Lab		Tue	12:00-12:50	600		08/17-12/18	P/N	
Day	20802	TTh	9:00-11:50	1051	PABLEY	08/17-12/18	P/N	V02
Lab		Tue	12:00-12:50	600		08/17-12/18	P/N	

**ESL 121B HIGH-INTERMEDIATE READING 6.0 Units**

This is the second semester of a one-year course in intermediate academic writing and reading. Classes will focus on writing sentences, paragraphs and compositions, developing strategies for reading comprehension and flexibility, on interactive reading, and academic vocabulary development. Students will develop cultural understanding and fluency through a variety of academic writing and reading tasks.

*Prerequisite:* ESL 121A with a minimum grade of C or placement through the ESL assessment process.

*Students are advised to enroll concurrently in ESL 120B, 121B and 123 or 126.*

Day	20290	TTh	9:00-11:50	403	MCGURK	08/17-12/18	P/N	V01
Lab		Tue	12:00-12:50	600		08/17-12/18	P/N	
Eve	23557	TTh	6:30-9:20	2460	BRICKMAN	08/17-12/18	P/N	093
Lab		Tue	5:30-6:20	2460		08/17-12/18	P/N	

**ESL 126 INTERMEDIATE PRONUNCIATION AND 2.0 Units**

Focused practice on recognizing and producing individual speech sounds, stress patterns, rhythm and intonation patterns, and grammatical signals through activities such as oral presentations,

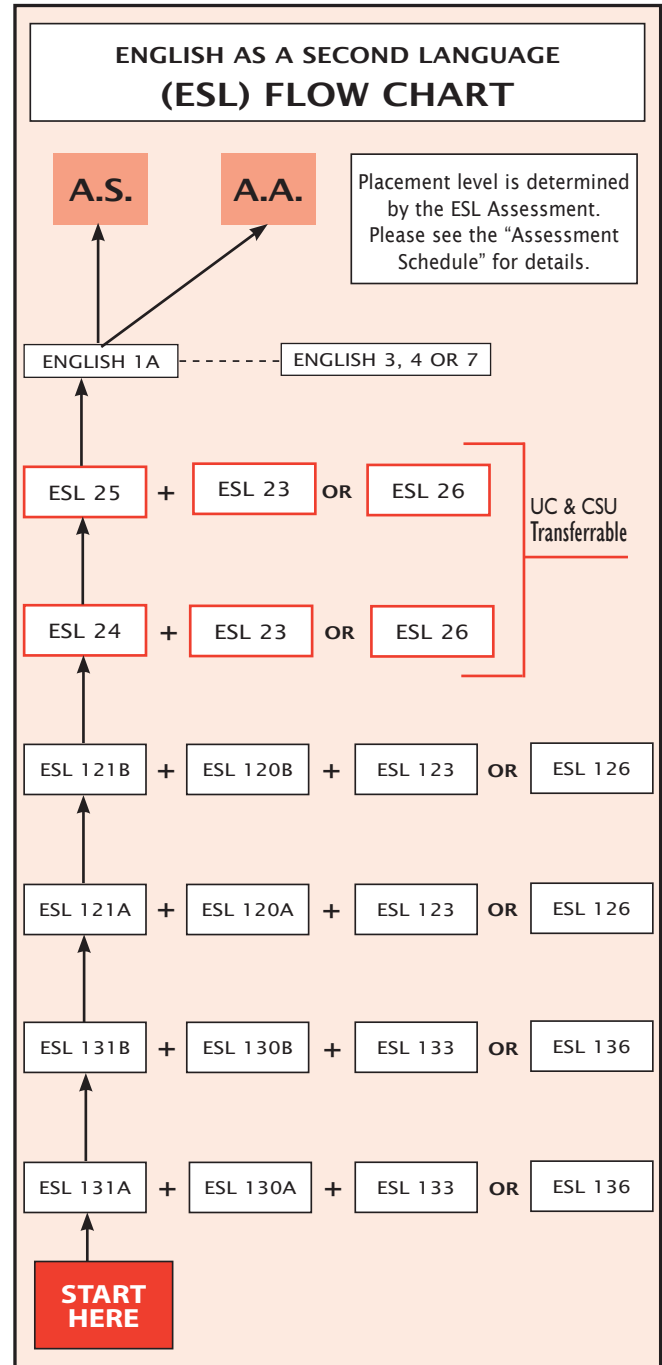
role play, authentic dialogue, and reading presentations.

*Prerequisite:* ESL 130B or ESL 131B or ESL 136 with a minimum grade of P or placement through ESL assessment process

Day	22139	Fri	9:30-11:20	1058	STAFF	08/17-12/18	P/N	V01
Lab		Fri	11:30-12:20	1058		08/17-12/18	P/N	

**ESL 130A BEGINNING GRAMMAR FOR READING 3.0 Units**

This is the first semester of a one-year course in beginning grammar for academic purposes designed to enable students to understand and use English accurately, meaningfully and appropriately. The course focuses on the connection between vocabulary and grammar, simple and compound sentences, phrases, verb forms, and verb tenses, especially simple present, simple past, and present progressive.





*Strongly Recommended: Placement through the ESL assessment process*

*Students are advised to enroll concurrently in ESL 130A, 131A, and 133 or 136.*

Day	21561	Th	9:00-11:50	402	STAFF	08/17-12/18	P/N	V01
Eve	21562	Th	6:30-9:20	1053	STAFF	08/17-12/18	P/N	093

**ESL 130B HIGH-BEGINNING GRAMMAR 3.0 Units**

This is the second semester of a one-year course in beginning grammar for academic purposes designed to enable students to identify and use linguistic forms accurately, meaningfully and appropriately in written expression. The course focuses on simple and compound sentences, word order, verb tenses: simple present, past, and future as well as present and past progressive, verb forms, modals, phrases, and vocabulary development.

*Prerequisite: ESL 130A or NESL 230A with a minimum grade of P or placement through the ESL assessment process.*

*Students are advised to enroll concurrently in ESL 130B, 131B, and 133 or 136.*

Day	21563	Th	9:00-11:50	1052	STAFF	08/17-12/18	P/N	V01
Eve	21564	Th	6:30-9:20	1059	STAFF	08/17-12/18	P/N	093

**ESL 131A BEGINNING READING AND WRITING 6.0 Units**

This is the first semester of a one-year course in beginning academic writing and reading. Classes will focus on writing simple and compound sentences in short paragraphs, on developing strategies for increasing reading comprehension and flexibility, on interactive reading, and on developing academic vocabulary. Students will develop cultural understanding and fluency through a variety of writing and reading tasks.

*Strongly recommended: Appropriate skill level demonstrated through the ESL assessment process.*

*Students are advised to enroll concurrently in ESL 131A, 130A, and 133 or 136.*

Day	20146	MW	9:00-11:50	507	BILBAO	08/17-12/18	P/N	V01
		Lab Mon	12:00-12:50	600		08/17-12/18	P/N	
Eve	22916	MW	6:30-9:20	1053	STAFF	08/17-12/18	P/N	093
		Lab Mon	5:30-6:20	1053		08/17-12/18	P/N	

**ESL 131B HIGH-BEG. READING AND WRITING 6.0 Units**

This is the second semester of a one-year course in beginning academic writing and reading. Classes will focus on writing simple, compound, and complex sentences in structured paragraphs, on developing strategies for increasing reading comprehension and flexibility, on interactive reading, and on developing academic vocabulary. Students will develop cultural understanding and fluency through a variety of writing and reading tasks.

*Prerequisite: ESL 131A or NESL 231A completed with a minimum grade of Pass or placement through the ESL assessment process.*

*Students are advised to enroll concurrently in ESL 131B and 130B, and 133 or 136.*

Day	20291	MW	9:00-11:50	1008	PAYNE	08/17-12/18	P/N	V01
		Lab Wed	12:00-12:50	1008		08/17-12/18	P/N	
Eve	20337	MW	6:30-9:20	1051	STAFF	08/17-12/18	P/N	093
		Lab Mon	5:30-6:20	1051		08/17-12/18	P/N	

**ESL 133 BEGINNING ORAL COMMUNICATION 2.0 Units**

This is a beginning oral communication course. This course will enable students to use English accurately, meaningfully and appropriately, emphasizing conversational skills: listening and speaking in small groups, using new grammar structures, learning new words and expressions, comprehending and using idiomatic expressions.

*Strongly Recommended: placement through the ESL assessment process.*

Day	21138	Fri	9:30-11:20	1051	STAFF	08/17-12/18	P/N	V01
		Lab Fri	11:30-12:20	1051		08/17-12/18	P/N	

## ENVIRONMENTAL STUDIES

**EVST 5 ENGERY AND SUSTAINABILITY 3.0 Units**

Introduction and exploration of Energy production, utilization, management, and the effects on society, and the environment. This course will also compare and contrast current and future renewable and nonrenewable methods of energy generation, auditing, and conservation.

*Strongly Recommended: Eligibility for ENG 1A*

Day	20820	MW	11:00-12:15	1871	HARPELL	08/17-12/18	OP	V01
-----	-------	----	-------------	------	---------	-------------	----	-----

## FIRE SERVICE TECHNOLOGY

**FST 1 FIRE PROTECTION ORGANIZATION 3.0 Units**

This course provides an overview to fire protection and emergency services, career opportunities in fire protection and related fields, culture and history of emergency services, fire loss analysis, organization and function of public and private fire protection services, fire departments as part of local government, laws and regulations affecting the fire service; fire service nomenclature, specific fire protection functions, basic fire chemistry and physics, introduction to fire protection systems, introduction to fire strategy and tactics, and life safety initiatives.

Day	23576	Tue	10:30-1:20	1053	SIERRA	08/17-12/18	GR	V01
Eve	22901	Mon	7:30-10:20	1056	SIERRA	08/17-12/18	GR	093

**FST 2 PRINCIPLES OF FIRE SAFETY 3.0 Units**

This course introduces the basic principles and history related to the national firefighter life safety initiatives, focusing on the need for cultural and behavior change throughout the emergency services; assessing fire dangers and handling common fire situations; risk abatement and personal preparation for unforeseen fire emergencies; roles and responsibilities in educating the public on fire safety; development of a survival attitude using problem-solving techniques for increased situational awareness and self-reliance in an emergency.

Day	22902	Tue	2:00-4:50	1056	SIERRA	08/17-12/18	GR	V01
-----	-------	-----	-----------	------	--------	-------------	----	-----

**FST 3 FIRE BEHAVIOR AND COMBUSTION 3.0 Units**

Theory and fundamentals of why fires start, spread, and are controlled. An in-depth study of fire chemistry and fire physics, characteristics of materials, extinguishing agents, and fire control techniques.

Day	22903	Th	10:30-1:20	801	ZOLFARELLI	08/17-12/18	GR	V01
-----	-------	----	------------	-----	------------	-------------	----	-----

**FST 4 FIRE PREVENTION 3.0 Units**

Provides fundamental knowledge relating to the field of fire prevention. Topics include history and philosophy of fire prevention and organization, organization and operation of a fire prevention bureau, use and applications fire codes and standards, plans review, fire inspections, identification and correction of fire hazards, fire and life safety education, and fire investigation.

*Strongly Recommended: FST 1 with a minimum grade of C*

Eve	23115	Wed	7:30-10:20	2201	STAFF	08/17-12/18	GR	093
-----	-------	-----	------------	------	-------	-------------	----	-----

**FST 5 FIRE PROTECTION SYSTEMS 3.0 Units**

This course provides information relating to the features of design, and operations of fire alarm systems, water-based suppression systems, special hazard fire suppression systems and water supply for fire protection, smoke and thermal detection systems. Installation, testing and maintenance of automatic or manual protection systems and water supply for sprinkler and standpipe systems and portable fire extinguishers.

Day	22904	Th	2:00-4:50	1056	SIERRA	08/17-12/18	GR	V01
-----	-------	----	-----------	------	--------	-------------	----	-----

D/E	CRN	DAYS	TIMES	ROOM	INSTRUCTOR	DATES	CODES	SEC	D/E	CRN	DAYS	TIMES	ROOM	INSTRUCTOR	DATES	CODES	SEC
-----	-----	------	-------	------	------------	-------	-------	-----	-----	-----	------	-------	------	------------	-------	-------	-----

**FST 6 CONSTRUCTION FIRE PROTECTION 3.0 Units**

This course provides the components of building construction related to fire and life safety. The elements of construction and design of structures are shown to be key factors when inspecting buildings, preplanning fire operations, and operating at fire and collapse emergencies. Development and evolution of building and fire codes will be studied in their relationship to past fires and collapses in residential, commercial, and industrial occupancies.

*Strongly Recommended: FST 1 with a minimum grade of C*

Day	23167	Mon	1:00-3:50	1056	SIERRA	08/17-12/18	GR	V01
-----	-------	-----	-----------	------	--------	-------------	----	-----

**FST 7 FIRE SERVICE CONDITIONING 1.0 Units**

This course is an introduction to the components of physical fitness development and conditioning, with an emphasis in preparing students for the physical agility performance and testing standards required of "Emergency First Responder" Candidates entering into Police or Fire Academies. Students will be presented instruction on proper warm-up and stretching techniques, how to maintain and develop the components of fitness through increased muscular strength and muscular endurance, cardiovascular endurance and recovery, and increased flexibility and balance. Students will be introduced to Circuit Training and will also receive skills instruction on various testing parameters of the Nationally approved and recognized Certified Physical Agility Test (CPAT). Students will additionally receive instruction on various "Tools of the Trade" (i.e., Ladde Fire Hose, SCBA) for developing proper skills in handling, lifting and carrying techniques as well as developing cardio-respiratory control and aerobic conditioning while wearing a "Self Contained Breathing Apparatus" (SCBA) under conditions of physical exertion.

Eve	23679	Lab Mon	4:00-6:50	801	FRELEN	08/17-12/18	GR	093
-----	-------	---------	-----------	-----	--------	-------------	----	-----

## FRENCH

**FREN 1A BEGINNING FRENCH 5.0 Units**

This introductory level course will enable students to begin speaking, reading and writing elementary level French as well as understanding the spoken language. Students are introduced to concepts of grammar, vocabulary and verb tenses in a variety of auditory, visual and written contexts.

*Strongly Recommended: Eligibility for ENG 1A*

Web	22683	ONLINE	ALLIBAND-MC	08/17-12/18	OP	DEI
-----	-------	--------	-------------	-------------	----	-----

*FREN 1A-DEI is an online course. For more information, see the section titled "Online Learning" in this schedule, or go to <http://www.laspositascollege.edu/onlinelearning>.*

**FREN 1B ELEMENTARY FRENCH 5.0 Units**

This is the second semester of the introductory level course and will enable students to continue to learn to speak, read and write elementary level French as well as to understand the spoken language. Students are introduced to concepts of grammar, vocabulary and verb tenses in a variety of auditory, visual and written contexts.

*Prerequisite: FREN 1A with a minimum grade of C or appropriate skill level demonstrated through the assessment process.*

Web	23671	ONLINE	ALLIBAND-MC	08/17-12/18	OP	DEI
-----	-------	--------	-------------	-------------	----	-----

*FREN 1B-DEI is an online course. For more information, see the section titled "Online Learning" in this schedule, or go to <http://www.laspositascollege.edu/onlinelearning>*

## GEOGRAPHY

**GEOG 1 INTRO TO PHYSICAL GEOGRAPHY 3.0 Units**

This course is a spatial study of the Earth's dynamic physical system and processes. Topics include: Earth-sun geometry, weather, climate, water, landforms, soil, and the biosphere

with emphasis on spatial characteristics, change over time, interactions between environmental components, and human-environment interactions. Tools of geographic inquiry are also briefly covered; they include maps, remote sensing, Geographic Information Systems (GIS) and Global Positioning Systems (GPS).

**GEOG 1 STUDENTS ARE STRONGLY ENCOURAGED TO ENROLL CONCURRENTLY IN GEOG 1L**

Day	20019	MW	9:30-10:45	1011	ORF	08/17-12/18	GR	V01
Day	20391	TTh	2:00-3:15	1826	ORF	08/17-12/18	GR	V02
Eve	23301	Wed	6:00-8:50	1826	LIRENSO	08/17-12/18	GR	093
Web	20587	ONLINE			ORF	08/17-12/18	GR	DEI

*GEOG 1-DE1 is an online course. For more information, see the section titled "Online Learning" in this schedule, or go to <http://www.laspositascollege.edu/onlinelearning>.*

Web	21852	ONLINE			ORF	08/17-12/18	GR	DE2
-----	-------	--------	--	--	-----	-------------	----	-----

*GEOG 1-DE2 is an online course. For more information, see the section titled "Online Learning" in this schedule, or go to <http://www.laspositascollege.edu/onlinelearning>.*

**GEOG 1L INTRO. PHYSICAL GEOGRAPHY LAB 1.0 Units**

This course is designed to provide supplemental exercises in topics covered in physical geography lecture. Lab experience will include map analysis and interpretation, weather prognostication, landform processes and evolution, tectonics, biogeography, and habitat analysis.

*Prerequisite: GEOG 1 with a minimum grade of C (may be taken concurrently)*

*Geography Lab (Geography 1L) is a hands-on laboratory providing opportunities for reinforcing lecture concepts and for exploring additional Physical Geography topics through interactive technologies.*

Day	20544	Lab Mon	1:00-3:50	1828	LIRENSO	08/17-12/18	GR	V01
Day	21565	Lab Fri	9:00-11:50	1828	ALLRED	08/17-12/18	GR	V02
Eve	20119	Lab Mon	6:00-8:50	1828	LIRENSO	08/17-12/18	GR	093

**GEOG 2 CULTURAL GEOGRAPHY 3.0 Units**

The course is a study of diverse human populations, their cultural origins, diffusion and contemporary spatial expressions. Topics include: demography, languages and religions, urbanization and landscape and religions, urbanization and landscape modification, political units and nationalism, and economic systems and development.

Day	20278	TTh	11:00-12:15	1826	ORF	08/17-12/18	GR	V01
-----	-------	-----	-------------	------	-----	-------------	----	-----

**GEOG 5 WORLD REGIONAL GEOGRAPHY 3.0 Units**

Survey of the world's culture regions and nations as interpreted by geographers, including physical, cultural, and economic features. Emphasis on spatial and historical influences on population growth, transportation networks, and natural environments. Identification and importance of the significant features of regions.

Day	23302	MW	11:00-12:15	1826	ORF	08/17-12/18	GR	V01
-----	-------	----	-------------	------	-----	-------------	----	-----

**GEOG 12 GEOGRAPHY OF CALIFORNIA 3.0 Units**

A thematic approach to the state's issues, processes and topics relevant to geography including climate, landforms, natural vegetation, water resources, cultural landscape, ethnic diversity, urban and agricultural regions, and the economy. This course explores the physical, and human landscapes that have evolved as a result of the human-environment interface.

Day	20371	TTh	12:30-1:45	1826	ORF	08/17-12/18	GR	V01
-----	-------	-----	------------	------	-----	-------------	----	-----

## GEOLOGY

**GEOG 1 PHYSICAL GEOLOGY 3.0 Units**

The Earth, its materials, its internal and external processes, and its development through time. Emphasis is placed on a thorough global understanding of Plate Tectonics as a framework and foundation for subsequent geologic topics and concepts.

D/E	CRN	DAYS	TIMES	ROOM	INSTRUCTOR	DATES	CODES	SEC	D/E	CRN	DAYS	TIMES	ROOM	INSTRUCTOR	DATES	CODES	SEC
-----	-----	------	-------	------	------------	-------	-------	-----	-----	-----	------	-------	------	------------	-------	-------	-----

Topics include volcanoes, earthquakes and seismology, the Geologic Time Scale and the formation of the earth, rocks and minerals, hydrology, erosion, beach systems, environmental geology, glaciation, groundwater, etc. Course content includes the difference between theory and fact and the historical development of key geologic concepts. This is the foundation course for almost all subsequent geology courses for both geology majors and non-majors.

*The Geology lab (GEOL 1L) may be taken concurrently with the lecture (GEOL I) or during a later term. Enrollment in the lecture (GEOL I) does not automatically enroll the student in the lab (GEOL 1L); students must enroll in the lab course separately.*

Day	20331	MW	12:30-1:45	2420	HANNA	08/17-12/18	OP	V01
Web	20332		ONLINE		HANNA	08/17-12/18	OP	DE1

GEOL 1-DE1 is an online course. For more information, see the section titled "Online Learning" in this schedule, or go to <http://www.laspositascollege.edu/onlinelearning>.

Web	23558		ONLINE		HANNA	08/17-10/09	OP	DE2
-----	-------	--	--------	--	-------	-------------	----	-----

GEOL 1-DE2 is a fast track online course that meets from Aug 17-Oct 9. For more information, see the section titled "Online Learning" in this schedule, or go to <http://www.laspositascollege.edu/onlinelearning>.

**GEOL 1L PHYSICAL GEOLOGY LABORATORY 1.0 Units**

Laboratory course to supplement the physical geology lecture course. Introduction to the materials and techniques of geology. Includes minerals, rocks, topographic and geologic maps, structural geology, identification and interpretation of landforms, geologic time and relative age dating analysis, etc.

*Prerequisite: GEOL 1 or GEOL 5 or GEOL 7 with a minimum grade of C (May be taken concurrently).*

*The Geology Lab (GEOL 1L) may be taken concurrently with the lecture (GEOL I) or during a later term. Enrollment in the lecture (GEOL I) does not automatically enroll the student in the lab (GEOL 1L); students must enroll in the lab course separately.*

Day	22480	Lab Mon	9:30-12:20	1828	WASEM	08/17-12/18	OP	V01
Day	20333	Lab Wed	9:30-12:20	1828	CHRISTEN	08/17-12/18	OP	V02
Day	20334	Lab Wed	2:00-4:50	1828	CHRISTEN	08/17-12/18	OP	V03
Eve	21325	Lab Wed	6:30-9:20	1828	MARTIN	08/17-12/18	OP	093

**GEOL 7 ENVIRONMENTAL GEOLOGY:RESOURCE 3.0 Units**

Understanding how and where Earth's environmental resources are created and located, and then studying how the resources are accessed and utilized. Topics include rock and mineral resources, energy resources (including fossil fuel and non-fossil fuel resources), water (including rivers, reservoirs, groundwater, etc.), waste disposal (including water and air pollution), global climate changes (including the greenhouse effect), etc.

Web	22919		ONLINE		CHRISTEN	10/12-12/11	OP	LO1
-----	-------	--	--------	--	----------	-------------	----	-----

GEOL 7-LO1 is a FASTTRACK online course that meets from Oct 12-Dec 11. For more information, see the section titled Online Learning in this schedule or go to <http://www.laspositascollege.edu/onlinelearning>.

**GEOL 12 INTRODUCTION TO OCEANOGRAPHY 3.0 Units**

Introduction to the oceans, the history of oceanic science, instrumentation and exploration; marine geology including plate tectonics and shoreline processes; physical and chemical properties of sea water; causes and effects of currents, tides, and waves; introduction to the basic types of marine life, the basic marine habitats and ecosystems; distribution of marine resources and the Law of the Sea.

Day	20081	TTh	12:30-1:45	1011	MARTIN	08/17-12/18	OP	V01
Web	21326		ONLINE		HANNA	10/12-12/11	OP	LO1

GEOL 12-LO1 is a FASTTRACK online course that meets from Oct 12-Dec 11. For more information, see the section titled "Online Learning" in this schedule, or go to <http://www.laspositascollege.edu/onlinelearning>.

**GEOL 12L INTRO TO OCEANOGRAPHY LAB 1.0 Units**

Laboratory course to supplement the oceanography lecture course. Introduction to the materials and techniques of oceanic science. Includes sea floor rocks, oceanic geography, bathymetric maps, seismic reflection, seawater physics and chemistry, beach

sand, tides, waves, marine life and marine fossils, sea floor spreading rates, etc.

*Prerequisite: GEOL 12 (may be taken concurrently).*

*The Geology Lab (GEOL 12L) may be taken concurrently, or during a later term. Enrollment in the lecture (GEOL 12) does not automatically enroll the student in the lab (GEOL 12L); students must enroll in the lab course separately.*

Day	20493	Lab Tue	2:00-4:50	1828	WASEM	08/17-12/18	OP	V01
-----	-------	---------	-----------	------	-------	-------------	----	-----

## GLOBAL STUDIES

**GS 1 INTRODUCTION TO GLOBAL STUDIES 3.0 Units**

This course looks at the economic and political forces that have led to rapid changes in global interaction and culture over the past century, with special emphasis on the last twenty years. It explores the issues of nationalism, global citizenry, state violence, terrorism, the global economy, migration, the threatened environment, technology, and the role of multinational media industries on culture. Students who have completed, or are enrolled in, SOC 5 may not receive credit.

*Strongly Recommended: SOC 1 and ENG 1A with a minimum grade of C*

Day	22524	TTh	11:00-12:15	2490	THOMPSON	08/17-12/18	GR	V01
-----	-------	-----	-------------	------	----------	-------------	----	-----

## GRAPHIC DESIGN & DIGITAL MEDIA

**GDDM 4 USER INTERFACE AND EXP DESIGN 3.0 Units**

In this course students are introduced to the fields of User Experience Design and Interface Design. Key topics and desktop interface design, information architecture, user research, as well as UX planning documents such as wireframes and personas. Students learn many of the principles, processes, and techniques used to develop effective user interfaces.

Eve	22448	Mon	6:00-7:15	714	JAY	08/17-12/18	OP	093
		Lab Mon	7:15-9:05	714		08/17-12/18	OP	
		Lab Wed	7:00-9:15	714		08/17-12/18	OP	

**GDDM 51 COLOR THEORY 3.0 Units**

A basic-level course highlighting color as an element for communication and expression in all visual fields. Covers key color systems and their relevance to graphic and other visual arts and creative and technical aspects of color.

Day	23351	Tue	9:00-10:15	714	WAGNER	08/17-12/18	OP	V01
		Lab TTh	10:20-12:20	714		08/17-12/18	OP	

**GDDM 53 PHOTOSHOP I 3.0 Units**

Technical and skill development course using the most recent version of Adobe Photoshop at the introductory to create and manipulate digital images, photographs and illustrations. Emphasis on basic to lower-intermediate level techniques and tools used to create image files suitable for print and screen. Design principles emphasized to create effective output through computer-based composition.

*Strongly Recommended: GDDM 50 and GDDM 51 with a minimum grade of C*

Day	22450	Mon	11:00-12:15	714	KUO	08/17-12/18	OP	V01
		Lab Mon	12:20-1:35	714		08/17-12/18	OP	
		Lab Wed	11:00-1:50	714		08/17-12/18	OP	

**GDDM 54 ILLUSTRATOR I 3.0 Units**

Technical and drawing skill development course using the latest version of Illustrator at the basic-to intermediate-level to render 2-and 3-D digital drawings and illustrations. Emphasis on basic-to intermediate-level techniques and tools used to create image files suitable for print and screen. Design principles emphasized to create effective output through computer-based composition.



D/E	CRN	DAYS	TIMES	ROOM	INSTRUCTOR	DATES	CODES	SEC	D/E	CRN	DAYS	TIMES	ROOM	INSTRUCTOR	DATES	CODES	SEC
-----	-----	------	-------	------	------------	-------	-------	-----	-----	-----	------	-------	------	------------	-------	-------	-----

*Strongly Recommended: GDDM 50 with a minimum grade of C*

Day	22451	Tue	12:00-1:15	714	KUO	08/17-12/18	OP	V01
Lab	Tue	1:20-2:35	714			08/17-12/18	OP	
Lab	Th	12:00-2:50	714			08/17-12/18	OP	

**GDDM 55 WEB DESIGN I 3.0 Units**

This introductory web design course takes a visual communications approach to the creation of web sites, and the fundamental techniques required to format text, illustrations, tables, and images for the web. Emphasis is placed on appropriate design for the web-beginning with a graphic user interface balanced with HTML5 code and CSS3 hand-coding that is functional, logical, and attractive, and bringing the concept to life using Dreamweaver. The course also includes detailed instructions on how to use Dreamweaver to create web content, as well as an introduction to Content Management Systems such as Wordpress, Joomla! and Drupal.

*Strongly Recommended: GDDM 50 with a minimum grade of C*

Eve	23353	Mon	6:00-7:15	714	JAY	08/17-12/18	OP	093
Lab	Mon	7:20-8:35	714			08/17-12/18	OP	
Lab	Wed	6:00-8:50	714			08/17-12/18	OP	

**GDDM 56 INTRODUCTION TO GRAPHIC DESIGN 3.0 Units**

Design and skills development course exploring the creative processes, methods, strategies and tools used in developing concepts and final designs in any visual field including the basic elements of design: line, texture, value, shape, color, light, and spatial concepts. Emphasis is placed on experience applying design principles and conventions to create 2-dimensional work. Use of computers as digital design tool along with basic manual techniques relating to effective preparation, presentation, craftsmanship and professionalism in presentation.

Day	23354	Tue	9:00-10:15	714	KUO	08/17-12/18	OP	V01
Lab	Tue	10:20-11:35	714			08/17-12/18	OP	
Lab	Th	9:00-11:50	714			08/17-12/18	OP	

**GDDM 58 PHOTOSHOP II 3.0 Units**

Technical and design skill development course using Photoshop to create and manipulate images, illustrations, text and animations. Emphasis on intermediate-through advanced-level techniques and tools used to create photo-realistic composites, special effects, custom brushes, and Photoshop rendered imagery for print and screen.

*Prerequisite: GDDM 53 with a minimum grade of C*

*Strongly Recommended: GDDM 50*

Day	22452	Mon	11:00-12:15	714	KUO	08/17-12/18	OP	V01
Lab	Mon	12:20-1:35	714			08/17-12/18	OP	
Lab	Wed	11:00-1:50	714			08/17-12/18	OP	

**GDDM 64 INDESIGN I 3.0 Units**

This introductory level course in page layout and design uses Adobe InDesign software. Students assemble a variety of pieces such as booklets, brochures, magazines, newspapers, newsletters, and other communication materials. Emphasis is on learning techniques used by graphics professionals to create full-color pieces.

*Strongly Recommended: GDDM 50 and GDDM 52 with a minimum grade of C*

Day	22453	Tue	3:00-4:15	714	KUO	08/17-12/18	OP	V01
Lab	Tue	4:20-5:35	714			08/17-12/18	OP	
Lab	Th	3:00-5:50	714			08/17-12/18	OP	

**GDDM 67 INDESIGN II 3.0 Units**

Students will learn to use InDesign to create press-ready layouts using industry standard techniques and best practices. Students create materials suitable for print-on-demand and traditional publishing, e-books, and digital publishing. Students will also

learn to create interactive PDFs and fixed-layout EPUBs (PDFs, fixed-layout EPUBs) with slideshows, buttons, and videos.

*Prerequisite: GDDM 64 with a minimum grade of C*

Day	23352	Tue	3:00-4:15	714	KUO	08/17-12/18	OP	V01
Lab	Tue	4:20-5:35	714			08/17-12/18	OP	
Lab	Th	3:00-5:50	714			08/17-12/18	OP	

## HEALTH

**HEA 1 INTRO TO PERSONAL HEALTH 3.0 Units**

An exploration of major health issues and behaviors in the various dimensions of health (physical, emotional, intellectual/mental, social, spiritual, and environmental). Emphasis is placed on individual responsibility for personal health and the promotion of informed, positive health behaviors. Topics include psychological health, mental health, stress management, nutrition, exercise, weight management, chronic and infectious diseases, healthy relationships, sexual health, drug use and misuse, aging, and the health care system.

Day	23396	MW	9:30-10:45	1057	EVERETT	08/17-12/18	OP	V01
Day	23397	MW	11:00-12:15	1057	EVERETT	08/17-12/18	OP	V02
Day	23398	MW	2:30-3:45	1057	OLSON	08/17-12/18	OP	V03
Day	23400	TTh	9:30-10:45	PE212	SAPSFORD	08/17-12/18	OP	V04
Day	23399	TTh	11:00-12:15	PE209	SAPSFORD	08/17-12/18	OP	V05

**Web 23401 ONLINE EVERETT 08/17-12/18 OP DE1**  
*HLTH 1-DE1 is an online course. For more information, see the section title "Online Learning" in this schedule or go to <http://www.laspositascollege.edu/onlinelearning>.*

**Web 23405 ONLINE EVERETT 08/17-12/18 OP DE2**  
*HLTH 1-DE2 is an online course. For more information, see the section title "Online Learning" in this schedule or go to <http://www.laspositascollege.edu/onlinelearning>.*

**Web 23406 ONLINE EVERETT 08/17-12/18 OP DE3**  
*HLTH 1-DE3 is an online course. For more information, see the section title "Online Learning" in this schedule or go to <http://www.laspositascollege.edu/onlinelearning>.*

**Web 23407 ONLINE EVERETT 08/17-12/18 OP DE4**  
*HLTH 1-DE4 is an online course. For more information, see the section title "Online Learning" in this schedule or go to <http://www.laspositascollege.edu/onlinelearning>.*

**HEA 3 WOMEN'S HEALTH 3.0 Units**

Physiological, psychological, social, cultural, and political influences on women's health. Emphasis on diversity of women's health experiences and factors involved with both population level health outcomes and individual decision-making. Focus on empowerment for primary prevention.

Day	23408	TTh	12:30-1:45	PE209	BENNETT	08/17-12/18	OP	V01
-----	-------	-----	------------	-------	---------	-------------	----	-----

## HISTORY

**HIST 1 WESTERN CIVILIZATION TO 1600 3.0 Units**

Origin and development of civilization in the Mediterranean and its expansion into Europe-the Near East, Greece, Rome and the Middle Ages, Renaissance and the Reformation.

Eve	21088	Tue	4:00-6:50	2420	STAFF	08/17-12/18	OP	093
-----	-------	-----	-----------	------	-------	-------------	----	-----

**Web 20345 ONLINE RUTKOWSKY 08/17-12/18 OP DE1**  
*HIST 1-DE1 is an online course. For more information, see the section titled "Online Learning" in this schedule, or go to <http://www.laspositascollege.edu/onlinelearning>.*

**HIST 2 WESTERN CIVILIZATION SINCE 1600 3.0 Units**

History of the Modern Western World: Romanticism and the Industrial Revolution to the present.

Day	20490	MW	12:30-1:45	1011	STAFF	08/17-12/18	OP	V01
Day	20296	TTh	11:00-12:15	801	STAFF	08/17-12/18	OP	V02

**HIST 3 WORLD HISTORY TO 1500 3.0 Units**

Survey of the experience of all peoples with vastly different cultures

D/E	CRN	DAYS	TIMES	ROOM	INSTRUCTOR	DATES	CODES	SEC	D/E	CRN	DAYS	TIMES	ROOM	INSTRUCTOR	DATES	CODES	SEC
-----	-----	------	-------	------	------------	-------	-------	-----	-----	-----	------	-------	------	------------	-------	-------	-----

inhabiting a single globe. Emphasizes the emergence of human communities, formation of complex societies, development of major belief systems and interaction with the environment based on experience, knowledge, and technology to c. 1500.

Day 23586 MW 12:30-1:45 101 STAFF 08/17-12/18 OP V01

**HIST 4 WORLD HISTORY SINCE 1500 3.0 Units**

This course covers the experience of all the world's people from the early modern era to the present. Emphasis is upon the interaction of people with the environment based on the development of technology and conflict between traditional systems and new(er) orders. Broader forces that affect civilizations such as borderlands, exploration and travel, gender and class will be studied.

Eve 23587 Tue 4:00-6:50 2204 STAFF 08/17-12/18 OP 093

**HIST 7 US HIST.THROUGH RECONSTRUCTION 3.0 Units**

A survey of United States history from its pre-colonial, indigenous origins through the end of Reconstruction. Emphasis on (1) distinctively American patterns of political, economic, social, intellectual and geographic developments, (2) the interaction amongst and the experiences of diverse racial, ethnic and socioeconomic groups in American History, and (3) the evolution of American institutions and ideals including the U.S. Constitution, the operations of the U.S. government, and the rights and obligations of U.S. citizens under the Constitution.

Day 20026 MW 8:00-9:15 2205 STAFF 08/17-12/18 OP V01

Day 20547 MW 12:30-1:45 1057 WEMEIER 08/17-12/18 OP V02

Day 20470 MW 11:00-12:15 1011 WEMEIER 08/17-12/18 OP V03

Day 20027 MW 2:00-3:15 105 EDEN 08/17-12/18 OP V04

Day 20365 TTh 9:30-10:45 2420 ROSEN 08/17-12/18 OP V05

Day 20520 TTh 11:00-12:15 2420 VITALE 08/17-12/18 OP V06

Day 20025 TTh 2:00-3:15 2480 ROSEN 08/17-12/18 OP V07

Eve 20364 Tue 4:00-6:50 104 STEINBERG 08/17-12/18 OP 093

Eve 21566 Wed 7:00-9:50 4213 EDEN 08/17-12/18 OP 094

Eve 20491 Th 7:00-9:50 1641 VITALE 08/17-12/18 OP 095

Web 20154 ONLINE RUTKOWSKY 08/17-12/18 OP DE1

HIST 7-DE1 is an online course. For more information, see the section titled "Online Learning" in this schedule, or go to <http://www.laspositascollege.edu/onlinelearning>.

Web 20499 ONLINE HIGDON 08/17-12/18 OP DE2

HIST 7-DE2 is an online course. For more information, see the section titled "Online Learning" in this schedule, or go to <http://www.laspositascollege.edu/onlinelearning>.

Web 22481 ONLINE HIGDON 08/17-12/18 OP DE3

HIST 7-DE3 is an online course. For more information, see the section titled "Online Learning" in this schedule, or go to <http://www.laspositascollege.edu/onlinelearning>.

Web 23649 ONLINE GOUVEIA 08/17-10/09 OP DE4

HIST 7-DE4 is a FAST TRACK online course that meets from Aug 17-Oct 9. For more information, see the section titled "Online Learning" in this schedule, or go to <http://www.laspositascollege.edu/onlinelearning>.

Web 20028 ONLINE BENGIVENO 08/17-12/18 GR DE1

HIST 8-DE1 is an online course. For more information, see the section titled "Online Learning" in this schedule, or go to <http://www.laspositascollege.edu/onlinelearning>.

Web 20028 ONLINE BENGIVENO 08/17-12/18 GR DE1

HIST 8-DE1 is an online course. For more information, see the section titled "Online Learning" in this schedule, or go to <http://www.laspositascollege.edu/onlinelearning>.

**HIST 8 US HIST. POST-RECONSTRUCTION 3.0 Units**

History of the United States from the post-Civil War period to the present. Emphasis on (1) distinctively American patterns of political, economic, social, intellectual and geographic developments, (2) the framework of California state and local government, and the relationship between state/local government and the federal government.

Day 20303 MW 8:00-9:15 2480 HIGDON 08/17-12/18 GR V01

Day 20489 MW 9:30-10:45 2480 ROSEN 08/17-12/18 GR V02

Day 20139 MW 11:00-12:15 801 STAFF 08/17-12/18 GR V03

Day 20356 TTh 9:30-10:45 2480 BENGIVENO 08/17-12/18 GR V04

Day 20029 TTh 11:00-12:15 103 ROSEN 08/17-12/18 GR V05

Day 20471 TTh 12:30-1:45 2420 STAFF 08/17-12/18 GR V06

Day 21089 MW 2:30-3:45 104 STAFF 08/17-12/18 GR V07

Eve 20492 Tue 7:00-9:50 2420 STAFF 08/17-12/18 GR 093

Web 20028 ONLINE BENGIVENO 08/17-12/18 GR DE1

HIST 8-DE1 is an online course. For more information, see the section titled "Online Learning" in this schedule, or go to <http://www.laspositascollege.edu/onlinelearning>.

Web 20028 ONLINE BENGIVENO 08/17-12/18 GR DE1

HIST 8-DE1 is an online course. For more information, see the section titled "Online Learning" in this schedule, or go to <http://www.laspositascollege.edu/onlinelearning>.

Web 20500 ONLINE BENGIVENO 08/17-12/18 GR DE2

HIST 8-DE2 is an online course. For more information, see the section titled "Online Learning" in this schedule, or go to <http://www.laspositascollege.edu/onlinelearning>.

Web 22482 ONLINE BENGIVENO 08/17-12/18 GR DE3

HIST 8-DE3 is an online course. For more information, see the section titled "Online Learning" in this schedule, or go to <http://www.laspositascollege.edu/onlinelearning>.

Web 23650 ONLINE GOUVEIA 10/12-12/11 GR LO1

HIST 8-LO1 is a FAST TRACK online course that meets from Oct 12-Dec 11. For more information, see the section titled "Online Learning" in this schedule, or go to <http://www.laspositascollege.edu/onlinelearning>.

Web 23650 ONLINE GOUVEIA 10/12-12/11 GR LO1

HIST 8-LO1 is a FAST TRACK online course that meets from Oct 12-Dec 11. For more information, see the section titled "Online Learning" in this schedule, or go to <http://www.laspositascollege.edu/onlinelearning>.

**HIST 14 AMERICAN CULTURES OF CALI. 3.0 Units**

The history of California from its pre-contact societies to the present, with particular attention to the following periods: Spanish exploration and colonization; the Mexican Revolution; American conquest and the Gold Rush; the Progressive Era; the Great Depression and World War II; and the social movements of the 1960's. In addition to exploring the major political, economic, technological, social, cultural, and environmental developments that have shaped California's history, this course will focus on the distinct and overlapping experiences of the state's Native American, Latino American, African American, Asian American, and European American populations.

Day 20171 MW 12:30-1:45 2480 RUTKOWSKY 08/17-12/18 GR V01

**HIST 25 AMERICAN INDIAN HISTORY 3.0 Units**

Historical survey of American Indians in the United States from earliest times to the present day. Emphasis on Indian societies and cultures, Indian relations with predominant cultures, Indian movement for self-preservation and historical background necessary to understand contemporary problems of the Indians. Emphasis on the Indians of California and the West.

Day 20370 MW 2:00-3:15 2490 PEREZ 08/17-12/18 GR V01

**HIST 28 HISTORY OF AMERICAN WEST 3.0 Units**

A history of the trans-Mississippi West of the United States. Emphasis will be placed on Native American history and cultures, European and Anglo-American frontiers, expansion of the United States in the 19th century, and the interaction of Native American, European American, Asian American, African American and Hispanic American peoples, and the significance of the West in American history.

Day 20143 MW 11:00-12:15 2490 ROSEN 08/17-12/18 GR V01

**HIST 32 U.S. WOMEN'S HISTORY 3.0 Units**

A survey of United States women's history from its indigenous origins through the present. This course emphasizes the interaction and experiences of diverse racial/ethnic groups that include at least three of the following groups: African-Americans, Chicana/Latina Americans, Asian Americans, European Americans, and Native Americans. Special areas of focus include women's role in the political, economic, social, and geographic development of the United States.

Day 20376 TTh 12:30-1:45 2480 BENGIVENO 08/17-12/18 GR V01

Eve 20305 Wed 4:00-6:50 2480 VITALE 08/17-12/18 GR 093

## HORTICULTURE

**HORT 50 INTRODUCTION TO HORTICULTURE 3.0 Units**

Botanical nomenclature, anatomy and physiology, plant growth, and development are presented. Soils, media, fertilizers, and watering methods are discussed. Preliminary Landscape design, installation and maintenance is included. Current practices of plant propagation, plant disorders and pest management, and 21st Century horticulture trends will be explored. (8 hours of lab to be scheduled on Saturdays which may include one or more field trips).

D/E	CRN	DAYS	TIMES	ROOM	INSTRUCTOR	DATES	CODES	SEC	D/E	CRN	DAYS	TIMES	ROOM	INSTRUCTOR	DATES	CODES	SEC
-----	-----	------	-------	------	------------	-------	-------	-----	-----	-----	------	-------	------	------------	-------	-------	-----

Eve	21371	Tue	1:00-3:20	1814	STAFF	08/17-12/18	OP	093
Lab		Th	1:00-2:20	YARD		08/17-12/18	OP	

HORT 50-V01 has two Saturday meetings: September 9, 10am-4pm and October 31, 10am-2pm. Location to be announced.

**HORT 51 FALL PLANT MATERIAL ID 3.0 Units**

Identification of landscape and garden plants will be categorized. Growth habit, climatic adaptation, ornamental value, maintenance and care of trees, shrubs, vines will be studied, with the focus on deciduous trees and fall flowering plants. (8 hours of lab to be scheduled on Saturdays which may include one or more field trips).

Eve	23560	Tue	6:00-8:20	802	STAFF	08/17-12/18	OP	093
Lab		Tue	8:30-9:45	802		08/17-12/18	OP	

HORT 51 has two Saturday meetings: September 26, 10am-4pm, and November 14, 10am-2pm. Location to be announced.

**HORT 54 LANDSCAPE AND VINEYARD SOILS 3.0 Units**

This course is a study of the physical, chemical and biological properties of soil. Areas of study will include: soil classification, derivation, uses, function and management including erosion, moisture retention, structure, cultivation, organic matter and microbiology. There is a focus on vineyard and landscape planting media, soil substitutes, hydroponics, and amendments to improve and promote plant growth which includes plant and vine nutrition, essential nutrients required for plant growth and healthy development. There will be instruction covering materials used for fertilizers which includes material origins, use, and application; and irrigation systems which will cover materials required for basic irrigation systems used in vineyard and landscape settings. Students that take VWT 12 may not receive credit for HORT 54.

Eve	23559	Wed	6:00-8:20	802	STAFF	08/17-12/18	GR	093
Lab		Wed	8:30-9:45	802		08/17-12/18	GR	

HORT 54 has two Saturday meetings: September 12, 10am-4pm, and November 7, 10am-2pm. Location to be announced.

## HUMANITIES

**HUMN 2 INTRODUCTION TO FILM STUDIES 3.0 Units**

Introduction to film aesthetics, styles, and devices, as well as film theory and critical approaches to film analysis. Overview of film history, in addition to film production, technology, and distribution. Emphasis on diverse responses to the art form of cinema and its impact on contemporary culture.

STUDENTS MAY TAKE HUMANITIES COURSES IN ANY ORDER.

Day	23350	MW	9:30-10:45	2420	WING BROOKS	08/17-12/18	OP	V01
-----	-------	----	------------	------	-------------	-------------	----	-----

**HUMN 3 INTRODUCTION TO HUMANITIES 3.0 Units**

Dramatic literature, the theater including filmic art, an introduction to the experience and appreciation of works of musical and visual art and lyric poetry.

STUDENTS MAY TAKE HUMANITIES COURSES IN ANY ORDER.

Day	20100	MW	12:30-1:45	2460	WING BROOKS	08/17-12/18	OP	V01
Day	21853	TTh	3:30-4:45	1053	WING BROOKS	08/17-12/18	OP	V02

**HUMN 4 GLOBAL CINEMAS 4.0 Units**

Global cinema traditions analyzed through historical, political, cultural, commercial, and artistic perspectives. Screenings and interpretation of representative films from a variety of national and cultural film traditions from around the world, including films from Latin American, U.S., Asian, European, African, and Middle Eastern contexts.

STUDENTS MAY TAKE HUMANITIES COURSES IN ANY ORDER.

Day	22352	Tue	12:30-3:20	1051	WING BROOKS	08/17-12/18	GR	V01
Lab		Th	12:30-3:20	1051		08/17-12/18	GR	

**HUMN 10 AMERICAN ARTS AND IDEAS 3.0 Units**

Humanities in the United States. Explored through major works of literature, painting, sculpture, architecture, film, music, philosophy, technology, religion, political and social institutions that reflect the values and meanings of the American cultural experience. Particular attention paid to the experience and contributions of various culture groups (African Americans, Asian-Americans, European-Americans, American Indians, and Latino Americans).

STUDENTS MAY TAKE HUMANITIES COURSES IN ANY ORDER.

Web	20145	ONLINE	CHIOLIS	08/17-12/18	OP	DEI
-----	-------	--------	---------	-------------	----	-----

HUMN 10-DEI is an online course. For more information, see the section titled "Online Learning," or go to <http://www.laspositascollege.edu/onlinelearning>.

**HUMN 11 CULTURE AND THE ARTS I: 3.0 Units**

A survey of the artistic and intellectual accomplishments of human cultures from the Ancient to Early Renaissance Eras. Emphasis is on the study of ancient to medieval painting, sculpture, architecture, music, literature, theater, religion, and philosophy from both Western and non-Western cultures.

STUDENTS MAY TAKE HUMANITIES COURSES IN ANY ORDER.

Eve	23349	Tue	7:00-9:50	2460	WING BROOKS	08/17-12/18	OP	093
-----	-------	-----	-----------	------	-------------	-------------	----	-----

**HUMN 28 WORLD MYTHOLOGY 3.0 Units**

Introduction to world mythology, including classical mythology, and the mythic themes recurring in literature, the visual arts, and music. Introduction to the major theories used to evaluate mythology. Exploration of myths about creation, destruction, gods, humans, heroes, tricksters, as well as their origins, variation, historical development, and full expression in ancient times and continued presence in the arts.

STUDENTS MAY TAKE HUMANITIES COURSES IN ANY ORDER.

Day	20144	MW	11:00-12:15	2460	CHIOLIS	08/17-12/18	OP	V01
-----	-------	----	-------------	------	---------	-------------	----	-----

Web	22154	ONLINE	CHIOLIS	08/17-12/18	OP	DEI
-----	-------	--------	---------	-------------	----	-----

HUMN 28-DEI is an online course. For more information, see the section titled "Online Learning," or go to <http://www.laspositascollege.edu/onlinelearning>.

## INTERIOR DESIGN

**INTD 5 PRINCIPLES OF INTERIOR DESIGN 3.0 Units**

Elements and principles of design as they apply to interior design. Emphasis on the use of color and texture in the selection of home furnishings.

Eve	22523	Mon	5:30-7:20	802	HORNBECK	08/17-12/18	OP	093
Lab		Mon	7:30-10:20	802		08/17-12/18	OP	

**INTD 25 MATERIALS AND RESOURCES 3.0 Units**

Survey of residential and commercial interior furnishings with attention to product knowledge of furniture, textiles, ceramics, glass, metals, plastics and composite materials. Skills needed to perform related activities.

Eve	23551	Tue	6:00-8:50	1053	ROMANO	08/17-12/18	OP	093
-----	-------	-----	-----------	------	--------	-------------	----	-----

**INTD 40 COMPUTER AIDED DESIGN 3.0 Units**

Introduction to basic techniques in computer aided design for interior and exterior design, with emphasis on user terminology and hands-on learning. How to set up drawings, dimensioning systems appropriate to architecture. Floor plans, landscapes, details, drawings and other techniques using the computer. Students who have completed or are enrolled in HORT 73 may not receive credit.

Eve	23337	Wed	5:30-7:20	1002	HORNBECK	08/17-12/18	OP	093
Lab		Wed	7:30-10:20	1002		08/17-12/18	OP	



## KINESIOLOGY - ACTIVITY COURSES -

**KIN ARI ARCHERY I-BEGINNING ARCHERY 1.0 Units**

Covers the fundamental techniques of archery, terminology, accessories, and history of the sport. Students will acquire knowledge in the safe use and proper care of equipment, along with range safety. Practice and class competitions are provided to enhance skill development.

Day 23358 MW 11:00-12:15 TRACK CRAIGHEAD 08/17-12/18 OP V01

**KIN BD1 BADMINTON I 1.0 Units**

Introduction to the fundamental techniques of badminton (for example, the forehand and backhand serve, service return, and lob shots). Course will also include grip, footwork, rules, equipment and court dimensions.

Day 21377 MW 9:30-10:45 PE101 SAPSFORD 08/17-12/18 GR V01

**KIN BD2 BADMINTON 2 1.0 Units**

The techniques of badminton for the intermediate player will be reviewed and performed. This course will also incorporate match analysis for singles and doubles play.

*Strongly Recommended: KIN BD1 with a minimum grade of C*

Day 21378 MW 9:30-10:45 PE101 SAPSFORD 08/17-12/18 GR V01

**KIN BD3 BADMINTON 3 1.0 Units**

Badminton strategy for singles and doubles play. The body's physiological responses to singles and doubles play will be examined.

*Strongly Recommended: KIN BD2 with a minimum grade of C*

Day 22143 MW 9:30-10:45 PE101 SAPSFORD 08/17-12/18 GR V01

**KIN BK1 BASKETBALL I 1.0 Units**

This multi-level course is designed to provide the student with an opportunity to development the basic skills and understanding of basketball. Skills such as dribbling, passing, shooting, defensive and offensive strategies will be presented and practiced. Team play and sportsmanship are important priorities that are emphasized in this class.

Day 22546 MW 11:00-12:15 PE101 GIACOMAZZI 08/17-12/18 OP V01

Day 22547 TTh 11:00-12:15 PE101 GIACOMAZZI 08/17-12/18 OP V02

**KIN BK2 BASKETBALL 2 1.0 Units**

This course is designed to provide the student with an opportunity to develop the skills and understanding of passing, shooting, defensive and offensive strategies will be presented and practiced. Team play and sportsmanship are important priorities that are emphasized in this class.

*Strongly Recommended: KIN BK1 with a minimum grade of C*

Day 22548 MW 11:00-12:15 PE101 GIACOMAZZI 08/17-12/18 OP V01

Day 22549 TTh 11:00-12:15 PE101 GIACOMAZZI 08/17-12/18 OP V02

**KIN BL1 BOWLING I 1.0 Units**

This course is designed to give the student the opportunity to learn the basic skills, terminology, and etiquette of bowling and be able to participate in a league type bowling program using off-campus bowling centers.

Day 22533 Fri 9:00-11:50 tba GIACOMAZZI 08/17-12/18 OP V01

*Meets at the Granada Bowling Alley (1620 Railroad, Livermore, CA).*

*Students enrolled in Bowling will be assessed an additional \$10 each week to Granada Bowl for the use of bowling shoes, bowling balls and the bowling lanes.*

**KIN BL2 BOWLING 2 1.0 Units**

This course teaches the fundamental skills of bowling with emphasis on form, terminology and scoring. The student will have the opportunity for class competition. The class will be conducted at an off campus bowling establishment. Facility use

fee required. To be paid throughout the semester at the facility.

*Strongly Recommended: KIN BL1 with a minimum grade of C*

Day 23372 Fri 9:00-11:50 tba GIACOMAZZI 08/17-12/18 OP V01

*Meets at the Granada Bowling Alley (1620 Railroad, Livermore, CA).*

*Students enrolled in Bowling will be assessed an additional \$10 each week to Granada Bowl for the use of bowling shoes, bowling balls and the bowling lanes.*

**KIN BL3 BOWLING 3 1.0 Units**

This course teaches intermediate skills of bowling with emphasis on etiquette, terminology and equipment. The student will have the opportunity for class competition. The class will be conducted at an off campus bowling establishment. Facility use fee required. To be paid throughout the semester at the facility.

*Strongly Recommended: KIN BL2 with a minimum grade of C*

Day 23373 Fri 9:00-11:50 tba GIACOMAZZI 08/17-12/18 OP V01

*Meets at the Granada Bowling Alley (1620 Railroad, Livermore, CA).*

*Students enrolled in Bowling will be assessed an additional \$10 each week to Granada Bowl for the use of bowling shoes, bowling balls and the bowling lanes.*

**KIN BL4 BOWLING 4 1.0 Units**

This course teaches advanced skills of bowling with emphasis on form, rules, and etiquette. The student will have the opportunity for class competition. The class will be conducted at an off campus bowling establishment. Facility use fee required. To be paid throughout the semester at the facility.

*Strongly Recommended: KIN BL3 with a minimum grade of C*

Day 23374 Fri 9:00-11:50 tba GIACOMAZZI 08/17-12/18 OP V01

*Meets at the Granada Bowling Alley (1620 Railroad, Livermore, CA).*

*Students enrolled in Bowling will be assessed an additional \$10 each week to Granada Bowl for the use of bowling shoes, bowling balls and the bowling lanes.*

**KIN CTI CIRCUIT TRAINING I 1.0 Units**

This course will increase muscular endurance/ strength as well as cardiovascular conditioning through the use of strength and cardio circuits utilizing a wide variety of equipment such as treadmills, bosu balls, battling ropes, free weights and sandbags.

Day 23375 MW 11:00-12:15 PE202 CUMBO 08/17-12/18 OP V01

**KIN CYCL1 CYCLING I 1.0 Units**

This course is an introduction to Physical Fitness through indoor cycling. The cycling program is an individually paced, noncompetitive, group training program designed for all riders and all fitness levels. Cycling is an exercise performed on a stationary bicycle and is performed to music. The course is open to anyone who is interested in developing muscular endurance, improved cardio-respiratory endurance and body composition.

Day 21905 MW 9:30-10:45 PE143 CUMBO 08/17-12/18 OP V01

**KIN CYCL2 CYCLING 2 1.0 Units**

This course is the second in a series of Indoor Cycling courses. Emphasis is based on beginning to intermediate cycling techniques, heart rate calculations, fitness evaluations, and cardiovascular training and program design. Beginning level principles of physiology are explored including how to train to elicit a desired physiological response. Utilizing a variety of equipment student will develop core endurance and strength. This class is designed for students interested in aerobic fitness improvement through indoor cycling as well as Kinesiology majors.

Day 22519 MW 9:30-10:45 PE143 CUMBO 08/17-12/18 OP V01

**KIN CYCL3 CYCLING 3 1.0 Units**

This is an advanced course of fitness through indoor cycling. The cycling program is an individually paced, group training program. Cycling is an exercise performed on a stationary bicycle and is performed usually to music. This course is designed to build upon the base levels of fitness developed in Cycling 1 and Cycling 2 courses while increasing the development cardio-

D/E	CRN	DAYS	TIMES	ROOM	INSTRUCTOR	DATES	CODES	SEC	D/E	CRN	DAYS	TIMES	ROOM	INSTRUCTOR	DATES	CODES	SEC
-----	-----	------	-------	------	------------	-------	-------	-----	-----	-----	------	-------	------	------------	-------	-------	-----

respiratory endurance and overall body strength.

Day 23569 MW 9:30-10:45 PE143 CUMBO 08/17-12/18 OP V01

**KIN DVI SPRINGBOARD DIVING 1.0 Units**

This course is designed to give students an introduction into the sport of Springboard Diving. Instruction will include 1 meter and 3 meter springboards, and the 5 types of dives (forward, backward, reverse, inward, twisting).

*Strongly Recommended: KIN SW1 with a minimum grade of C*

Day 21391 MW 2:30-3:45 POOL2 CRAIGHEAD 08/17-12/18 OP V01

**KIN ETD1 ESKRIMA-TENIO DECUERDAS I 1.0 Units**

An introductory course of the Filipino martial art system of Tenio DeCuerdas Eskrima: a complete system combining 18 styles of eskrima, kali, and arnis. The course will focus on history of the system, basic movement and striking, increasing hand speed, defenses against daga, daga versus daga, and how to receive techniques safely.

Day 23382 TTh 9:30-10:45 PE213 KUTIL 08/17-12/18 OP V01

**KIN ETD2 ESKRIMA-TENIO DECUERDAS 2 1.0 Units**

A second semester course of the Filipino martial art system of Tenio DeCuerdas Eskrima. The course will focus on history of the head of the system, concepts of rhythms and beats, proper footwork, defenses against daga, daga versus daga, and how to receive techniques safely.

*Strongly Recommended: KIN ETD 1 with a minimum grade of C*

Day 23383 TTh 9:30-10:45 PE213 KUTIL 08/17-12/18 OP V01

**KIN ETD3 ESKRIMA-TENIO DECUERDAS 3 1.0 Units**

A third semester course of the Filipino martial art system of Tenio DeCuerdas Eskrima. The course will focus on concepts of sectoring, advanced footwork, trapping and locking, intermediate daga versus daga concepts, and how to safely receive advanced techniques.

*Strongly Recommended: KIN ETD2 with a minimum grade of C*

Day 23384 TTh 9:30-10:45 PE213 KUTIL 08/17-12/18 OP V01

**KIN ETD4 ESKRIMA-TENIO DECUERDAS 4 1.0 Units**

A fourth semester course of the Filipino martial art system of Tenio DeCuerdas Eskrima. The course will focus on concepts of the third arm, proper leg evasions, and advanced open hand and daga versus daga techniques.

*Strongly Recommended: KIN ETD3 with a minimum grade of C*

Day 23385 TTh 9:30-10:45 PE213 KUTIL 08/17-12/18 OP V01

**KIN FJW1 FITNESS JOG WALK I 1.0 Units**

This course is an introduction to a cardiovascular activity that will benefit anyone, regardless of age or fitness level. Individualized walking programs are designed to promote general overall fitness. Jogging and walking skills will be improved through the practice of effective and technically correct movement patterns.

Day 23376 MW 12:30-1:45 TRACK CUMBO 08/17-12/18 OP V01

**KIN FJW2 FITNESS JOG WALK 2 1.0 Units**

This is a progressive continuation course to Fitness Jog Walk 1. The proper technique and fundamental principles of training for this activity will be reviewed. Basic exercise physiology will be discussed. The student will be given training regimens to increase their pace, speed, distance and endurance for middle distances i.e.) 5K-10K. Nutritional requirements and dietary advice will be presented. Training logs will be used to document performance. Pre and post walk/jog assessments will be done to establish a baseline of conditioning and reflect increases in performance.

*Strongly Recommended: KIN FJW1 with a minimum grade of C*

Day 23377 MW 12:30-1:45 TRACK CUMBO 08/17-12/18 OP V01

**KIN FL1 FLAG FOOTBALL I 1.0 Units**

This is an introductory course designed to give the student an opportunity to review and practice the basic fundamental skills relative to the game of flag football.

Eve 21568 TTh 6:00-8:50 SYNTH CRAIGHEAD 08/17-12/18 OP 093

**KIN FL2 FLAG FOOTBALL 2 1.0 Units**

This is an intermediate course designed to teach students the principles of short-field flag football. Instruction will include: rules, regulations, and concepts of play for 4-on-4 and 5-on-5 flag football.

*Strongly Recommended: KIN FL1 with a minimum grade of C*

Eve 21906 TTh 6:00-8:50 SYNTH CRAIGHEAD 08/17-12/18 OP 093

**KIN FL3 FLAG FOOTBALL 3 1.0 Units**

This course is a continuation course for Flag Football 2. Review of the rules and regulations will be included. This level course will provide instruction on more complex offensive tactics, defensive strategies and concepts of play for 7-on-7 and 8-on-8 flag football. Students will receive instruction on the principles of long-field flag football.

*Strongly Recommended: KIN FL1 and KIN FL2 with a minimum grade of C*

Eve 21730 TTh 6:00-8:50 SYNTH CRAIGHEAD 08/17-12/18 OP 093

**KIN FNF1 FENCING-FOIL I 1.0 Units**

This course is an introduction to foil. Emphasis is on the technical and tactical skills unique to foil fencing. Basic skills include the development of correct footwork, precise blade action, and sound tactical decisions.

Day 22545 TTh 2:00-3:15 PE102 RHEINHEIMER 08/17-12/18 OP V01

**KIN FNF2 FENCING-FOIL 2 1.0 Units**

This is a second semester course for foil. Emphasis is establishing consistent technical and tactical skills unique to foil fencing. There will be introduction to use of electrical equipment.

*Strongly Recommended: KIN FNF1 with a minimum grade of C; Footwork movements (advance, retreat, and lunge) must be correct and controlled.*

Day 23173 TTh 2:00-3:15 PE102 RHEINHEIMER 08/17-12/18 OP V01

**KIN GBW1 GUTS AND BUTTS WORKOUT I 1.0 Units**

This course will focus on improving muscle strength and endurance of the abdominals, gluteals, quadriceps, and hamstrings. Functional exercises such as squats, lunges and planks will be utilized.

Day 23378 TTh 9:30-10:45 PE143 CUMBO 08/17-12/18 OP V01

**KIN GBW2 GUTS AND BUTTS WORKOUT 2 1.0 Units**

This course will focus on strengthening the core and glute muscles. Students will learn how to use equipment such as steps, TRX, swiss balls, and dumbbells to increase exercise intensity.

*Strongly Recommended: KIN GBW1 with a minimum grade of C*

Day 23379 TTh 9:30-10:45 PE143 CUMBO 08/17-12/18 OP V01

**KIN GF1 GOLF I 1.0 Units**

This is an introductory course to the sport of golf. The course will include the rules, regulations and etiquette of golf, the fundamental swing skills for the long and short game and appropriate club selection. Beg-Intermediate and Intermediate players can benefit from the basic instruction to improve their skill set through the art of practice on the range. The course will be offered at a local golf range and student will be charged a minimal fee for bucket of balls to be used.

*Students enrolled in Golf will be assessed an additional fee by Las Positas Golf Club range balls and course fees.*

Day 21914 MW 11:00-12:15 tba\* SAPSFORD 08/17-12/18 OP V01

\*Meets at the Las Positas Golf Course, 917 Clubhouse Dr, Livermore, CA 94551

**KIN GF2 GOLF 2 1.0 Units**

For students who possess the rudimentary skills of golf and aim to improve those abilities. Students will hone their putting, short game, mid-long iron play and driving capabilities. The course is offered at a local driving range who will charge a minimal fee for practice balls.

*Students enrolled in Golf will be assessed an additional fee by Las Positas Golf Club range balls and course fees.*

Day 21924 MW 11:00-12:15 tba\* SAPSFORD 08/17-12/18 OP V01  
\*Meets at the Las Positas Golf Course, 917 Clubhouse Dr, Livermore, CA 94551

**KIN GF3 GOLF 3 1.0 Units**

Advanced technical aspects of golf match play will be included. Additionally, psychological skills for the elite golfer will be incorporated including visualization, pre-shot routines, relaxation methods and self-talk strategies.

*Students enrolled in Golf will be assessed an additional fee by Las Positas Golf Club range balls and course fees.*

Day 22144 MW 11:00-12:15 tba\* SAPSFORD 08/17-12/18 OP V01  
\*Meets at the Las Positas Golf Course, 917 Clubhouse Dr, Livermore, CA 94551

**KIN GF4 GOLF 4 1.0 Units**

This course will provide elite golfers with a detailed technical appreciation of the game. Furthermore, a psychological analysis of self-efficacy, arousal regulation, concentration and focus will be applied to golf.

*Students enrolled in Golf will be assessed an additional fee by Las Positas Golf Club range balls and course fees.*

Day 23380 MW 11:00-12:15 tba\* SAPSFORD 08/17-12/18 OP V01  
\*Meets at the Las Positas Golf Course, 917 Clubhouse Dr, Livermore, CA 94551

**KIN JDR1 JUJUTSU-DANZAN RYU 1 1.0 Units**

An introductory course of the martial art system of Danzan Ryu Jujutsu: a hybrid of Japanese Jujitsu, Judo, and Kenpo, and the Hawaiian art of Lua. Techniques are not strength based and primarily involve the use of joint and nerve manipulation, precision striking, and throwing to subdue an attacker. This course will focus on history of the system and founder, basic movement, escapes, trip throws, strikes, and how to receive techniques safely.

Day 23386 TTh 11:00-12:15 PE213 KUTIL 08/17-12/18 OP V01

**KIN JDR2 JUJUTSU-DANZAN RYU 2 1.0 Units**

A second semester course of the martial art system of Danzan Ryu Jujutsu. This course will focus on history throws, sweep throws, and how to receive techniques safely.

*Strongly Recommended: KIN JDR1 with a minimum grade of C*

Day 23387 TTh 11:00-12:15 PE213 KUTIL 08/17-12/18 OP V01

**KIN JDR3 JUJUTSU-DANZAN RYU 3 1.0 Units**

A third semester course of the martial art system of Danzan Ryu Jujutsu. This course will focus on ukemi, escapes, locks, sweep throws, reap throws, hip throws, pins, striking combinations, and how to receive techniques safely.

*Strongly Recommended: KIN JDR2 with a minimum grade of C*

Day 23388 TTh 11:00-12:15 PE213 KUTIL 08/17-12/18 OP V01

**KIN JDR4 JUJUTSU-DANZAN RYU 4 1.0 Units**

A fourth semester course of the martial art system of Danzan Ryu Jujutsu. This course will focus on ukemi, escapes, locks, constrictions, hip throws, drop throws, and how to receive techniques safely.

*Strongly Recommended: KIN JDR3 with a minimum grade of C*

Day 23389 TTh 11:00-12:15 tba KUTIL 08/17-12/18 OP V01

**KIN PF PERSONAL FITNESS 1.0 Units**

An independent, self-paced, personal activity program planned and implemented in conjunction with student goals. Based

on goals and results of a fitness assessment and health risk appraisal, an individualized program is developed through personal counseling. Programs can include a physical assessment profile, a health risk appraisal, an individualized exercise/activity program, nutrition counseling, health/wellness education, and behavior modification. The student is required to meet with the instructor on campus at the beginning and end of the semester. This is a hybrid class in which the students are assessed and there is a lecture component in the beginning of the class. At the end of the term the students will be reassessed and there will be individual instruction, handouts and another face-to-face lecture.

Web 21076 ONLINE / HYBRID SAPSFORD 08/17-12/18 OP HD1  
*KIN-PF-HD1 is a HYBRID course. All meetings will be online, EXCEPT on the following dates when students will meet on campus: Friday, Aug. 21st from 6pm-7:30pm. Also, the post-fitness assessment will be held on campus, on Friday, Dec. 11th from 6pm-7pm in Room PE 209. Students must log into Canvas on Monday, August 17th for directions and to check in with the instructor online. For more information, see the section titled "Online Learning" in this schedule, or go to <http://www.laspositascollege.edu/onlinelearning>.*

**KIN PL1 PILATES 1 1.0 Units**

This course is an introduction to the Pilates Method of body conditioning. This course presents a system that helps build flexibility and long lean muscles as well as strength and endurance in the legs, abdominals, arms, hips and back. Strong emphasis is placed on spinal and pelvic alignment.

Day 21379 MW 8:00-9:30 PE213 CUMBO 08/17-12/18 OP V01

**KIN PL2 PILATES 2 1.0 Units**

This Kinesiology course is continued study of the Pilates Method. The student will learn the principle of neutral spine, how to use Pilates props to provide variation and increased difficulty, and create level 2 exercise routines to enhance overall fitness. The concept of "complete coordination of the body, mind and spirit" will be experienced.

*Strongly recommended: KIN PL1 with a minimum grade of C*

Day 21684 MW 8:00-9:30 PE213 CUMBO 08/17-12/18 OP V01

**KIN S11 SOCCER-INDOOR 1 1.0 Units**

Students will practice the skills of kicking, passing, trapping and heading necessary for controlled indoor soccer play. Students will discuss and employ basic offensive and defensive strategies and tactics; and put into practice the rules governing soccer.

Day 22917 TTh 9:30-10:45 PE101 CUMBO 08/17-12/18 OP V01

**KIN S12 SOCCER-INDOOR 2 1.0 Units**

A second semester course for outdoor soccer. This course will focus on the defensive and offensive tactics of the sport. Students will use the skills covered in Indoor Soccer 1 (S11) while participating in both small sided and full sided play.

*Strongly Recommended: KIN S11 with a minimum grade of C*

Day 22918 TTh 9:30-10:45 PE101 CUMBO 08/17-12/18 OP V01

**KIN SW1 SWIMMING 1 1.0 Units**

An introductory course designed to teach basic swimming skills and is designed for non-swimmers who cannot complete one length of the pool (25 yards). Emphasis will be on the physical and psychological adjustment to the water as well as basic swimming stroke technique. Students will also learn aquatics safety methods.

Day 21570 TTh 11:00-12:15 POOLI BENNETT 08/17-12/18 OP V01

**KIN SW2 SWIMMING 2 1.0 Units**

This is a beginning level course designed to teach fundamental swimming skills. Emphasis will be on developing basic swimming techniques for the freestyle and backstroke, and include an introduction to breaststroke, butterfly, and sidestroke. Students will also learn aquatic safety methods.

*Strongly recommended: KIN SW1 with a minimum grade of C*



D/E	CRN	DAYS	TIMES	ROOM	INSTRUCTOR	DATES	CODES	SEC	D/E	CRN	DAYS	TIMES	ROOM	INSTRUCTOR	DATES	CODES	SEC
-----	-----	------	-------	------	------------	-------	-------	-----	-----	-----	------	-------	------	------------	-------	-------	-----

Day 21571 TTh 11:00-12:15 POOLI BENNETT 08/17-12/18 OP V01

**KIN SW3 SWIMMING 3 1.0 Units**

This is an Intermediate Swimming course. Instruction includes refining the competitive strokes (freestyle, backstroke, butterfly, breaststroke), the introduction of the individual medley, and competitive turns for each stroke.

*Strongly recommended: KIN SW2 (completed with a grade of "C" or better).*

Day 22145 TTh 11:00-12:15 POOLI BENNETT 08/17-12/18 OP V01

**KIN SWF1 SWIMMING FOR FITNESS I 1.0 Units**

This course is designed to introduce students to conditioning for swimming. This is a broad level course that will utilize a variety of strokes to increase cardiovascular fitness, as well as introduce the students to different training methodologies.

*Strongly recommended: KIN SW2.*

Day 21907 MW 11:00-12:15 POOLI BENNETT 08/17-12/18 OP V01

**KIN SWF2 SWIMMING FOR FITNESS 2 1.0 Units**

This is an intermediate level swim fitness course with an emphasis in sprint training. This course will teach the student about the different aspects of sprint training as they relate to different distances (50 and 100 yards/meters). Instruction will also include sprint training for each of the competitive strokes (backstroke, breaststroke, and butterfly).

*Strongly Recommended: KIN SWF1, KIN SW3*

Day 21908 MW 11:00-12:15 POOLI BENNETT 08/17-12/18 OP V01

**KIN SWF3 SWIMMING FOR FITNESS 3 1.0 Units**

This is an intermediate level swim fitness course with an emphasis in middle distance training. This course will teach the student about the different aspects of middle distance training for freestyle as they relate to specific race distances: 200, 400, and 500. Instruction will also focus on the 200 & 400 Individual Medley and the 200's of the strokes (backstroke, breaststroke, and butterfly).

*Strongly Recommended: KIN SWF1 and KIN SW3*

Day 21909 MW 11:00-12:15 POOLI BENNETT 08/17-12/18 OP V01

**KIN SWF4 SWIMMING FOR FITNESS 4 1.0 Units**

This is an intermediate level swim fitness course with an emphasis in distance training. This course will teach the student about the different aspects of distance training for freestyle as they relate to specific race distances: 800/1500 meters and 1000/1650 yards. Instruction will also include an introduction to open water swimming techniques and strategies.

*Strongly Recommended: KIN SWF1 and KIN SW3*

Day 22146 MW 11:00-12:15 POOLI BENNETT 08/17-12/18 OP V01

**KIN VB1 VOLLEYBALL BEGINNING 1.0 Units**

Provides instruction on the individual and team skills and strategies of volleyball.

Day 21573 TTh 8:00-9:15 PE101 SAPSFORD 08/17-12/18 OP V01

**KIN VB2 VOLLEYBALL INTERMEDIATE 1.0 Units**

This is a course designed and developed for the intermediate level volleyball player. It is a continuation of beginning volleyball with an emphasis in executing the fundamental skills and techniques of power volleyball at a higher level. This course differs from beginning volleyball in that set patterns and systems of offense and defense are used in a team strategy.

*Strongly Recommended: KIN VB1 with a minimum grade of C*

*BEFORE ENROLLING student should have proficiency in the skills of passing and setting.*

Day 21392 TTh 8:00-9:15 PE101 SAPSFORD 08/17-12/18 OP V01

**KIN VB3 VOLLEYBALL ADVANCED 1.0 Units**

Advanced techniques of volleyball with emphasis on competitive

play.

*Strongly Recommended: KIN VB2 with a minimum grade of C*

Day 22148 TTh 8:00-9:15 PE101 SAPSFORD 08/17-12/18 OP V01

**KIN WT1 WEIGHT TRAINING I 1.0 Units**

This course provides an introduction to weight training. Students will learn how to improve muscle strength and muscle endurance through the correct application of basic weight training principles.

Day 21574 MW 9:30-10:45 PE202 GIACOMAZZI 08/17-12/18 OP V01

Day 21575 TTh 9:30-10:45 PE202 GIACOMAZZI 08/17-12/18 OP V02

Day 21576 TTh 12:30-1:45 PE202 OLSON 08/17-12/18 OP V03

Day 21731 MW 12:30-1:45 PE202 YOON 08/17-12/18 OP V04

Day 23279 By Arr 6.7 Hrs/Wk PE202 CRAIGHEAD 10/12-12/11 OP FT2

*KIN WT1-FT2 is a Fast Track course that meets from Oct 12-Dec 11. Students are able to attend any of the sessions and must meet for the required time of 54 hours over the course of the term. The class will meet on following dates and times: MTWThF 7:30-8:30am, MTTh 2:00-4:30pm, W 2:00-3:00pm*

Eve 21567 MW 5:30-6:45 PE202 PIERSON 08/17-12/18 OP 093

**KIN WT2 WEIGHT TRAINING 2 1.0 Units**

Weight Training 2 is a continuation course to the Basic course WTW1. The Principles of Training, Level 2 terminology and weight training biomechanics will be presented. Level 2 programs and possible variations will be applied in the prescription of the personal weight training program. The course will incorporate lectures on possible injuries and prevention in a more advanced weight training setting. Implementation of goal setting, tracking, analyzing, progressing individual programs will be included.

*Strongly Recommended: KIN WT1 with a minimum grade of C*

Day 21381 MW 9:30-10:45 PE202 GIACOMAZZI 08/17-12/18 OP V01

Day 21382 TTh 9:30-10:45 PE202 GIACOMAZZI 08/17-12/18 OP V02

Day 21383 TTh 12:30-1:45 PE202 OLSON 08/17-12/18 OP V03

Day 21732 MW 12:30-1:45 PE202 YOON 08/17-12/18 OP V04

Day 23280 By Arr 6.7 Hrs/Wk PE202 CRAIGHEAD 10/12-12/11 OP FT2

*KIN WT2-FT2 is a Fast Track course that meets from Oct 12-Dec 11. Students are able to attend any of the sessions and must meet for the required time of 54 hours over the course of the term. The class will meet on following dates and times: MTWThF 7:30-8:30am, MTTh 2:00-4:30pm, W 2:00-3:00pm*

Eve 21384 MW 5:30-6:45 PE202 PIERSON 08/17-12/18 OP 093

**KIN WTW1 WOMEN'S WEIGHT TRAINING I 1.0 Units**

This specialized course will provide an orientation to the basic weight training machines available in gyms/clubs and proper gym etiquette, a study of the basic musculoskeletal anatomy and kinesiology of the female body, present the fundamental tenets of weight training, discuss how to maintain healthy body composition, and information on designing a weight training program to achieve attainable personal goals. Pre/Post Fitness Assessments will be conducted to establish a baseline of fitness and a measuring instrument for improvement toward weight training goals. Through proper education and implementation of sound weight training principles, the female student will be able to maintain a healthy lifestyle throughout various stages of life.

Day 22149 TTh 11:00-12:15 PE203 CUMBO 08/17-12/18 GR V01

**KIN WTW2 WOMEN'S TRAINING 2 1.0 Units**

Women's Weight Training 2 is a continuation course to Women's Weight Training 1. Students will increase muscular strength and/or muscular endurance using weight machines, free weights, and body weight exercises. Implementation of program design and goal setting will be included.

*Strongly Recommended: KIN WTW1 with a minimum grade of C.*

Day 21688 TTh 11:00-12:15 PE203 CUMBO 08/17-12/18 OP V01

**KIN YO1 YOGA I 1.0 Units**

This is an introductory course exploring the principles of Hatha Yoga and how they apply to achieving lifetime fitness. Emphasis

D/E	CRN	DAYS	TIMES	ROOM	INSTRUCTOR	DATES	CODES	SEC	D/E	CRN	DAYS	TIMES	ROOM	INSTRUCTOR	DATES	CODES	SEC
-----	-----	------	-------	------	------------	-------	-------	-----	-----	-----	------	-------	------	------------	-------	-------	-----

is on developing awareness of body alignment, balance, and flexibility through a series of exercises and poses. Breathing exercises, relaxation and meditation techniques are learned and practiced throughout the course.

Day	21776	TTh	8:00-9:15	PE213	STAFF	08/17-12/18	OP	V01
Day	21777	TTh	12:30-1:45	PE213	RHEINHEIMER	08/17-12/18	OP	V02
Day	21778	MW	9:30-10:45	PE213	CUMBO	08/17-12/18	OP	V03
Day	21779	MW	2:00-3:15	PE213	YOON	08/17-12/18	OP	V04
Day	21780	Fri	9:30-12:20	PE213	CUMBO	08/17-12/18	OP	V05

**KIN YO2 YOGA 2 1.0 Units**

This is an intermediate Hatha Yoga course that emphasizes intense stretching, balancing, and building of muscular strength. A series of poses and breathing techniques will be practiced in order to create a more strenuous yoga experience. Emphasis will be on the principles of healthy living, along with proper posture, relaxation and meditation techniques.

*Strongly Recommended: KIN YO1 with a minimum grade of C*

Day	21386	TTh	8:00-9:15	PE213	STAFF	08/17-12/18	OP	V01
Day	21387	TTh	12:30-1:45	PE213	RHEINHEIMER	08/17-12/18	OP	V02
Day	21388	MW	9:30-10:45	PE213	CUMBO	08/17-12/18	OP	V03
Day	21389	MW	2:00-3:15	PE213	YOON	08/17-12/18	OP	V04
Day	21390	Fri	9:30-12:20	PE213	CUMBO	08/17-12/18	OP	V05

**KIN ZUMI ZUMBA FITNESS WORKOUT I 1.0 Units**

Zumba is a Latin-inspired, dance-fitness workout class that incorporates Latin American inspired music, along with jazz, hip hop, pop, country and African inspired international music. Zumba workouts will use choreographed steps and movements to form a fitness based calorie burning dance workout.

Day	23381	MW	12:30-1:45	PE102	VALVERDE	08/17-12/18	OP	V01
-----	-------	----	------------	-------	----------	-------------	----	-----

## KINESIOLOGY - INTERCOLLEGIATE ATHLETICS -

**KIN 32A FALI INTERCOLLEG. MEN'S BBALL 3.0 Units**

Basketball training for intercollegiate competition. Daily practice for advanced skill development will occur. Fall semester.

Day	23357	MTWTh	3:00-5:50	PE101	GIACOMAZZI	08/17-12/18	GR	V01
-----	-------	-------	-----------	-------	------------	-------------	----	-----

**KIN 38B INTERCOLLEGIATE MEN'S SOCCER 3.0 Units**

Training for intercollegiate competition at collegiate level. Practice will take place which will include training students to perform at the college individual for intercollegiate competition in the sport of soccer using such skills as passing, receiving and heading as well as offensive and defensive strategies. Students must meet California Community College eligibility requirements as established by the California Commission on Athletics.

*Strongly Recommended: KIN 38A with a minimum grade of C*

Day	22153	Daily	12:30-2:20	SYNTH	CUMBO	08/17-12/18	GR	V01
-----	-------	-------	------------	-------	-------	-------------	----	-----

**KIN 40B IN SEASON WOMEN'S VOLLEYBALL 3.0 Units**

Intercollegiate competition in the sport of women's volleyball.

*Strongly Recommended: KIN 40A with a minimum grade of C and/or Ability to demonstrate the following skills: bump, set, spike, serve.*

Eve	22364	Daily	5:00-6:50	PE101	STAFF	08/17-12/18	GR	093
-----	-------	-------	-----------	-------	-------	-------------	----	-----

**KIN 41A PRE-SEASON WOMEN'S BASKETBALL 1.0 Units**

PRE-SEASON CONDITIONING FOR INTERCOLLEGIATE BASKETBALL (WOMEN) This course is designed to provide the student with an opportunity to develop the skills and physical conditioning, along with the understanding of basketball at the of basketball at the advanced level in preparation for intercollegiate competition. Skills such as dribbling, passing, shooting, defensive and offensive strategies will be presented and practiced. Team play and sportsmanship are important

priorities that are emphasized in this class. Fall semester.

Day	21376	MTWTh	1:00-2:50	PE101	MORGAN	08/17-12/18	GR	V01
-----	-------	-------	-----------	-------	--------	-------------	----	-----

**KIN 41B FALL INTERC. BASKETBALL-WOMEN 1.5 Units**

Training for intercollegiate competition. Daily practice. Fall Semester

Day	21081	Daily	1:00-2:50	PE101	MORGAN	08/17-12/18	GR	LEI
-----	-------	-------	-----------	-------	--------	-------------	----	-----

*Student athletes must complete an athletic physical exam by a licensed physician prior to participation in this class. (Physical form located in PE 116) In order for a student athlete to be eligible to compete in intercollegiate athletics, a student athlete will need to have a comprehensive Student Educational Plan (SEP) on file by OCT 15th. Please make an appointment with a counselor as early as possible.*

**KIN 48B INTERCOLLEGIATE WOMEN'S SOCCER 3.0 Units**

Instruction and intercollegiate competition is offered in this sport to those students who are selected, based on tryouts, prior to the start of the sport season.

*Strongly Recommended: KIN 48A with a minimum grade of C*

Day	22363	Daily	2:00-3:50	SYNTH	CUMBO	08/17-12/18	GR	V01
-----	-------	-------	-----------	-------	-------	-------------	----	-----

**KIN 50A PRE-SEASON INTERCOLL. SWIMMING 2.0 Units**

This course is designed to give student-athletes participating in intercollegiate swimming and diving the opportunity to enhance fitness levels and skills prior to competition season. Course content will include technique, aerobic conditioning, race specific training, and dryland/weight training.

*Strongly Recommended: KIN SW3 with a minimum grade of C*

Day	23590	MTW	2:30-4:50	POOL2	CRAIGHEAD	08/17-12/18	OP	V01
-----	-------	-----	-----------	-------	-----------	-------------	----	-----

**KIN 60 INTERCOLLEG. WATER POLO-MEN'S 3.0 Units**

This course is for Intercollegiate Men's Water Polo competition conducted through the NCAA and CCCAA. Defensive and offensive strategies, swimming mechanics, and water polo ball skills appropriate to intercollegiate athletic competition will be expected of the participants. This course may be taken four times for credit.

*Strongly Recommended: KIN SW3 and KIN WP1 with a minimum grade of C*

Day	21689	Daily	8:30-10:20	POOL2	CRAIGHEAD	08/17-12/18	GR	V01
-----	-------	-------	------------	-------	-----------	-------------	----	-----

*Student athletes must complete an athletic physical exam by a licensed physician prior to participation in this class. (Physical form located in PE 116) In order for a student athlete to be eligible to compete in intercollegiate athletics, a student athlete will need to have a comprehensive Student Educational Plan (SEP) on file by OCT 15th. Please make an appointment with a counselor as early as possible.*

**KIN 65 INTERCOLL. WATER POLO-WOMEN'S 3.0 Units**

This course is for Intercollegiate Women's Water Polo competition conducted through the NCAA and CCCAA. Defensive and offensive strategies, swimming mechanics, and water polo ball skills appropriate to intercollegiate athletic competition will be expected of the participants. This course may be taken four times for credit.

*Strongly Recommended: KIN SW3 and KIN WP1 with a minimum grade of C*

Day	21690	Daily	12:30-2:30	POOL2	STAFF	08/17-12/18	GR	V01
-----	-------	-------	------------	-------	-------	-------------	----	-----

*Student athletes must complete an athletic physical exam by a licensed physician prior to participation in this class. (Physical form located in PE 116) In order for a student athlete to be eligible to compete in intercollegiate athletics, a student athlete will need to have a comprehensive Student Educational Plan (SEP) on file by OCT 15th. Please make an appointment with a counselor as early as possible.*

## KINESIOLOGY - MARTIAL ARTS -

**KIN TKI TAE KWON DO I 1.0 Units**

A beginning level self-defense course designed to teach fundamental techniques of Taekwondo. Developing basic techniques in kicking, punching and sparring, the course will

D/E	CRN	DAYS	TIMES	ROOM	INSTRUCTOR	DATES	CODES	SEC	D/E	CRN	DAYS	TIMES	ROOM	INSTRUCTOR	DATES	CODES	SEC
-----	-----	------	-------	------	------------	-------	-------	-----	-----	-----	------	-------	------	------------	-------	-------	-----

introduce concepts of fitness and cardio-respiratory conditioning achieved through participating in Taekwondo. This course is structured as a martial arts class.

Day 21572 MW 11:00-12:15 PE213 YOON 08/17-12/18 OP V01

**KIN TK2 TAE KWON DO 2 1.0 Units**

This martial arts course is structured as a continuation from Level 1 Taekwondo. The intermediate techniques of kicking, punching and sparring will reinforce concepts of fitness and cardio-respiratory conditioning achieved through participating in Taekwondo. Students will learn intermediate self-defense techniques from Taekwondo skills. Attending and observing local tournaments will be assigned as an off campus activity.

Strongly Recommended: KIN TK1 with a minimum grade of C

Day 21380 MW 11:00-12:15 PE213 YOON 08/17-12/18 OP V01

**KIN TK3 TAE KWON DO 3 1.0 Units**

This martial arts course is structured as a continuation from Level 2 Taekwondo. The advanced techniques of blocks, kicks and stances will reinforce concepts of fitness, cardio-respiratory conditioning, strength and balance achieved through participating in Taekwondo. Students will learn advanced self-defense techniques and advanced required forms in Accordance with World Taekwondo Federation Regulations. Attending and observing local tournaments will be assigned as an off campus activity.

Strongly Recommended: KIN TK2 with a minimum grade of C

Day 22147 MW 11:00-12:15 PE213 YOON 08/17-12/18 OP V01

## KINESIOLOGY - THEORY COURSES -

**KIN 5 SPORTS MANAGEMENT 3.0 Units**

Course content includes how to organize, manage, plan, staff, direct, and control a sports program. Furthermore, areas such as Title IX, budget, facilities management, sports law, scheduling, officials, sports marketing, transportation, public relations, parent and booster clubs, purchase and care of athletic equipment, fund raising. This course will provide an overview of the many careers available in the sports management industry.

Web 23356 ONLINE SAPS FORD 08/17-12/18 GR DE1

KIN 5-DE1 is an online course. For more information, see the section titled "Online Learning" in this schedule, or go to <http://www.laspositascollege.edu/onlinelearning>.

**KIN 6 PERSONAL TRAINER 3.5 Units**

This course emphasizes the theoretical and hands on skills required of personal trainers, coaches and fitness professionals. This course will bridge the gap between exercise science, kinesiology and practical hands-on learning by integrating the latest in scientific and physiologically based research. This class will have lectures, labs, group work/discussions and assignments.

Day 22742 Lab Th 12:30-1:45 PE212 CUMBO 08/17-12/18 OP HD1

ONLINE / HYBRID 08/17-12/18 OP

KIN 6-HY1 is a HYBRID course. Students will meet on campus on the days/times indicated above. The remainder of the course will be completed online. For more information, see the section titled "Online Learning" in this schedule, or go to <http://www.laspositascollege.edu/onlinelearning>.

**KIN 14 RESPONDING TO EMERGENCIES: 3.0 Units**

This course involves the theory and detailed demonstration of the first aid care of the injured. The student will learn to assess a victim's condition and incorporate proper treatment. Standard first aid, CPR, and AED certification(s) will be granted upon successful completion of requirements.

Day 22743 MW 12:30-1:45 PE209 CRAIGHEAD 08/17-12/18 GR V01

**KIN 17 INTRO ATHLETIC TRNG/SPORTS MED 4.0 Units**

Basic taping skills, introduction to modality usage, and basic rehabilitation principles of athletic training. Designed to be preparatory for further education and a career in Athletic Training and or other Sports Medicine related fields. May include work with intercollegiate sports programs. Legal and ethical issues, professionalism, organization and administration of a sports medicine facility. This course is focused on preparing those interested in becoming Athletic Trainers and Coaches.

KIN 17 has a \$35 material fee.

Day 20833 Lab TTh 9:30-10:45 PE209 LE CARA 08/17-12/18 GR HY1

ONLINE / HYBRID 08/17-12/18 GR

KIN 17-HY1 is a HYBRID course. Students will meet on campus on the days/times indicated above. The remainder of the course will be completed online. For more information, see the section titled "Online Learning" in this schedule, or go to <http://www.laspositascollege.edu/onlinelearning>.

**KIN 18B ATHLETIC TRAINING PRACTICUM 2 1.0 Units**

This course will expose students to injury evaluation, methods of diagnosis and rehabilitation. The student will help make return to play decisions based on the knowledge they have learned in their coursework. The students will develop and administer conditioning programs to Las Positas College athletes with the guidance of the Certified Athletic Trainer.

Prerequisite: KIN 18A with a minimum grade of C

Day 23566 By Arr 3.0 Hrs/Wk tba LE CARA 08/17-12/18 OP V01

**KIN 30 INTRODUCTION TO KINESIOLOGY 3.0 Units**

This class is designed to introduce the student to Kinesiology-the science of human movement (and of humans moving). Concepts in the various subfields of Kinesiology are examined and career opportunities in the field of Kinesiology are explored. Due to the interdisciplinary nature of Kinesiology, the field will be covered from a humanities, social science, and life science perspective.

Day 20834 TTh 12:30-1:45 801 CRAIGHEAD 08/17-12/18 OP V01

## LIBRARY SKILLS

**LIBR 1 WORKING WITH SOURCES 1.0 Units**

Introduction to using sources as supporting documentation in a college level research project. Teaches the skills needed to successfully find, evaluate, use, cite, and document information using library and open web sources. Focus on identifying appropriate sources and proper use of sources. Students will learn to distinguish between source types, how to avoid plagiarism, and how to use sources in their research projects.

Day 22803 Mon 12:30-1:20 2003 RIPPEL 08/17-12/18 OP P01

LIBR 1-P01 is part of the Puente Program and is linked to ENG 1A-P01 MW 11-12:15 and W 12:30-1:45p.m and PCN 30-P01 MW 9:30-10:45a.m. For more information or to register for the program, please contact Rafael Valle at [rvalle@laspositascollege.edu](mailto:rvalle@laspositascollege.edu)

Day 22152 Wed 12:30-1:20 2003 RIPPEL 08/17-12/18 OP U01

This section of LIBR 1 is part of the Umoja Program and is linked to ENG 1A-U01, MW 11-12:15 and M 12:30-1:45 p.m. and PCN 30-U01 MW 9:30-10:45 a.m. For more information, or to register for the program, please contact Kimberly Burks at [kburks@laspositascollege.edu](mailto:kburks@laspositascollege.edu)

**LIBR 6 RESEARCH IN SPECIAL SUBJECTS 0.5 Units**

Introduction to college library research techniques in a specific subject area. Focus on campus and remote use of subject databases, emphasis on discipline specific physical and electronic resources, search strategies, evaluation of relevant resources, distinction between scholarly journals and popular magazines, discussion of plagiarism, and bibliographic citation of materials.

Even 23320 Tue 4:00-6:50 2003 THORMOTO 11/03-11/17 P/N LE1

LIBR 6-LE1 is a LATE START course that meets three Tuesdays only: November 3, November 10, and November 17 in Room 2003, Topic: Business.



## MARKETING

### MKTG 50 INTRODUCTION TO MARKETING 3.0 Units

Marketing as a value exchange process involving all societal members; an overview of product development, pricing, placement, and promotion; Target markets including the demographic and behavioral dimensions of markets; analyses of marketing placement and pricing strategies and the social, cultural, economic, competitive and legal factors affecting marketing mix decisions.

*Strongly Recommended: ENG 1A with a minimum grade of C*

Day 20113 MW 9:30-10:45 PE212 AYOTTE 08/17-12/18 OP VOI

Web 20525 ONLINE PATTERSON 08/17-12/18 OP DEI

*MKTG 50-DEI is an online course. For more information, see the section titled "Online Learning" in this schedule, or go to <http://www.laspositascollege.edu/onlinelearning>.*

### MKTG 56 MARKETING STRATEGIES 3.0 Units

Current marketing trends, strategies, and techniques. Introduction to online and social media marketing. The promotional process and techniques in the development of effective content creation and branding. Advanced theories, principles, and practices of customer service, customer loyalty, and the customer experience.

Web 22420 ONLINE PATTERSON 08/17-12/18 OP DEI

*MKTG 56-DEI is an online course. For more information, see the section titled "Online Learning" in this schedule, or go to <http://www.laspositascollege.edu/onlinelearning>.*

### MKTG 61 PROFESSIONAL SELLING 3.0 Units

Principles and techniques involved in selling products, ideas, and/or services. Focus is on building relationships with others, identifying the reasons a purchase decision may be made. Includes buying motives, communication options, developing commonalities, sales call planning, ethics, follow-up contacts, and customer service. Interactions for face-to-face and online encounters; professional and technical products; consultants; and anyone wanting to improve their interactions with others.

Web 22016 ONLINE PATTERSON 10/12-12/11 OP LOI

*MKTG 61-LOI is a Fast Track online course that meets from Oct 12-Dec 11. For more information, see the section titled "Online Learning" in this schedule, or go to <http://www.laspositascollege.edu/onlinelearning>.*

## MASS COMMUNICATIONS

### MSCM 5 INTRO TO MASS COMMUNICATIONS 3.0 Units

Survey of mass communication and the interrelationships of media with society, including history, structure, and trends in a digital age. Discussion of theories and effects, economics, technology, law and ethics, global media, media literacy, and social issues, including gender and cultural diversity.

*Strongly recommended: Eligibility for ENG 1A. 3 hours lecture. AA/AS GE. Transfer: CSU, UC\*; CSU GE: D7; IGETC: 4G. \*MSCM 5 and 31 combined: max UC credit, one course.*

Day 21854 Fri 9:30-11:00 103 THOMPSON 08/17-12/18 OP HYI

ONLINE / HYBRID 08/17-12/18 OP

*MSCM 5-HYI is a HYBRID course. Students will meet on campus on the days/times indicated above. The remainder of the course will be completed online. For more information, see the section titled "Online Learning" in this schedule, or go to <http://www.laspositascollege.edu/onlinelearning>.*

### MSCM 7 INTRO TO PUBLIC RELATIONS 3.0 Units

Introduction to the principles, history, development, and professional practice of modern public relations. Includes concepts of planning and executing effective communication strategies, including message design and distribution, for any organization.

*Strongly Recommended: Eligibility for ENG 1A*

Eve 23355 Tue 7:00-9:50 2409 THOMPSON 08/17-12/18 OP 093

### MSCM 16A EXPRESS COLLEGE NEWSPAPER A 3.0 Units

An applied course in which students practice and refine beginning journalism skills, including recognizing, acquiring, producing, and distributing content for the print and online editions of the student newspaper, the Express. The focus of study is on basic news, feature, and opinion stories. Students are introduced to concepts related to photojournalism, business management, graphic arts, design, social media, and leadership and editing skills. The course includes ethical, practical, and legal issues in journalism.

*Strongly recommended: Eligibility for ENG 1A/1AEX*

Day 21112 Mon 1:00-3:50 2409 KORBER 08/17-12/18 OP VOI

Wed 1:00-2:20 2409 08/17-12/18 OP

Lab Fri 1:00-1:50 2409 08/17-12/18 OP

### MSCM 16B EXPRESS COLLEGE NEWSPAPER B 3.0 Units

An applied course in which students practice and refine intermediate journalism skills, including recognizing, acquiring, producing, and distributing content for the print and online editions of the student newspaper, the Express. Focus is on in-depth news, feature and opinion stories. Students develop intermediate abilities in photojournalism, business management, graphic arts, design, social media, and leadership and editing skills. The course includes ethical, practical, and legal issues in journalism.

*Prerequisite: MSCM 16A with a minimum grade of C*

*Strongly Recommended: Eligibility for ENG 1A/1AEX*

Day 21113 Mon 1:00-3:50 2409 KORBER 08/17-12/18 OP VOI

Wed 1:00-2:20 2409 08/17-12/18 OP

Lab Fri 1:00-1:50 2409 08/17-12/18 OP

### MSCM 16C EXPRESS COLLEGE NEWSPAPER C 3.0 Units

An applied course in which students practice and refine advanced journalism skills, including recognizing, acquiring, producing, and distributing content for the print and online editions of the student newspaper, the Express. Focus is on leadership, editing the work of others, improving writing and multimedia skills, and improving the Express. Enhanced leadership role includes outreach to the community and representation as journalist and leader at events. Students develop advanced abilities in writing, photojournalism, business management, graphic arts, design, social media, and leadership and editing skills. Students will produce course includes ethical, practical, and legal issues in journalism. Students should serve in a leadership role.

*Prerequisite: MSCM 16B with a minimum grade of C*

*Strongly recommended: Eligibility for ENG 1A/1AEX*

Day 21864 Mon 1:00-3:50 2409 KORBER 08/17-12/18 OP VOI

Wed 1:00-2:20 2409 08/17-12/18 OP

Lab Fri 1:00-1:50 2409 08/17-12/18 OP

### MSCM 16D EXPRESS COLLEGE NEWSPAPER D 3.0 Units

An applied capstone course in which students practice and refine advanced journalism skills, including recognizing, acquiring, producing, and distributing content for the print and online editions of the student newspaper, the Express. Focus is on completing a portfolio project, exploring career opportunities in the field, leading others, editing the work of others, improving writing and multimedia skills, and improving the Express. Students work to develop advanced abilities in writing, photojournalism, business management, graphic arts, design, social media, leadership, and editing skills. The course includes ethical, practical, and legal issues in journalism. Student assumes a leadership role and create workshops to benefit other staff members.

*Prerequisite: MSCM 16C with a minimum grade of C*

*Strongly recommended: Eligibility for ENG 1A/1AEX*

D/E	CRN	DAYS	TIMES	ROOM	INSTRUCTOR	DATES	CODES	SEC	D/E	CRN	DAYS	TIMES	ROOM	INSTRUCTOR	DATES	CODES	SEC
Day	21677	Mon	1:00-3:50	2409	KORBER	08/17-12/18	OP	V01									
		Wed	1:00-2:20	2409		08/17-12/18	OP										
Lab		Fri	1:00-1:50	2409		08/17-12/18	OP										

**MSCM 17 EXPRESS EDITORIAL BOARD 1.0 Units**

The roles and responsibilities of leaders on the college newspaper, the Express. Practical experience participating in editorial board meetings, setting policy for the newspaper, and leading in the decision-making process for issue planning, budgeting, and the development of the newspaper. Enrollment is limited to student leaders on the Express.

*Strongly recommended: Eligibility for ENG 1A*

Day	21865	Fri	2:00-2:50	2409	KORBER	08/17-12/18	OP	V01
-----	-------	-----	-----------	------	--------	-------------	----	-----

**MSCM 31 INTRODUCTION TO MEDIA 3.0 Units**

A survey of radio, television, film and multimedia and their impact on culture and society; includes economics, technological development, programming, ratings, legal aspects, and social control of broadcasting in America, and cross-cultural, international comparisons.

*Strongly Recommended: Eligibility for ENG 1A*

Web	22731	ONLINE			KORBER	08/17-12/18	OP	DEI
-----	-------	--------	--	--	--------	-------------	----	-----

*MSCM 31-DEI is an online course. For more information, see the section titled "Online Learning" in this schedule, or go to <http://www.laspositascollege.edu/onlinelearning>.*

**MSCM 34A COLLEGE MAGAZINE A 3.0 Units**

Creation of a journalistic-style student magazine. Emphasis is placed on developing content, writing in-depth magazine articles, producing photographs and other visual elements, correlating copy and visuals, laying out pages in the production process, copy editing, promoting advertising, managing the business-side of the magazine, and exploring ethical issues.

*Strongly Recommended: Eligibility for ENG 1A*

Day	22540	TTh	2:00-4:15	2409	KORBER	09/09-12/11	OP	FT2
Lab	By Arr		6.7 Hrs/Wk	2409		09/09-12/11	OP	

*MSCM 34A-FT2 is a Fast Track course that meets from Sept 9-Dec 11.*

**MSCM 34B COLLEGE MAGAZINE B 3.0 Units**

Leadership in the creation and promotion of a journalistic-style student magazine, including development of skills in areas of social media and multimedia. Emphasis is placed on practicing and refining intermediate-level journalism skills while developing content, writing in-depth magazine articles, producing copy and visuals, laying out pages in the production the business-side of the magazine, and exploring ethical issues.

*Prerequisite: MSCM 34A with a minimum grade of C*

*Strongly Recommended: Eligibility for ENG 1A*

Day	22732	TTh	2:00-4:15	2409	THOMPSON	09/09-12/11	OP	FT2
Lab	By Arr			2409		09/09-12/11	OP	

*MSCM 34B-FT2 is a Fast Track course that meets from Sept 9-Dec 11.*

## MATH

- Math Emporium classes..... pg. 79
- Lecture and Hybrid classes ..... pg. 82
- All Concurrent Support..... pg. 85
- Math Jam .....pg. 87
- Non-Credit (Tuition-Free) Math Classes and Concurrent Supports..... pg. 88

## MATH EMPORIUM

The Math Emporium is a mode in which students have the ability to complete their foundational math courses, associate level math courses, and Technical Math sequence in a personalized mode. This mode allows students to self-accelerate through the material in a way that is unique to each student's needs. Students will learn study skills and tips along with the math while working on their lab assignments. Students will decide when they are ready to take a test and take the length of time they need when testing (within the hours of operation).

*Students registering for a Math Emporium course are required to purchase and use the internet based soft-ware MyMathLab, which contains an online version of the textbook.*

**MATH 40 STATISTICS AND PROBABILITY 4.0 Units**

Descriptive statistics, including measures of central tendency, dispersion and position; elements of probability; confidence intervals; hypothesis tests; two-population comparisons; correlation and regression; goodness of fit; analysis of variance; applications in various fields. Introduction to the use of a computer software package to complete both descriptive and inferential statistics problems.

*Prerequisites: Math 50 or Math 55 or Math 55B with a minimum grade of C*

*A TI-84 or TI-83 calculator or internet-based software may be required for some sections of this course. There may be a fee associated with these materials. Consult with the instructor or bookstore before registering for this course.*

**THE FOLLOWING MATH 40 SECTIONS ARE TAUGHT IN THE MATH EMPORIUM**

Day	23592	Tue	9:30-10:45	607	PETERSON	08/17-12/18	GR	X01
		Th	9:30-11:45	607		08/17-12/18	GR	
		Lab	Tue	10:55-11:45	607	08/17-12/18	GR	
Day	23593	Tue	12:30-1:45	607	GRAHAM	08/17-12/18	GR	X02
		Th	12:30-2:45	607		08/17-12/18	GR	
		Lab	Tue	1:55-2:45	607	08/17-12/18	GR	
Day	23594	Mon	12:30-1:45	607	STAFF	08/17-12/18	GR	X03
		Wed	12:30-2:45	607		08/17-12/18	GR	
		Lab	Mon	1:55-2:45	607	08/17-12/18	GR	
Day	23595	Tue	3:30-4:45	607	OWENS	08/17-12/18	GR	X04
		Th	3:30-4:45	607		08/17-12/18	GR	
		Lab	Tue	4:55-5:45	607	08/17-12/18	GR	
Day	23596	Mon	9:30-10:45	607	POWERS	08/17-12/18	GR	X05
		Wed	9:30-11:45	607		08/17-12/18	GR	
		Lab	Mon	10:55-11:45	607	08/17-12/18	GR	
Day	23597	Mon	3:30-4:45	607	STAFF	08/17-12/18	GR	X06
		Wed	3:30-5:45	607		08/17-12/18	GR	
		Lab	Mon	4:55-5:45	607	08/17-12/18	GR	
Eve	23598	Mon	6:30-7:45	607	STAFF	08/17-12/18	GR	X93
		Wed	6:30-8:45	607		08/17-12/18	GR	
		Lab	Mon	7:55-8:45	607	08/17-12/18	GR	
Eve	23599	Tue	6:30-7:45	607	STAFF	08/17-12/18	GR	X94
		Th	6:30-8:45	607		08/17-12/18	GR	
		Lab	Tue	7:55-8:45	607	08/17-12/18	GR	

**MATH 52A TECH. INTER. ALGEBRA-AUTO A 1.5 Units**

This course provides a survey of algebraic processes with an emphasis on applications in the automotive trades. Topics covered include, but are not limited to: algebraic expressions; quadratic functions; and functions. This course may not be used as a prerequisite for any transfer level course.

*Prerequisite: MATH 72D with a minimum grade of C*

**THE FOLLOWING MATH 52A SECTIONS ARE TAUGHT IN THE MATH EMPORIUM**

*The following MATH 52A sections meet from Aug 17-Oct 9.*

Day	22820	TTh	9:30-11:15	607	PETERSON	08/17-10/09	OP	T01
Day	22821	TTh	12:30-2:15	607	GRAHAM	08/17-10/09	OP	T02
Day	22822	MW	12:30-2:15	607	STAFF	08/17-10/09	OP	T03
Day	22823	TTh	3:30-5:15	607	OWENS	08/17-10/09	OP	T04
Day	22824	MW	9:30-11:15	607	POWERS	08/17-10/09	OP	T05

D/E	CRN	DAYS	TIMES	ROOM	INSTRUCTOR	DATES	CODES	SEC	D/E	CRN	DAYS	TIMES	ROOM	INSTRUCTOR	DATES	CODES	SEC
Day	22825	MW	3:30-5:15	607	STAFF	08/17-10/09	OP	T06	Eve	22866	MW	6:30-8:50	607	STAFF	10/19-12/18	OP	T95
Eve	22826	MW	6:30-8:15	607	STAFF	08/17-10/09	OP	T93	Eve	22867	TTh	6:30-8:50	607	STAFF	10/19-12/18	OP	T96
Eve	22827	TTh	6:30-8:15	607	STAFF	08/17-10/09	OP	T94	<b>MATH 53B TECH.INTER.ALBGRA-WELDING B 1.0 Units</b>								
<p>The following MATH 52A sections meet from Oct 19-Dec 18.</p>									<p>This course provides a survey of algebraic processes with an emphasis on applications in welding. Topics covered include, but are not limited to: quadratic equations, functions, and mathematical models. This course may not be used as a prerequisite for any transfer level course. Prerequisite: MATH 72D and MATH 53A with a minimum grade of C</p>								
Day	22828	TTh	9:30-11:15	607	PETERSON	10/19-12/18	OP	T07	<b>THE FOLLOWING MATH 53B SECTIONS ARE TAUGHT IN THE MATH EMPORIUM</b>								
Day	22829	TTh	12:30-2:15	607	GRAHAM	10/19-12/18	OP	T08	<p>The following MATH 53B sections meet from Aug 17-Oct 9.</p>								
Day	22830	MW	12:30-2:15	607	STAFF	10/19-12/18	OP	T09	Day	22868	TTh	9:30-10:35	607	PETERSON	08/17-10/09	OP	T01
Day	22831	TTh	3:30-5:15	607	OWENS	10/19-12/18	OP	T10	Day	22869	TTh	12:30-1:35	607	GRAHAM	08/17-10/09	OP	T02
Day	22832	MW	9:30-11:15	607	POWERS	10/19-12/18	OP	T11	Day	22870	MW	12:30-1:35	607	STAFF	08/17-10/09	OP	T03
Day	22833	MW	3:30-5:15	607	STAFF	10/19-12/18	OP	T12	Day	22871	TTh	3:30-4:35	607	OWNES	08/17-10/09	OP	T04
Eve	22834	MW	6:30-8:15	607	STAFF	10/19-12/18	OP	T95	Day	22872	MW	9:30-10:35	607	POWERS	08/17-10/09	OP	T05
Eve	22836	TTh	6:30-8:15	607	STAFF	10/19-12/18	OP	T96	Day	22873	MW	3:30-4:35	607	STAFF	08/17-10/09	OP	T06

**MATH 52B TECH.INTER.ALBGRA-AUTO B 1.5 Units**

This course provides a survey of algebraic and geometric processes with an emphasis on applications in the automotive trades. Topics covered include, but are not limited to: plane geometry; linear regression, financial mathematics, and measures of central tendency. This course is not intended as a prerequisite for any transfer level course.

Prerequisite: MATH 52A with a minimum grade of C

**THE FOLLOWING MATH 52B SECTIONS ARE TAUGHT IN THE MATH EMPORIUM**

The following MATH 52B sections meet from Aug 17-Oct 9.

Day	22837	TTh	9:30-11:15	607	PETERSON	08/17-10/09	OP	T01
Day	22838	TTh	12:30-2:15	607	GRAHAM	08/17-10/09	OP	T02
Day	23060	MW	12:30-2:15	607	STAFF	08/17-10/09	OP	T03
Day	22839	TTh	3:30-5:15	607	OWENS	08/17-10/09	OP	T04
Day	22840	MW	9:30-11:15	607	POWERS	08/17-10/09	OP	T05
Day	22841	MW	3:30-5:15	607	STAFF	08/17-10/09	OP	T06
Eve	22842	MW	6:30-8:15	607	STAFF	08/17-10/09	OP	T93
Eve	22843	TTh	6:30-8:15	607	STAFF	08/17-10/09	OP	T94

The following MATH 52B sections meet from Oct 19-Dec 18.

Day	22844	TTh	9:30-11:15	607	PETERSON	10/19-12/18	OP	T07
Day	22845	TTh	12:30-2:15	607	GRAHAM	10/19-12/18	OP	T08
Day	22846	MW	12:30-2:15	607	STAFF	10/19-12/18	OP	T09
Day	22847	TTh	3:30-5:15	607	OWENS	10/19-12/18	OP	T10
Day	22848	MW	9:30-11:15	607	POWERS	10/19-12/18	OP	T11
Day	22849	MW	3:30-5:15	607	STAFF	10/19-12/18	OP	T12
Eve	22850	MW	6:30-8:15	607	STAFF	10/19-12/18	OP	T95
Eve	22851	TTh	6:30-8:15	607	STAFF	10/19-12/18	OP	T96

**MATH 53A TECH.INTER.ALBGRA-WELDING A 2.0 Units**

This course provides a survey of algebraic processes with an emphasis on applications in welding. Topics covered include, but are not limited to: algebraic expressions, plane geometry, the geometry of solids, and triangle trigonometry. This course may not be used as a prerequisite for any transfer level course.

Prerequisite: MATH 72C or MATH 72D with a minimum grade of C

**THE FOLLOWING MATH 53A SECTIONS ARE TAUGHT IN THE MATH EMPORIUM**

The following MATH 53A sections meet from Aug 17-Oct 9.

Day	22852	TTh	9:30-11:50	607	PETERSON	08/17-10/09	OP	T01
Day	22853	TTh	12:30-2:50	607	GRAHAM	08/17-10/09	OP	T02
Day	22854	MW	12:30-2:50	607	STAFF	08/17-10/09	OP	T03
Day	22855	TTh	3:30-5:50	607	OWENS	08/17-10/09	OP	T04
Day	22856	MW	9:30-11:50	607	POWERS	08/17-10/09	OP	T05
Day	22857	MW	3:30-5:50	607	STAFF	08/17-10/09	OP	T06
Eve	22858	MW	6:30-8:50	607	STAFF	08/17-10/09	OP	T93
Eve	22859	TTh	6:30-8:50	607	STAFF	08/17-10/09	OP	T94

The following MATH 53A sections meet from Oct 19-Dec 18.

Day	22860	TTh	9:30-11:50	607	PETERSON	10/19-12/18	OP	T07
Day	22861	TTh	12:30-2:50	607	GRAHAM	10/19-12/18	OP	T08
Day	22862	MW	12:30-2:50	607	STAFF	10/19-12/18	OP	T09
Day	22863	TTh	3:30-5:50	607	OWENS	10/19-12/18	OP	T10
Day	22864	MW	9:30-11:50	607	POWERS	10/19-12/18	OP	T11
Day	22865	MW	3:30-5:50	607	STAFF	10/19-12/18	OP	T12

**MATH 55 INTERMEDIATE ALGEBRA FOR BSTEM 5.0 Units**

Intermediate algebra concepts, in the service of Business, Science, Technology, Engineering and Math (BSTEM) will be explored in this course including: an introduction to functions; linear and absolute value functions; absolute value equations and inequalities; compound linear inequalities; rational expressions, functions and equations; radical expressions, functions and equations; rational exponents; complex numbers; quadratic functions and equations; inverse of a function; exponential and logarithmic functions; properties of logarithms; exponential and logarithmic equations; conic sections; and systems of equations and inequalities. Multiple representations, applications and modeling with functions are emphasized throughout.

Strongly Recommended: MATH 110 or MATH 110B or NMAT 210 with a minimum grade of C

A TI-84 or TI-83 calculator or internet-based software may be required for some sections of this course. There may be a fee associated with these materials. Consult with the instructor or bookstore before registering for this course.

**THE FOLLOWING MATH 55 SECTIONS ARE TAUGHT IN THE MATH EMPORIUM**

Day	22883	TTh	9:30-11:45	607	PETERSON	08/17-12/18	OP	X01
Day	22039	TTh	12:30-2:45	607	GRAHAM	08/17-12/18	OP	X02
Day	22884	MW	12:30-2:45	607	STAFF	08/17-12/18	OP	X03
Day	22885	TTh	3:30-5:45	607	OWENS	08/17-12/18	OP	X04
Day	22040	MW	9:30-11:45	607	POWERS	08/17-12/18	OP	X05
Day	22041	MW	3:30-5:45	607	STAFF	08/17-12/18	OP	X06
Eve	22886	MW	6:30-8:45	607	STAFF	08/17-12/18	OP	X93
Eve	22042	TTh	6:30-8:45	607	STAFF	08/17-12/18	OP	X94

**MATH 72A TECH ELEMENTARY ALGEBRA A 1.0 Units**

This course provides a survey of computational and elementary algebraic processes with an emphasis on applications in the automotive and welding trades. Topics covered include, but are not limited to: computations with real numbers, ratios, and proportions. This course cannot be used as a prerequisite for Math 50 Core Intermediate Algebra or Math 55 Intermediate Algebra.



D/E	CRN	DAYS	TIMES	ROOM	INSTRUCTOR	DATES	CODES	SEC	D/E	CRN	DAYS	TIMES	ROOM	INSTRUCTOR	DATES	CODES	SEC
-----	-----	------	-------	------	------------	-------	-------	-----	-----	-----	------	-------	------	------------	-------	-------	-----

**THE FOLLOWING MATH 72A SECTIONS ARE TAUGHT IN THE MATH EMPORIUM**

The following MATH 72A sections meet from Aug 17-Oct 9.

Day	22400	TTh	9:30-10:35	607	PETERSON	08/17-10/09	OP	T01
Day	22948	TTh	12:30-1:35	607	GRAHAM	08/17-10/09	OP	T02
Day	22401	MW	12:30-1:35	607	STAFF	08/17-10/09	OP	T03
Day	22402	TTh	3:30-4:35	607	OWENS	08/17-10/09	OP	T04
Day	22949	MW	9:30-10:35	607	POWERS	08/17-10/09	OP	T05
Day	22950	MW	3:30-4:35	607	STAFF	08/17-10/09	OP	T06
Eve	22403	MW	6:30-7:35	607	STAFF	08/17-10/09	OP	T93
Eve	22951	TTh	6:30-7:35	607	STAFF	08/17-10/09	OP	T94

The following MATH 72A sections meet from Oct 19-Dec 18.

Day	22494	TTh	9:30-10:35	607	PETERSON	10/19-12/18	OP	T07
Day	23061	TTh	12:30-1:35	607	GRAHAM	10/19-12/18	OP	T08
Day	22495	MW	12:30-1:35	607	STAFF	10/19-12/18	OP	T09
Day	22496	TTh	3:30-4:35	607	OWENS	10/19-12/18	OP	T10
Day	22952	MW	9:30-10:35	607	POWERS	10/19-12/18	OP	T11
Day	22953	MW	3:30-4:35	607	STAFF	10/19-12/18	OP	T12
Eve	22497	MW	6:30-7:35	607	STAFF	10/19-12/18	OP	T95
Eve	22954	TTh	6:30-7:35	607	STAFF	10/19-12/18	OP	T96

**MATH 72B TECH. ELEMENTARY ALGEBRA B 1.0 Units**

This course provides a survey of computational and elementary algebraic processes with an emphasis on applications in the automotive and welding trades. Topics covered include, but are not limited to: linear equations, the rectangular coordinate system, and linear equations in two variables. This course cannot be used as a prerequisite for Math 50 Intermediate Algebra.

Prerequisite: MATH 72A with a minimum grade of C

**THE FOLLOWING MATH 72B SECTIONS ARE TAUGHT IN THE MATH EMPORIUM**

The following MATH 72B sections meet from Aug 17-Oct 9.

Day	22955	TTh	9:30-10:35	607	PETERSON	08/17-10/09	OP	T01
Day	22956	TTh	12:30-1:35	607	GRAHAM	08/17-10/09	OP	T02
Day	22957	MW	12:30-1:35	607	STAFF	08/17-10/09	OP	T03
Day	22958	TTh	3:30-4:35	607	OWENS	08/17-10/09	OP	T04
Day	22959	MW	9:30-10:35	607	POWERS	08/17-10/09	OP	T05
Day	22960	MW	3:30-4:35	607	STAFF	08/17-10/09	OP	T06
Eve	22961	MW	6:30-7:35	607	STAFF	08/17-10/09	OP	T93
Eve	22962	TTh	6:30-7:35	607	STAFF	08/17-10/09	OP	T94

The following MATH 72B sections meet from Oct 19-Dec 18.

Day	22404	TTh	9:30-10:35	607	PETERSON	10/19-12/18	OP	T07
Day	22963	TTh	12:30-1:35	607	GRAHAM	10/19-12/18	OP	T08
Day	22405	MW	12:30-1:35	607	STAFF	10/19-12/18	OP	T09
Day	22406	TTh	3:30-4:35	607	OWENS	10/19-12/18	OP	T10
Day	22964	MW	9:30-10:35	607	POWERS	10/19-12/18	OP	T11
Day	22965	MW	3:30-4:35	607	STAFF	10/19-12/18	OP	T12
Eve	22407	MW	6:30-7:35	607	STAFF	10/19-12/18	OP	T95
Eve	22966	TTh	6:30-7:35	607	STAFF	10/19-12/18	OP	T96

**MATH 72C TECH. ELEMENTARY ALGEBRA C 1.0 Units**

This course provides a survey of computational and elementary algebraic processes with an emphasis on applications in the automotive and welding trades. Topics covered include, but are not limited to: percentages and measurement. This course cannot be used as a prerequisite for Math 50 Core Intermediate Algebra or Math 55 Intermediate Algebra.

Prerequisite: MATH 72A or MATH 72B with a minimum grade of C

**THE FOLLOWING MATH 72C SECTIONS ARE TAUGHT IN THE MATH EMPORIUM**

The following MATH 72C sections meet from Aug 17-Oct 9.

Day	22969	TTh	9:30-10:35	607	PETERSON	08/17-10/09	OP	T01
Day	22970	TTh	12:30-1:35	607	GRAHAM	08/17-10/09	OP	T02
Day	22971	MW	12:30-1:35	607	STAFF	08/17-10/09	OP	T03
Day	22973	TTh	3:30-4:35	607	OWENS	08/17-10/09	OP	T04
Day	22974	MW	9:30-10:35	607	POWERS	08/17-10/09	OP	T05
Day	22975	MW	3:30-4:35	607	STAFF	08/17-10/09	OP	T06

Eve	22977	MW	6:30-7:35	607	STAFF	08/17-10/09	OP	T93
Eve	22978	TTh	6:30-7:35	607	STAFF	08/17-10/09	OP	T94

The following MATH 72C sections meet from Oct 19-Dec 18.

Day	22408	TTh	9:30-10:35	607	PETERSON	10/19-12/18	OP	T07
Day	22979	TTh	12:30-1:35	607	GRAHAM	10/19-12/18	OP	T08
Day	22409	MW	12:30-1:35	607	STAFF	10/19-12/18	OP	T09
Day	22410	TTh	3:30-4:35	607	OWENS	10/19-12/18	OP	T10
Day	22980	MW	9:30-10:35	607	POWERS	10/19-12/18	OP	T11
Day	22981	MW	3:30-4:35	607	STAFF	10/19-12/18	OP	T12
Eve	22411	MW	6:30-7:35	607	STAFF	10/19-12/18	OP	T95
Eve	22982	TTh	6:30-7:35	607	STAFF	10/19-12/18	OP	T96

**MATH 72D TECH. ELEMENTARY ALGEBRA D 1.0 Units**

This course provides a survey of computational and elementary algebraic processes with an emphasis on applications in the automotive and welding trades. Topics covered include, but are not limited to: the rectangular coordinate system, linear equations in two variables, and systems of linear equations. This course cannot be used as a prerequisite for Math 50 Core Intermediate Algebra or Math 55 Intermediate Algebra.

Prerequisite: MATH 72B and MATH 72C with a minimum grade of C

**THE FOLLOWING MATH 72D SECTIONS ARE TAUGHT IN THE MATH EMPORIUM**

The following MATH 72D sections meet from Aug 17-Oct 9.

Day	22983	TTh	9:30-10:35	607	PETERSON	08/17-10/09	OP	T01
Day	22984	TTh	12:30-1:35	607	GRAHAM	08/17-10/09	OP	T02
Day	22985	MW	12:30-1:35	607	STAFF	08/17-10/09	OP	T03
Day	22987	TTh	3:30-4:35	607	OWENS	08/17-10/09	OP	T04
Day	22988	MW	9:30-10:35	607	POWERS	08/17-10/09	OP	T05
Day	22989	MW	3:30-4:35	607	STAFF	08/17-10/09	OP	T06
Eve	22990	MW	6:30-7:35	607	STAFF	08/17-10/09	OP	T93
Eve	22991	TTh	6:30-7:35	607	STAFF	08/17-10/09	OP	T94

The following MATH 72D sections meet from Oct 19-Dec 18.

Day	22412	TTh	9:30-10:35	607	PETERSON	10/19-12/18	OP	T07
Day	22992	TTh	12:30-1:35	607	GRAHAM	10/19-12/18	OP	T08
Day	22413	MW	12:30-1:35	607	STAFF	10/19-12/18	OP	T09
Day	22414	TTh	3:30-4:35	607	OWENS	10/19-12/18	OP	T10
Day	22993	MW	9:30-10:35	607	POWERS	10/19-12/18	OP	T11
Day	22994	MW	3:30-4:35	607	STAFF	10/19-12/18	OP	T12
Eve	22415	MW	6:30-7:35	607	STAFF	10/19-12/18	OP	T95
Eve	22995	TTh	6:30-7:35	607	STAFF	10/19-12/18	OP	T96

**MATH 107 PRE-ALGEBRA 4.0 Units**

This course is intended to serve as a bridge between arithmetic and Elementary Algebra. It includes a review of arithmetic, operations involving signed integers, fractions and decimals, variables and variable expressions, simple linear equations and their graphs, percent and proportion, introduction to statistics, geometry and measurement, and application problems.

**THE FOLLOWING MATH 107 SECTIONS ARE TAUGHT IN THE MATH EMPORIUM**

Day	22043	TTh	9:30-10:45	607	PETERSON	08/17-12/18	OP	X01
	Lab	TTh	11:00-12:15	607		08/17-12/18	OP	
Day	22996	TTh	12:30-1:45	607	GRAHAM	08/17-12/18	OP	X02
	Lab	TTh	2:00-3:15	607		08/17-12/18	OP	
Day	22044	MW	12:30-1:45	607	STAFF	08/17-12/18	OP	X03
	Lab	MW	2:00-3:15	607		08/17-12/18	OP	
Day	22045	TTh	3:30-4:45	607	OWENS	08/17-12/18	OP	X04
	Lab	TTh	5:00-6:15	607		08/17-12/18	OP	
Day	22997	MW	9:30-10:45	607	POWERS	08/17-12/18	OP	X05
	Lab	MW	11:00-12:15	607		08/17-12/18	OP	
Day	22998	MW	3:30-4:45	607	STAFF	08/17-12/18	OP	X06
	Lab	MW	5:00-6:15	607		08/17-12/18	OP	
Eve	22046	MW	6:30-7:45	607	STAFF	08/17-12/18	OP	X93
	Lab	MW	8:00-9:15	607		08/17-12/18	OP	
Eve	22999	TTh	6:30-7:45	607	STAFF	08/17-12/18	OP	X94
	Lab	TTh	8:00-9:15	607		08/17-12/18	OP	

D/E	CRN	DAYS	TIMES	ROOM	INSTRUCTOR	DATES	CODES	SEC	D/E	CRN	DAYS	TIMES	ROOM	INSTRUCTOR	DATES	CODES	SEC
-----	-----	------	-------	------	------------	-------	-------	-----	-----	-----	------	-------	------	------------	-------	-------	-----

**MATH 110 ELEMENTARY ALGEBRA 4.0 Units**

Elementary algebra concepts, including: real numbers and their properties; algebraic expressions; integer exponents; operations with polynomial expressions; operations with polynomial expressions; linear and quadratic equations; linear inequalities and set notation; graphs of linear equations and inequalities; slope; systems of linear equations and inequalities; and modeling with linear and quadratic equations.

*Strongly Recommended: MATH 107 or MATH 107B or NMAT 207 with a minimum grade of C*

*A TI-84 or TI-83 calculator or internet-based software may be required for some sections of this course. There may be a fee associated with these materials. Consult with the instructor or bookstore before registering for this course.*

*This class is offered for credit (MATH 110) or for tuition-free noncredit (NMAT 210).*

**THE FOLLOWING MATH 110 SECTIONS ARE TAUGHT IN THE MATH EMPORIUM**

Day	23000	TTh	9:30-11:20	607	PETERSON	08/17-12/18	OP	X01
Day	22396	TTh	12:30-2:20	607	GRAHAM	08/17-12/18	OP	X02
Day	23001	MW	12:30-2:20	607	STAFF	08/17-12/18	OP	X03
Day	23002	TTh	3:30-5:20	607	OWENS	08/17-12/18	OP	X04
Day	22397	MW	9:30-11:20	607	POWERS	08/17-12/18	OP	X05
Day	22398	MW	3:30-5:20	607	STAFF	08/17-12/18	OP	X06
Eve	23003	MW	6:30-8:20	607	STAFF	08/17-12/18	OP	X93
Eve	22399	TTh	6:30-8:20	607	STAFF	08/17-12/18	OP	X94

**NMAT 207 PRE-ALGEBRA 0.0 Units**

This course is intended to serve as a bridge between arithmetic and Elementary Algebra. It includes a review of arithmetic, operations involving signed integers, fractions, and decimals, variables and proportion, introduction to statistics, geometry and measurement, and application problems. Students can petition to get credit for the credit Math 107 course by examination.

*This class is offered for credit (MATH 107) or for tuition-free noncredit (NMAT 207).*

**THE FOLLOWING NMAT 207 SECTIONS ARE TAUGHT IN THE MATH EMPORIUM**

Day	23113	TTh	9:30-10:45	607	PETERSON	08/17-12/18	OP	X01
	Lab	TTh	11:00-12:15	607		08/17-12/18	OP	
Day	23114	TTh	12:30-1:45	607	GRAHAM	08/17-12/18	OP	X02
	Lab	TTh	2:00-3:15	607		08/17-12/18	OP	
Day	23116	MW	12:30-1:45	607	STAFF	08/17-12/18	OP	X03
	Lab	MW	2:00-3:15	607		08/17-12/18	OP	
Day	23117	TTh	3:30-4:45	607	OWENS	08/17-12/18	OP	X04
	Lab	TTh	5:00-6:15	607		08/17-12/18	OP	
Day	23118	MW	9:30-10:45	607	POWERS	08/17-12/18	OP	X05
	Lab	MW	11:00-12:15	607		08/17-12/18	OP	
Day	23119	MW	3:30-4:45	607	STAFF	08/17-12/18	OP	X06
	Lab	MW	5:00-6:15	607		08/17-12/18	OP	
Eve	23120	MW	6:30-7:45	607	STAFF	08/17-12/18	OP	X93
	Lab	MW	8:00-9:15	607		08/17-12/18	OP	
Eve	23121	TTh	6:30-7:45	607	STAFF	08/17-12/18	OP	X94
	Lab	TTh	8:00-9:15	607		08/17-12/18	OP	

**NMAT 210 ELEMENTARY ALGEBRA 0.0 Units**

Elementary algebra concepts, including: real numbers and their properties; algebraic expressions; integer exponents; operations with polynomial expressions; linear and quadratic equations; linear inequalities and set notation; graphs of linear equations and inequalities; slope; systems of linear equations and inequalities; and modeling with linear and quadratic equations. Students can petition to get credit for the Math 110 Elementary Algebra course by examination.

*Strongly Recommended: NMAT 207 or MATH 107 or MATH 107B with a minimum grade of C*

*This class is offered for credit (MATH 210) or for tuition-free noncredit (NMAT 210).*

**THE FOLLOWING NMAT 210 SECTIONS ARE TAUGHT IN THE MATH EMPORIUM**

Day	23123	TTh	9:30-11:20	607	PETERSON	08/17-12/18	OP	X01
Day	23124	TTh	12:30-2:20	607	GRAHAM	08/17-12/18	OP	X02

Day	23125	MW	12:30-2:20	607	STAFF	08/17-12/18	OP	X03
Day	23126	TTh	3:30-5:20	607	OWENS	08/17-12/18	OP	X04
Day	23127	MW	9:30-11:20	607	POWERS	08/17-12/18	OP	X05
Day	23128	MW	3:30-5:20	607	STAFF	08/17-12/18	OP	X06
Eve	23129	MW	6:30-8:20	607	STAFF	08/17-12/18	OP	X93
Eve	23130	TTh	6:30-8:20	607	STAFF	08/17-12/18	OP	X94

**NMAT 255 INTERMEDIATE ALGEBRA FOR BSTEM 0.0 Units**

Intermediate Algebra concepts, in the service of Business, Science, Technology, Engineering and Math fields (BSTEM), will be explored in this course including: an introduction to functions; linear and absolute value functions; absolute value equations and inequalities; compound linear inequalities; rational expressions, functions and equations; radical expressions, functions and equations; rational exponents; complex numbers; quadratic functions and equations; inverse of a function; exponential and logarithmic functions; properties of logarithms; exponential and logarithmic equations; conic sections; and systems of equations and inequalities. Multiple representations, applications and modeling with functions are emphasized throughout. Students can petition to get credit for the Math 55 Intermediate Algebra for BSTEM course by examination.

*Strongly Recommended: NMAT 210 or MATH 110 or MATH 110B with a minimum grade of C*

*A TI-84 or TI-83 calculator or internet-based software may be required for some sections of this course. There may be a fee associated with these materials. Consult with the instructor or bookstore before registering for this course.*

*This course is offered for credit (MATH 55) or for tuition-free noncredit (NMAT 255).*

**THE FOLLOWING NMAT 255 COURSES ARE TAUGHT IN THE MATH EMPORIUM**

Day	23103	TTh	9:30-11:45	607	PETERSON	08/17-12/18	OP	X01
Day	23104	TTh	12:30-2:45	607	GRAHAM	08/17-12/18	OP	X02
Day	23105	MW	12:30-2:45	607	STAFF	08/17-12/18	OP	X03
Day	23106	TTh	3:30-5:45	607	OWENS	08/17-12/18	OP	X04
Day	23107	MW	9:30-11:45	607	POWERS	08/17-12/18	OP	X05
Day	23108	MW	3:30-5:45	607	STAFF	08/17-12/18	OP	X06
Eve	23110	MW	6:30-8:45	607	STAFF	08/17-12/18	OP	X93
Eve	23111	TTh	6:30-8:45	607	STAFF	08/17-12/18	OP	X94

**LECTURE AND HYBRID CLASSES**

Classes taken in these modes are guided by the instructor. Students in a lecture class will meet 2-3 times a week as scheduled. Students in Hybrid Classes will meet as scheduled and will need to complete the remainder of the course online. Hybrid courses are marked with section IDs of HD#.

Students will be required to purchase internet-based software for hybrid math classes. For more information, see the section titled "Online Learning" in this schedule, or go to <http://www.laspositascollege.edu/onlinelearning>.

For some lecture classes, a TI-84 or TI-83 calculator or internet-based software may be required for some sections of a course. There may be a fee associated with these materials. Consult with the instructor or bookstore before registering for this course.

**MATH I CALCULUS I 5.0 Units**

An introduction to single-variable differential and integral calculus including: functions, limits and continuity; techniques and applications of differentiation and integration; the Fundamental Theorem of Calculus; areas and volumes of solids of revolution.

*Prerequisite: MATH 30 and MATH 39 or MATH 38 with a minimum grade of C*

*Math I includes an introduction to integration and its application to areas and volumes. Any student enrolling in this course should be aware that the content may differ from a similar course taught at other schools. If you are not an LPC student, check with the Mathematics Department at your school to be sure this course is similar to the one taught there. This LPC calculus course is taught with late transcendentals.*

*A TI-84 or TI-83 calculator or internet-based software may be required for some sections of this course. There may be a fee associated with these materials. Consult with the instructor or bookstore before registering for this course.*

D/E	CRN	DAYS	TIMES	ROOM	INSTRUCTOR	DATES	CODES	SEC
Day	20067	MW	11:00-12:20	1060	FRATES	08/17-12/18	GR	V01
		Fri	11:00-12:30	1060		08/17-12/18	GR	
Day	20187	MWF	9:30-10:55	1001	FRATES	08/17-12/18	GR	V02
Day	22035	TTh	11:00-1:15	1873	OWENS	08/17-12/18	GR	V03
Day	22805	TTh	8:00-10:15	1001	POWERS	08/17-12/18	GR	V04
Eve	20068	MW	7:30-9:45	1874	STAFF	08/17-12/18	GR	093
Eve	22382	TTh	5:00-7:15	1001	STAFF	08/17-12/18	GR	094
Eve	22806	TTh	7:30-9:45	1874	STAFF	08/17-12/18	GR	095

**MATH 2 CALCULUS II 5.0 Units**

Continuation of single-variable differential and integral calculus. Topics covered include: inverse and hyperbolic functions; techniques of integration; polar and parametric equations; infinite sequences, series, power series and Taylor series; applications of integration. Primarily for mathematics, physical science and engineering majors.

Prerequisite: MATH 1 with a minimum grade of C

It is expected that any student enrolling in Math 2 has had a Calculus I course which included an introduction to integration and its application to areas and volumes. This LPC course is taught with late transcendentals.

A TI-84 or TI-83 calculator or internet-based software may be required for some sections of this course. There may be a fee associated with these materials. Consult with the instructor or bookstore before registering for this course.

Day	20120	MWF	11:00-12:25	1001	SINGH	08/17-12/18	GR	V01
Day	22383	MWF	9:30-10:55	1873	OLAVARRIETA	08/17-12/18	GR	V02
Day	22036	TTh	11:00-1:15	1001	MAJUMDAR	08/17-12/18	GR	V03
Eve	20188	MW	7:30-9:45	1873	STAFF	08/17-12/18	GR	093
Eve	23062	TTh	5:00-7:15	1873	STAFF	08/17-12/18	GR	094

**MATH 3 MULTIVARIABLE CALCULUS 5.0 Units**

Vector valued functions, functions of several variables, partial differentiation, multiple integration, change of variables theorem, scalar and vector fields, gradient, divergence, curl, line integral, surface integral, Green's Stokes' and divergence theorem, applications.

Prerequisite: MATH 2 with a minimum grade of C

A TI-84 or TI-83 Calculator may be required for this course. Consult with the instructor before buying a calculator for this course.

Day	21584	MWF	11:00-12:25	1873	MAJUMDAR	08/17-12/18	GR	V01
Eve	20069	MW	7:30-9:45	1001	MORRIS	08/17-12/18	GR	093
Eve	22155	TTh	5:00-6:15	*	POWERS	08/17-12/18	GR	094

\*MATH 3-094 meets offsite at AMADOR VALLEY HIGH SCHOOL, 1155 SANTA RITA ROAD, PLEASANTON, CA

MATH 3-094 will be held at Amador Valley High School in Room H2. This class is intended for high school students who have completed Calculus BC with a grade of C or higher. This is a 5-unit year-long course. Students will receive an IP (in-progress) grade at the end of the Fall 2019 semester and a final grade at the end of the Spring 2020 semester. Students MUST enroll in the second half of the class for the spring semester to receive credit (CRN to be determined). High school students wishing to take this section should work with their high schools to complete concurrent enrollment paperwork to apply and/or enroll at Las Positas College. After applying and/or enrolling and receiving a student W#, high school students should contact the instructor, David Powers at dpowers@laspositascollege.edu to verify that the MATH 2 (Calculus BC) prerequisite has been met.

**MATH 5 ORDINARY DIFFERENTIAL EQUATION 3.5 Units**

Introduction to differential equations including the conditions under which a unique solution exists, techniques for obtaining solutions, and applications. Techniques include generation of series, solutions, use of Laplace Transforms, and the use of eigenvalues to solve linear systems. Generation of exact solutions, approximate solutions, and graphs of solutions using MATLAB.

Prerequisite: MATH 3 with a minimum grade of C

A TI-84 or TI-83 calculator may be required for this course. Consult with the instructor before buying a calculator for this course.

Day	20243	Mon	11:00-12:50	2414	STAFF	08/17-12/18	GR	V01
		Wed	11:00-11:50	2414		08/17-12/18	GR	
		Lab Wed	12:00-1:15	2414		08/17-12/18	GR	

**MATH 7 ELEMENTARY LINEAR ALGEBRA 3.5 Units**

An introduction to linear algebra including: techniques and theory needed to solve and classify systems of linear equations using Gaussian elimination and matrix algebra; properties of vectors in n-dimensions; generalized vector spaces, inner product spaces, basis, norms, orthogonality; eigenvalues, eigenspaces; and linear transformations. Selected applications of linear algebra, including the use of MATLAB to solve problems involving advanced numerical computation.

Prerequisite: MATH 2 with a minimum grade of C

A TI-84 or TI-83 Calculator may be required for this course. Consult with the instructor before buying a calculator for this course.

Day	23192	Tue	8:00-9:50	2414	STAFF	08/17-12/18	GR	V01
		Th	8:00-8:50	2414		08/17-12/18	GR	
		Lab Th	9:00-10:15	2414		08/17-12/18	GR	
Eve	20244	Tue	5:00-6:50	2414	MORRIS	08/17-12/18	GR	093
		Th	5:00-5:50	2414		08/17-12/18	GR	
		Lab Th	6:00-7:15	2414		08/17-12/18	GR	

**MATH 10 DISCRETE MATHEMATICS 4.0 Units**

Designed for majors in mathematics and computer science, this course provides an introduction to discrete mathematical structures used in Computer Science and their applications. Course content includes: Propositional and predicate logic; rules of inference; quantifiers; elements of integer number theory; set theory; methods of proof; induction; combinatorics and discrete probability; functions and relations; recursive definitions and recurrence relations; elements of graph theory and trees. Applications include: analysis of algorithms, Boolean algebras and digital logic circuits. Students who have completed, or are enrolled in, CS 17 may not receive credit.

Prerequisite: MATH 1 and CS 1 with a minimum grade of C (May be taken concurrently)

A TI-84 or TI-83 calculator may be required for this course. Consult with the instructor before buying a calculator for this course.

Eve	22807	Tue	7:30-9:45	2414	MORRIS	08/17-12/18	GR	093
		Th	7:30-8:45	2414		08/17-12/18	GR	
		Lab Th	8:55-9:45	2414		08/17-12/18	GR	

**MATH 30 COLLEGE ALGEBRA FOR STEM 4.0 Units**

College algebra core concepts relating to Science, Technology, Engineering and Mathematics (STEM) and Business fields are explored, such as: polynomial, rational, radical, exponential, absolute value, and logarithmic functions; systems of equations; theory of polynomial equations; and analytic geometry. Multiple representations, applications and modeling with functions are emphasized throughout. May not receive credit if Mathematics 20 or 45 have been completed.

Prerequisite: MATH 55 or MATH 55B or NMAT 255 with a minimum grade of C

A TI-84 or TI-83 calculator or internet-based software may be required for some sections of this course. There may be a fee associated with these materials. Consult with the instructor or bookstore before registering for this course.

Day	22384	Mon	9:30-10:20	102	STAFF	08/17-12/18	GR	V01
		Wed	10:00-11:15	102		08/17-12/18	GR	
		Fri	10:00-11:15	102		08/17-12/18	GR	
		Lab Mon	10:25-11:15	102		08/17-12/18	GR	
Day	22385	MW	1:30-2:45	102	STAFF	08/17-12/18	GR	V02
		Fri	1:30-2:20	102		08/17-12/18	GR	
		Lab Fri	2:30-3:20	102		08/17-12/18	GR	
Day	22386	Mon	3:00-5:15	503	STAFF	08/17-12/18	GR	V03
		Wed	3:00-4:15	503		08/17-12/18	GR	
		Lab Wed	4:25-5:15	503		08/17-12/18	GR	
Day	22388	Tue	8:30-10:45	1826	FRATES	08/17-12/18	GR	V04
		Th	8:30-9:45	1826		08/17-12/18	GR	
		Lab Th	9:55-10:45	1826		08/17-12/18	GR	
Day	22389	Tue	1:00-3:15	102	POWERS	08/17-12/18	GR	V05
		Th	1:00-2:15	102		08/17-12/18	GR	
		Lab Th	2:25-3:15	102		08/17-12/18	GR	



D/E	CRN	DAYS	TIMES	ROOM	INSTRUCTOR	DATES	CODES	SEC	D/E	CRN	DAYS	TIMES	ROOM	INSTRUCTOR	DATES	CODES	SEC
Day	22809	MW	8:00-9:15	1003	MAJUMDAR	08/17-12/18	GR	V06	Day	22814	Tue	1:30-3:45	1001	STAFF	08/17-12/18	GR	V06
		Fri	8:00-8:50	1003		08/17-12/18	GR				Th	1:30-2:45	1001		08/17-12/18	GR	
		Lab	Fri	9:00-9:50	1003		GR				Lab	Th	2:55-3:45	1001		GR	
Day	22810	Mon	10:30-11:20	1004	WOODS	08/17-12/18	GR	C11	Day	22815	Tue	8:00-10:15	1873	STAFF	08/17-12/18	GR	V07
		Lab	Mon	11:30-12:20	1004		GR				Th	8:00-9:15	1873		08/17-12/18	GR	
		WF	10:30-11:45	1004		08/17-12/18	GR				Lab	Th	9:25-10:15	1873		GR	

MATH 30-C11 is designed specifically for students pursuing a degree or transfer in a STEM Field, with emphasis towards supporting the completion of the A.S. Engineering Technology degree. The material in this course therefore will be heavily contextualized in STEM applications, with emphasis in engineering technology.

**THIS COURSE MUST BE TAKEN CONCURRENTLY WITH MATH 101C-C11** a 1-unit support course that will prepare students for the rigor of the STEM pathways and learning skills necessary to succeed in college courses. Ideally students that enroll in this section are also interested in enrolling in Math 39-C11 with support Math 101C-C11 offered in the following Spring.

Eve	22390	Mon	5:30-7:45	2470	STAFF	08/17-12/18	GR	093
		Wed	5:30-6:45	2470		08/17-12/18	GR	
		Lab	Wed	6:55-7:45	2470		GR	
Eve	22391	Tue	7:30-9:45	1060	STAFF	08/17-12/18	GR	094
		Th	7:30-8:45	1060		08/17-12/18	GR	
		Lab	Th	8:55-9:45	1060		GR	

**MATH 34 CALC FOR BUS AND SOC SCIENCES 5.0 Units**

Functions and their graphs; limits of functions; differential and integral calculus of algebraic, exponential and logarithmic functions. Applications in business, economics, and social sciences and use of graphing calculators. Partial derivatives and the method of Lagrange multipliers.

Prerequisite: MATH 55 or MATH 55B with a minimum grade of C

A TI-84 or TI-83 calculator or internet-based software may be required for some sections of this course. There may be a fee associated with these materials. Consult with the instructor or bookstore before registering for this course.

Day	21585	MWF	8:00-9:25	1001	STAFF	08/17-12/18	GR	V01
Day	21513	MWF	12:30-1:55	1873	STAFF	08/17-12/18	GR	V02
Day	22037	TTh	2:00-4:15	1873	STAFF	08/17-12/18	GR	V03
Day	22812	MW	2:00-4:15	1060	STAFF	08/17-12/18	GR	V04
Eve	23591	TTh	6:30-8:45	1003	BLUMENFELD	08/17-12/18	GR	093
Eve	22811	Wed	5:00-7:15	2450	BLUMENFELD	08/17-12/18	GR	HDI

**ONLINE / HYBRID 08/17-12/18 GR**

MATH 34-HDI is a HYBRID course. Students will meet on campus on the days/times indicated above. The remainder of the course will be completed online. Students may be required to purchase internet-based software for this class. For more information, see the section titled "Online Learning" in this schedule, or go to <http://www.laspositascollege.edu/onlinelearning>.

**MATH 39 TRIGONOMETRY 4.0 Units**

Trigonometry includes definitions of the trigonometric functions and their inverses, graphs of the trigonometric functions and their inverses, trigonometric equations, trigonometric expressions and identities, including proofs, an introduction to vectors, polar coordinates and complex numbers. Applications include solving right triangles and solving triangles using the law of sines and the law of cosines.

Prerequisite: MATH 55 or MATH 55B with a minimum grade of C.

A TI-84 or TI-83 calculator or internet-based software may be required for some sections of this course. There may be a fee associated with these materials. Consult with the instructor or bookstore before registering for this course.

Day	21841	MW	8:00-9:15	102	STAFF	08/17-12/18	GR	V01
		Fri	8:00-8:50	102		08/17-12/18	GR	
		Lab	Fri	9:00-9:50	102		GR	
Day	21842	MW	12:30-1:45	1873	OLAVARRIETA	08/17-12/18	GR	V02
		Fri	12:30-1:20	1873		08/17-12/18	GR	
		Lab	Fri	1:30-2:20	1873		GR	
Day	21843	Mon	3:00-5:15	2470	STAFF	08/17-12/18	GR	V03
		Wed	3:00-4:15	2470		08/17-12/18	GR	
		Lab	Wed	4:25-5:15	2470		GR	
Day	21844	Tue	10:30-12:45	102	OLAVARRIETA	08/17-12/18	GR	V04
		Th	10:30-11:45	102		08/17-12/18	GR	
		Lab	Th	11:55-12:45	102		GR	

Eve	21845	Mon	8:00-10:15	2470	STAFF	08/17-12/18	GR	093
		Wed	8:00-9:15	2470		08/17-12/18	GR	
		Lab	Wed	9:25-10:15	2470		GR	
Eve	22227	Tue	5:00-7:15	2470	STAFF	08/17-12/18	GR	095
		Th	5:00-6:15	2470		08/17-12/18	GR	
		Lab	Th	6:25-7:15	2470		GR	

**MATH 40 STATISTICS AND PROBABILITY 4.0 Units**

Descriptive statistics, including measures of central tendency, dispersion and position; elements of probability; confidence intervals; hypothesis tests; two-population comparisons; correlation and regression; goodness of fit; analysis of variance; applications in various fields. Introduction to the use of a computer software package to complete both descriptive and inferential statistics problems.

Prerequisites: Math 50 or Math 55 or Math 55B with a minimum grade of C

A TI-84 or TI-83 calculator or internet-based software may be required for some sections of this course. There may be a fee associated with these materials. Consult with the instructor or bookstore before registering for this course.

Day	22500	MW	8:00-9:15	1002	STAFF	08/17-12/18	GR	V01
		Fri	8:00-8:50	1002		08/17-12/18	GR	
		Lab	Fri	9:00-9:50	1002		GR	
Day	21331	Mon	9:30-11:45	1002	MCHALE	08/17-12/18	GR	V02
		Wed	9:30-10:45	1002		08/17-12/18	GR	
		Lab	Wed	10:55-11:45	1002		GR	
Day	21925	Mon	12:30-1:20	1004	WOODS	08/17-12/18	GR	V03
		WF	12:30-1:45	1004		08/17-12/18	GR	
		Lab	Mon	1:30-2:20	1004		GR	
Day	21332	Tue	8:30-10:45	1002	GRAHAM	08/17-12/18	GR	V04
		Th	8:30-9:45	1002		08/17-12/18	GR	
		Lab	Th	9:55-10:45	1002		GR	
Day	21333	Tue	11:00-1:15	1002	WOODS	08/17-12/18	GR	V05
		Th	11:00-12:15	1002		08/17-12/18	GR	
		Lab	Th	12:25-1:15	1002		GR	
Day	21334	Tue	2:00-4:15	2414	STAFF	08/17-12/18	GR	V06
		Th	2:00-3:15	2414		08/17-12/18	GR	
		Lab	Th	3:25-4:15	2414		GR	
Day	22233	MW	12:00-1:15	1002	STAFF	08/17-12/18	GR	V07
		Fri	11:00-11:50	1002		08/17-12/18	GR	
		Lab	Fri	12:00-12:50	1002		GR	
Day	22817	Mon	8:00-10:15	2416	STAFF	08/17-12/18	GR	V08
		Wed	8:00-9:15	2416		08/17-12/18	GR	
		Lab	Wed	9:25-10:15	2416		GR	
Day	22819	Tue	11:00-1:15	2414	SINGH	08/17-12/18	GR	V09
		Th	11:00-12:15	2414		08/17-12/18	GR	
		Lab	Th	12:25-1:15	2414		GR	
Day	22818	Tue	2:00-4:15	1002	YOUNG	08/17-12/18	GR	V10
		Th	2:00-3:15	1002		08/17-12/18	GR	
		Lab	Th	3:25-4:15	1002		GR	
Day	23218	Mon	8:30-10:45	2414	SINGH	08/17-12/18	GR	V11
		Lab	Wed	9:55-10:45	2414		GR	
		Wed	8:30-9:45	2414		08/17-12/18	GR	
Day	23226	Tue	11:00-1:15	1004	STAFF	08/17-12/18	GR	V12
		Th	11:00-12:15	1004		08/17-12/18	GR	
		Lab	Th	12:25-1:15	1004		GR	
Day	23225	Tue	2:00-4:15	1004	STAFF	08/17-12/18	GR	V13
		Th	2:00-3:15	1004		08/17-12/18	GR	
		Lab	Th	3:25-4:15	1004		GR	
Day	23256	Mon	2:00-4:35	1002	STAFF	08/17-12/18	GR	V14
		Wed	2:00-3:25	1002		08/17-12/18	GR	
		Lab	Wed	3:35-4:35	1002		GR	

D/E	CRN	DAYS	TIMES	ROOM	INSTRUCTOR	DATES	CODES	SEC	D/E	CRN	DAYS	TIMES	ROOM	INSTRUCTOR	DATES	CODES	SEC
Eve	21586	Mon	5:00-7:15	2414	STAFF	08/17-12/18	GR	093									
		Wed	5:00-6:15	2414		08/17-12/18	GR						503		08/17-12/18	GR	
		Lab Wed	6:25-7:15	2414		08/17-12/18	GR						503		08/17-12/18	GR	
Eve	21336	Mon	5:00-7:15	1004	STAFF	08/17-12/18	GR	094									
		Wed	5:00-6:15	1004		08/17-12/18	GR										
		Lab Wed	6:25-7:15	1004		08/17-12/18	GR										
Eve	21337	Tue	5:00-7:15	1002	YOUNG	08/17-12/18	GR	095									
		Th	5:00-6:15	1002		08/17-12/18	GR										
		Lab Th	6:25-7:15	1002		08/17-12/18	GR										
Eve	21338	Mon	7:30-9:45	2414	STAFF	08/17-12/18	GR	096									
		Wed	7:30-8:45	2414		08/17-12/18	GR										
		Lab Wed	8:55-9:45	2414		08/17-12/18	GR										
Eve	22501	Tue	7:30-9:45	1002	YOUNG	08/17-12/18	GR	097									
		Th	7:30-8:45	1002		08/17-12/18	GR										
		Lab Th	9:00-9:50	1002		08/17-12/18	GR										
Eve	21335	Mon	4:00-6:15	2416	STAFF	08/17-12/18	GR	098									
		Wed	4:00-5:15	2416		08/17-12/18	GR										
		Lab Wed	5:25-6:15	2416		08/17-12/18	GR										
Day	21339	Mon	1:00-2:50	2414	AUGUST	08/17-12/18	GR	HD1									
			ONLINE / HYBRID			08/17-12/18	GR										

*Math 40-HD1 is a HYBRID course. Students will meet on campus on the days/times indicated above. The remainder of the course will be completed online. Students may be required to purchase internet-based software for this class. For more information, see the section titled "Online Learning" in this schedule, or go to <http://www.laspositascollege.edu/onlinelearning>.*

Day	22816	Mon	3:00-4:50	2414	AUGUST	08/17-12/18	GR	HD3
			ONLINE / HYBRID			08/17-12/18	GR	

*Math 40-HD3 is a HYBRID course. Students will meet on campus on the days/times indicated above. The remainder of the course will be completed online. Students may be required to purchase internet-based software for this class. For more information, see the section titled "Online Learning" in this schedule, or go to <http://www.laspositascollege.edu/onlinelearning>.*

Eve	21501	Mon	5:30-7:20	1002	GRAHAM	08/17-12/18	GR	HD2
			ONLINE / HYBRID			08/17-12/18	GR	

*Math 40-HD2 is a HYBRID course. Students will meet on campus on the days/times indicated above. The remainder of the course will be completed online. Students may be required to purchase internet-based software for this class. For more information, see the section titled "Online Learning" in this schedule, or go to <http://www.laspositascollege.edu/onlinelearning>.*

Web	23224	ONLINE	AUGUST	08/17-12/18	GR	DE1
-----	-------	--------	--------	-------------	----	-----

*Math 40-DE1 is an ONLINE course. Students will be required to take proctored exams using Proctorio throughout the course. Proctorio requires a desktop or laptop computer with a webcam and audio settings enabled when taking exams. For more information on Proctorio, please visit: <http://www.laspositascollege.edu/onlinelearning/onlineproctoring.php> For more information, see the section titled "Online Learning" in this schedule, or go to <http://www.laspositascollege.edu/onlinelearning>.*

**MATH 47 MATHEMATICS FOR LIBERAL ARTS 3.0 Units**

An introduction to a variety of mathematical concepts for students interested in liberal arts. Intended to cultivate an appreciation of the significance of mathematics in daily life and help develop students' mathematical reasoning. Topics include personal finance, probability and statistics, logic, exponential growth, and graph theory.

*Prerequisite: MATH 55 or MATH 55B or MATH 50 with a minimum grade of C*

*A TI-84 or TI-83 calculator or internet-based software may be required for some sections of this course. There may be a fee associated with these materials. Consult with the instructor or bookstore before registering for this course.*

Day	21587	Mon	3:30-5:20	1003	STAFF	08/17-12/18	GR	V01
		Wed	3:30-4:20	1003		08/17-12/18	GR	
		Lab Wed	4:30-5:20	1003		08/17-12/18	GR	
Day	21588	Tue	10:00-11:50	1003	STAFF	08/17-12/18	GR	V02
		Th	10:00-10:50	1003		08/17-12/18	GR	
		Lab Th	11:00-11:50	1003		08/17-12/18	GR	
Day	23221	Mon	8:00-9:50	1814	PETERSON	08/17-12/18	GR	V03
		Wed	8:00-8:50	1814		08/17-12/18	GR	
		Lab Wed	9:00-9:50	1814		08/17-12/18	GR	
Eve	21589	Mon	5:30-7:20	503	STAFF	08/17-12/18	GR	093

**MATH 50 INTERMEDIATE ALGEBRA FOR SLAM 4.0 Units**

This is an Intermediate Algebra course for students interested in fields of study that require Statistics or Liberal Arts Mathematics (SLAM). Intermediate algebra concepts will be explored in the context of the function. Function concepts covered include: distinction between functions and relations, domain and range, function notation, multiple representation of functions, behavior of functions, operations with functions (including composition), one-to-one and invertible functions. Types of functions considered: polynomial, rational, radical, exponential and logarithmic functions. The course quantitative data. Standards for mathematical practice, applications of functions, and modeling with functions are emphasized throughout.

*Strongly Recommended: MATH 110 or MATH 110B or NMAT 210 with a minimum grade of C*

*A TI-84 or TI-83 calculator or internet-based software will be required for all sections of this course. There may be a fee associated with these materials. Consult with the instructor before purchasing materials for this course.*

*This class is offered for credit (MATH 50) or for tuition-free noncredit (NMAT 250).*

Day	21846	MWF	10:00-10:50	1814	YOUNG	08/17-12/18	OP	V01
		Lab MWF	11:00-11:50	1814		08/17-12/18	OP	
Eve	21847	TTh	6:30-7:45	1004	STAFF	08/17-12/18	OP	093
		Lab TTh	8:00-9:15	1004		08/17-12/18	OP	

*MATH 50-093 is specifically designed for Early Care and Education majors. The content of this course will be contextualized to the early childhood profession and its teachers.*

**MATH 55 INTERMEDIATE ALGEBRA FOR BSTEM 5.0 Units**

Intermediate algebra concepts, in the service of Business, Science, Technology, Engineering and Math (BSTEM) will be explored in this course including: an introduction to functions; linear and absolute value functions; absolute value equations and inequalities; compound linear inequalities; rational expressions, functions and equations; radical expressions, functions and equations; rational exponents; complex numbers; quadratic functions and equations; inverse of a function; exponential and logarithmic functions; properties of logarithms; exponential and logarithmic equations; conic sections; and systems of equations and inequalities. Multiple representations, applications and modeling with functions are emphasized throughout.

*Strongly Recommended: MATH 110 or MATH 110B or NMAT 210 with a minimum grade of C*

*A TI-84 or TI-83 calculator or internet-based software may be required for some sections of this course. There may be a fee associated with these materials. Consult with the instructor or bookstore before registering for this course.*

Day	22392	TTh	8:00-10:15	1814	STAFF	08/17-12/18	OP	V01
Day	20372	MWF	12:00-1:25	1003	MCHALE	08/17-12/18	OP	C12

*STUDENTS MUST ALSO ENROLL IN MATH 55C-C12.*

*MATH 55-C12 is designed specifically for students in the Middle College program requiring Algebra, and students wanting embedded support for intermediate algebra. This course must be taken concurrently with Math 55C-C12, a 1-unit support course that will prepare students for the rigor of college-level work and the learning skills necessary to succeed in college courses.*

Eve	20189	MW	7:30-9:45	1003	STAFF	08/17-12/18	OP	093
-----	-------	----	-----------	------	-------	-------------	----	-----

**ALL CONCURRENT SUPPORT COURSES**

*These STRONGLY RECOMMENDED 1-unit lab courses are aligned with your math course and designed with innovative strategies to provide math and learning support while taking a math course. Whether your math class is foundational or transfer level, the concurrent support provides assistance in understanding the content in your current math course while learning essential study skills necessary to succeed in college courses.*

*These classes are offered for credit or tuition-free (noncredit), with the exception of MATH 66C, 67C, and 68C.*

D/E	CRN	DAYS	TIMES	ROOM	INSTRUCTOR	DATES	CODES	SEC	D/E	CRN	DAYS	TIMES	ROOM	INSTRUCTOR	DATES	CODES	SEC
-----	-----	------	-------	------	------------	-------	-------	-----	-----	-----	------	-------	------	------------	-------	-------	-----

**MATH 55C CONCURRENT SUPPORT INT.ALGEBRA 1.0 Units**

This course is concurrent support for Intermediate Algebra. The course is designed to provide additional, formal support to students who are currently taking an Intermediate Algebra. It includes a review of arithmetic, algebraic and geometric concepts that are relevant to their Intermediate Algebra course, study strategies that promote understanding and improve performance, and more in-depth investigation of core concepts that are difficult for students to master. Embedded are learning skills such as growth mindset, brain research, time management, study skills, test taking, math anxiety and more.

Corequisite: MATH 55 or NMAT 255 or MATH 50 or NMAT 50

Day	23600	Lab	MWF	1:30-2:20	1003	MCHALE	08/17-12/18	P/N	C12
-----	-------	-----	-----	-----------	------	--------	-------------	-----	-----

STUDENTS MUST ALSO ENROLL IN MATH 55-C12.

Math 55C-C12 is specifically for students enrolled in Math 55-C12. This 1-unit support course is designed to prepare students for the rigor of college-level work and the learning skills necessary to succeed in college courses.

**MATH 66C SUPPORT FOR CALCULUS I 1.0 Units**

This course offers structured support to students who are concurrently enrolled in Calculus I. The support course includes material to prepare students for the rigor of the calculus course by teaching learning skills necessary to succeed in college courses as well as review of relevant prerequisite algebraic, geometric and trigonometric concepts, and more in-depth investigation of core concepts in their concurrent math course.

Corequisite: MATH 1 - This is a one-way corequisite for Math 1. However, not everyone taking Math 1 would have to take this Math 66C concurrent support course.

MATH 66C is a **STRONGLY RECOMMENDED** support course for students currently enrolled in Math 1, Math 2 or Math 3. This 1-unit lab is designed to prepare students for the rigor of the Calculus math sequence and learning skills necessary to succeed in college courses. Aligned with your math course and designed with innovative strategies to provide math and learning support while you are taking your math course.

Day	23045	Lab	MWF	9:30-10:20	601	WOODS	08/17-12/18	P/N	C02
Day	23047	Lab	TTh	9:00-10:15	601	STAFF	08/17-12/18	P/N	C07
Eve	23046	Lab	MW	5:00-6:15	601	STAFF	08/17-12/18	P/N	C06
Eve	23048	Lab	TTh	6:00-7:15	601	STAFF	08/17-12/18	P/N	C10

**MATH 67C CONCURRENT SUPPORT CALCULUS II 1.0 Units**

This course offers structured support to students who are concurrently enrolled in Calculus II. The support course includes material to prepare students for the rigor of the calculus course by teaching learning skills necessary to succeed in college courses as well as review of relevant prerequisite algebraic, geometric and trigonometric concepts, and more concurrent math course.

Corequisite: MATH 2 - This is a one-way corequisite for Math 2. Everyone taking this Math 67C concurrent support course must be taking a Math 2 class concurrently. However, not everyone taking Math 2 would have to take this Math 67C concurrent support course.

Day	23602	Lab	MWF	9:30-10:20	601	WOODS	08/17-12/18	P/N	C02
Day	23604	Lab	TTh	9:00-10:15	601	STAFF	08/17-12/18	P/N	C07
Eve	23603	Lab	MW	5:00-6:15	601	STAFF	08/17-12/18	P/N	C06
Eve	23605	Lab	TTh	6:00-7:15	601	STAFF	08/17-12/18	P/N	C10

**MATH 68C CONCURRENT SUPPORT CALCULUS III 1.0 Units**

This course offers structured support to students who are concurrently enrolled in Calculus III. The support course includes material to prepare students for the rigor of the calculus course by teaching learning skills necessary to succeed in college courses as well as review of relevant prerequisite algebraic, geometric and trigonometric concepts, and more in-depth investigation of core concepts in their concurrent math course.

Corequisite: MATH 3 This is a one-way corequisite for Math 3. Everyone taking this Math 68C concurrent support course must be taking a Math 3 class concurrently. However, not everyone taking Math 3 would have to take this Math 68C concurrent support course.

Day	23606	Lab	MWF	9:30-10:20	601	WOODS	08/17-12/18	P/N	C02
Day	23608	Lab	TTh	9:00-10:15	601	STAFF	08/17-12/18	P/N	C07
Eve	23607	Lab	MW	5:00-6:15	601	STAFF	08/17-12/18	P/N	C06
Eve	23609	Lab	TTh	6:00-7:15	601	STAFF	08/17-12/18	P/N	C10

**MATH 100C CONCURRENT SUPPORT SLAM MATH 1.0 Units**

This course is concurrent support for Elementary Algebra. The course is designed to provide additional, formal support to students who are currently taking an Elementary Algebra. It includes a review of arithmetic, algebraic and geometric concepts that are relevant to their Elementary Algebra course, study strategies that promote understanding and improve performance, and more in-depth investigation of core concepts that are difficult for students to master. Embedded are learning skills such as growth mindset, brain research, time management, study skills, test taking, math anxiety and more.

Corequisite: MATH 110 - This is a one-way corequisite for Math 110. Everyone taking this MATH 110C concurrent support course must be taking a Math 110 class concurrently. However, not everyone taking Math 110 would have to take this Math 110C concurrent support course.

- or Corequisite: NMAT 210 This is a one-way corequisite for NMAT 210. Everyone taking this MATH 110C concurrent support course must be taking a NMAT 210 class concurrently. However, not everyone taking NMAT 210 would have to take this MATH 110C concurrent support course.

MATH 100C is a **STRONGLY RECOMMENDED** support course for students currently enrolled in Math 40, Math 47 or Math. This 1-unit lab is designed to prepare students for the rigor of the SLAM (Statistics, Liberal Arts Math) transfer-level courses and learning skills necessary to succeed in college courses. Aligned with your math course and designed with innovative strategies to provide math and learning support while you are taking your math course.

This class is offered for credit (MATH 100C) or for tuition-free noncredit (NMAT 200C).

Day	23017	Lab	TTh	2:00-3:15	601	PETERSON	08/17-12/18	P/N	C01
Day	23018	Lab	MWF	9:30-10:20	601	STAFF	08/17-12/18	P/N	C02
Day	23019	Lab	MWF	10:30-11:20	601	STAFF	08/17-12/18	P/N	C03
Day	23020	Lab	MW	2:00-3:15	601	STAFF	08/17-12/18	P/N	C04
Day	23021	Lab	MW	3:30-4:45	601	STAFF	08/17-12/18	P/N	C05
Day	23023	Lab	TTh	9:00-10:15	601	STAFF	08/17-12/18	P/N	C07
Day	23024	Lab	TTh	10:30-11:45	601	STAFF	08/17-12/18	P/N	C08
Day	23025	Lab	TTh	3:30-4:45	601	STAFF	08/17-12/18	P/N	C09
Eve	23022	Lab	MW	5:00-6:15	601	STAFF	08/17-12/18	P/N	C06
Eve	23026	Lab	TTh	6:00-7:15	601	STAFF	08/17-12/18	P/N	C10

**MATH 101C CONCURRENT SUPPORT BSTEM MATH 1.0 Units**

Concurrent Support for BSTEM Mathematics is for students interested in Business, Science, Technology, Engineering and Mathematical fields. This course offers structured support to students who are concurrently enrolled in a first-level transfer course, such as College Algebra, Trigonometry, and Business Calculus. The support course includes material to prepare students for the rigor of the transfer math course by teaching learning skills necessary to succeed in college courses as well as review of relevant prerequisite algebraic and geometric concepts, and more in-depth investigation of core concepts in their concurrent math course.

Corequisite: MATH 30 This is a one-way corequisite for Math 30. Everyone taking this NMAT 201C concurrent support course must be taking a Math 30, Math 39 or Math 34 class concurrently. However, not everyone taking Math 30 would have to take this NMAT 201C concurrent support course.

- Or MATH 39 This is a one-way corequisite for Math 39. Everyone taking this NMAT 201C concurrent support course must be taking a Math 30, math 39 or Math 34 class concurrently. However, not everyone taking Math 39 would have to take this NMAT 201C concurrent support course.

- Or MATH 34 This is a one-way corequisite for Math 34. Everyone taking this NMAT 201C concurrent support course must be taking a Math 30, Math 39 or Math 34 class concurrently. However, not everyone taking Math 34 would have to take this NMAT 201C concurrent support course.



D/E	CRN	DAYS	TIMES	ROOM	INSTRUCTOR	DATES	CODES	SEC	D/E	CRN	DAYS	TIMES	ROOM	INSTRUCTOR	DATES	CODES	SEC
-----	-----	------	-------	------	------------	-------	-------	-----	-----	-----	------	-------	------	------------	-------	-------	-----

**MATH 101C** is a **STRONGLY RECOMMENDED** support course for students currently enrolled in Math 30, Math 39 or Math 34. This 1 unit-lab is designed to prepare students for the rigor of the BSTEM (Business, Science, Technology, Engineering and Math) transfer-level courses and learning skills necessary to succeed in college courses. Aligned with your math course and designed with innovative strategies to provide math and learning support while you are taking your math course.

This class is offered for credit (MATH 101C) or for tuition-free noncredit (NMAT 201C).

Day	23035	Lab TTh	2:00-3:15	601	MAJUMDAR	08/17-12/18	P/N	C01
Day	23036	Lab MWF	9:30-10:20	601	WOODS	08/17-12/18	P/N	C02
Day	23037	Lab MWF	10:30-11:20	601	STAFF	08/17-12/18	P/N	C03
Day	23038	Lab MW	2:00-3:15	601	STAFF	08/17-12/18	P/N	C04
Day	23039	Lab MW	3:30-4:45	601	STAFF	08/17-12/18	P/N	C05
Day	23041	Lab TTh	9:00-10:15	601	STAFF	08/17-12/18	P/N	C07
Day	23042	Lab TTh	10:30-11:45	601	STAFF	08/17-12/18	P/N	C08
Day	23043	Lab TTh	3:30-4:45	601	STAFF	08/17-12/18	P/N	C09
Eve	23040	Lab MW	5:00-6:15	601	STAFF	08/17-12/18	P/N	C06
Eve	23044	Lab TTh	6:00-7:15	601	STAFF	08/17-12/18	P/N	C10

## MATH JAM BOOT CAMP COURSES

Math Jam is offered the week before the Fall and Spring semesters. This pre-semester, 1-week boot camp provides innovative learning interventions to prepare for upcoming mathematics courses with confidence.

Math Jam is proven to increase student success and retention rates! This program provides a supportive, noncredit pathway for all students into a credit math course required to transfer. Embedded in this bootcamp are essential study and life skills to develop each student holistically before enrolling in a math course as well as rigorous learning support of prerequisite and key math concepts.

### MATH 66 MATH JAM FOR CALCULUS

0.5 Units

Math Jam for Calculus I is a credit course for students preparing for Calculus I. Embedded are essential study and life skills to develop each student holistically, including career development. Students will be learning basic skills and transfer-level material with the goal of preparing them to be successful in their upcoming class. It is strongly recommended that students taking this course are enrolled in a calculus course.

**MATH JAM FOR CALCULUS I, II AND III** is a 1-week support course prior to the start of the semester for students who wish to prepare for their upcoming Calculus I, II or III course prior to the start of the semester. This course is designed to prepare students to register for the calculus sequence with confidence, having learned key math concepts and learning skills necessary to succeed in college courses.

MATH 66 meets from Aug 8-Aug 14.

Day	23049	Lab Daily	9:00-3:00	2401	SINGH	08/08-08/14	P/N	M01
Day	23668	Lab Daily	9:00-3:00	2401	OLAVARRIETA	08/08-08/14	P/N	M02

### NMAT 260A MATH JAM INTRO TO TUTORING

0.0 Units

Math Jam is designed to help students prepare for their upcoming math class. This Math Jam Tutor Training course is designed to train tutors prior to Math Jam in strategies for effectively engaging students in learning difficult math concepts. Tutors will learn about intelligent practices for mastering material and how to navigate in the online course environment participants will be using during Math Jam. This is designed for students who are interested in becoming a paid mathematics tutor at Las Positas College or in any educational capacity.

**MATH JAM TUTOR TRAINING** courses are designed to train tutors prior to Math Jam in strategies for effectively engaging students in learning difficult math concepts and should be taken with NMAT 260B. Tutors will learn about intelligent practices for mastering material and how to navigate in the online course environment participants will be using during Math Jam. This is an excellent first course for students who are interested in becoming a paid mathematics tutor at Las Positas College or in any educational capacity. Students who complete NMAT 260A and 260B can earn a noncredit Certificate of Completion.

NMAT COURSES ARE TUITION-FREE AND NONCREDIT.

Day	23158	Sat	9:30-12:00	tba	WOODS	08/08-08/14	P/N	M01
						08/08-08/14	P/N	

NMAT 260A-MO1 is a HYBRID course that meets from Aug 8-Aug 14. Students will meet on campus on the days/times indicated above. The remainder of the course will be completed online. For more information, see the section titled "Online Learning" in this schedule, or go to <http://www.laspositascollege.edu/onlinelearning>.

### NMAT 260B MATH JAM FOR TUTORS

0.0 Units

Math Jam is designed to help students prepare for their upcoming math class. This Math Jam Tutor Training course supports tutors during Math Jam to apply strategies for effectively engaging students in learning difficult math concepts with participants. Tutors apply knowledge around intelligent practices for mastering material as they tutor participants during Math Jam. This is an excellent second course for students who are interested in becoming a paid mathematics tutor at Las Positas College or in any educational capacity.

This **MATH JAM TUTOR TRAINING** course supports tutors during Math Jam to apply strategies for effectively engaging students in learning difficult math concepts with participants and should be taken with 260A. Tutors apply knowledge around intelligent practices for mastering material as they tutor participants during Math Jam. This is an excellent second course for students who are interested in becoming a paid mathematics tutor at Las Positas College or in any educational capacity. Students who complete NMAT 260A and 260B can earn a noncredit Certificate of Completion.

NMAT COURSES ARE TUITION-FREE AND NONCREDIT.

Day	23159	MTWTh	3:00-3:50	2401	WOODS	08/08-08/14	P/N	M01
						08/08-08/14	P/N	

NMAT 260B-MO1 is a HYBRID course that meets from Aug 8-Aug 14. Students will meet on-campus on the days/times listed above, and will be required to complete the remainder of the course online. For more information, see the section titled "Online Learning" in this schedule, or go to <http://www.laspositascollege.edu/onlinelearning>.

### NMAT 264 MATH JAM FOR SLAM PREP

0.0 Units

Math Jam for SLAM Prep is for students preparing for math courses in Statistics and Probability or Mathematics for Liberal Arts. Math Jam is a FREE noncredit program designed to help students prepare for their upcoming math class at a community college. Embedded are essential study and life skills to develop each student holistically, including career development. Students will be learning prerequisite algebraic and basic probability material with the goal of preparing them to be successful in their upcoming first-level transfer course of Statistics or Math for Liberal Arts class.

Strongly recommended that students taking this course be enrolled in Math 40: Statistics and Probability or Math 47: Mathematics for Liberal Arts at Las Positas College.

**MATH JAM FOR SLAM** (Statistics, Liberal Arts, Math) is a 1-week support course prior to the start of the semester for students who wish to prepare for their upcoming Math 40 or Math 47 transfer-level course prior to the start of the semester. This course is designed to prepare students to register for their transfer-level math courses with confidence, having learned key math concepts and learning skills necessary to succeed in college courses. Students who attend two NMAT Math Jams can earn a noncredit Certificate of Completion.

NMAT COURSES ARE TUITION-FREE AND NONCREDIT.

NMAT 264 meets from Aug 10-Aug 14.

Day	23155	Lab Daily	9:00-3:00	2401	YOUNG	08/10-08/14	P/N	M01
Day	23164	Lab Daily	9:00-3:00	2401	FRATES	08/10-08/14	P/N	M02

### NMAT 265 MATH JAM FOR BSTEM PREP

0.0 Units

Math Jam for BSTEM Prep is for students preparing for math courses in College Algebra, Trigonometry, Business Calculus and review prior to Calculus I. Math Jam is a noncredit program designed to help students prepare for their upcoming STEM focused math class at a community college. Embedded are essential study and life skills to develop each student holistically, including career development. Students will be learning pre-transfer level material with the goal of preparing them to be

D/E	CRN	DAYS	TIMES	ROOM	INSTRUCTOR	DATES	CODES	SEC	D/E	CRN	DAYS	TIMES	ROOM	INSTRUCTOR	DATES	CODES	SEC
-----	-----	------	-------	------	------------	-------	-------	-----	-----	-----	------	-------	------	------------	-------	-------	-----

successful in their upcoming class. It is strongly recommended that students taking this course are enrolled in a community college math course.

**MATH JAM FOR BSTEM** (Business, Science, Technology, Engineering and Math) is a 1-week support course prior to the start of the semester for students who wish to prepare for their upcoming Math 30, Math 39 or Math 34 transfer-level course prior to the start of the semester. This course is designed to prepare students to register for their transfer-level math courses with confidence, having learned key math concepts and learning skills necessary to succeed in college courses. Students who attend two NMAT Math Jams can earn a noncredit Certificate of Completion.

**NMAT COURSES ARE TUITION-FREE AND NONCREDIT.**

*NMAT 265 meets from Aug 10-Aug 14.*

Day	23156	Lab Daily	9:00-3:00	2401	POWERS	08/10-08/14	P/N	M01
Day	23157	Lab Daily	9:00-3:00	2401	OLAVARRIETA	08/10-08/14	P/N	M02

**NON-CREDIT (Tuition-Free) MATH CLASSES and CONCURRENT SUPPORTS**

NMAT courses are tuition free, non-credit mathematics course. Students may enroll in these as many times as desired. Non-credit courses do not count towards credit unit load for the semester. These classes are also offered for credit.

**NMAT 200C CONCURRENT SUPPORT SLAM MATH 0.0 Units**

Concurrent Support for SLAM Math is for students interested in disciplines that require Statistics and Liberal Arts Mathematics (SLAM) courses. This course offers structured support to students who are concurrently enrolled in a first-level transfer course, such as Statistics and Mathematics for Liberal Arts, and Finite Mathematics. The support course includes material to prepare students for the rigor of the transfer math course by teaching learning skills necessary to succeed in college courses as well as review of relevant prerequisite algebraic and geometric concepts, and more in-depth investigation of core concepts in their concurrent math course.

*Corequisite: MATH 40 or MATH 47 or MATH 33 This is a one-way corequisite for Math 40. Everyone taking this NMAT 200C concurrent support course must be taking a Math 40, 47 or 33 class concurrently. However, not everyone taking Math 40, Math 47 or Math 33 would have to take this NMAT 200C concurrent support course.*

**NMAT 200C IS A STRONGLY RECOMMENDED SUPPORT COURSE** for students currently enrolled in Math 40, Math 47 or Math 33. This course is designed to prepare students for the rigor of the SLAM (Statistics, Liberal Arts Math) transfer-level courses and learning skills necessary to succeed in college courses. Aligned with your math course and designed with innovative strategies to provide math and learning support while you are taking your math course. This class is offered for credit (MATH 100C) or for tuition-free noncredit (NMAT 200C).

Day	23131	Lab TTh	2:00-3:15	601	PETERSON	08/17-12/18	P/N	C01
Day	23132	Lab MWF	9:30-10:20	601	STAFF	08/17-12/18	P/N	C02
Day	23133	Lab MWF	10:30-11:20	601	STAFF	08/17-12/18	P/N	C03
Day	23134	Lab MW	2:00-3:15	601	STAFF	08/17-12/18	P/N	C04
Day	23135	Lab MW	3:30-4:45	601	STAFF	08/17-12/18	P/N	C05
Day	23137	Lab TTh	9:00-10:15	601	STAFF	08/17-12/18	P/N	C07
Day	23138	Lab TTh	10:30-11:45	601	STAFF	08/17-12/18	P/N	C08
Day	23139	Lab TTh	3:30-4:45	601	STAFF	08/17-12/18	P/N	C09
Eve	23136	Lab MW	5:00-6:15	601	STAFF	08/17-12/18	P/N	C06
Eve	23140	Lab TTh	6:00-7:15	601	STAFF	08/17-12/18	P/N	C10

**NMAT 201C CONCURRENT SUPPORT BSTEM MATH 0.0 Units**

Concurrent Support for BSTEM Math is for students interested in Business, Science, Technology, Engineering and Mathematical fields. This course offers structured support to students who are concurrently enrolled in a first-level transfer course, such as College Algebra, Trigonometry, and Business Calculus. The support course includes material to prepare students for the rigor of the transfer math course by teaching learning skills necessary to succeed in college courses as well as review of

relevant prerequisite algebraic and geometric concepts, and more in-depth investigation of core concepts in their concurrent math course.

*Corequisite: MATH 30 or MATH 39 or MATH 34: This is a one-way corequisite. Everyone taking this NMAT 201C concurrent support course must be taking a Math 30, Math 39 or Math 34 class concurrently. However, not everyone taking Math 30 or Math 39 or Math 34 would have to take this NMAT 201C concurrent support course.*

**NMAT 201C IS A STRONGLY RECOMMENDED SUPPORT COURSE** for students currently enrolled in Math 30, Math 39 or Math 34. This course is designed to prepare students for the rigor of the BSTEM (Business, Science, Technology, Engineering and Math) transfer-level courses and learning skills necessary to succeed in college courses. Aligned with your math course and designed with innovative strategies to provide math and learning support while you are taking your math course.

*This class is offered for credit (MATH 101C) or for tuition-free noncredit (NMAT 201C).*

Day	23141	Lab TTh	2:00-3:15	601	MAJUMDAR	08/17-12/18	P/N	C01
Day	23142	Lab MWF	9:30-10:20	601	STAFF	08/17-12/18	P/N	C02
Day	23143	Lab MWF	10:30-11:20	601	STAFF	08/17-12/18	P/N	C03
Day	23144	Lab MW	2:00-3:15	601	STAFF	08/17-12/18	P/N	C04
Day	23145	Lab MW	3:30-4:45	601	STAFF	08/17-12/18	P/N	C05
Day	23147	Lab TTh	9:00-10:15	601	STAFF	08/17-12/18	P/N	C07
Day	23148	Lab TTh	10:30-11:45	601	STAFF	08/17-12/18	P/N	C08
Day	23149	Lab TTh	3:30-4:45	601	STAFF	08/17-12/18	P/N	C09
Eve	23146	Lab MW	5:00-6:15	601	STAFF	08/17-12/18	P/N	C06
Eve	23150	Lab TTh	6:00-7:15	601	STAFF	08/17-12/18	P/N	C10

**NMAT 202C CONCURRENT SUPPORT FOR MATH 0.0 Units**

This course is just-in-time concurrent support for students enrolled in a first-level transfer course, such as Statistics, College Algebra, Trigonometry, Business Calculus, Mathematics for Liberal Arts, and Finite Mathematics. The support course is noncredit, open entry/open exit. The content will prepare students for the rigor of the transfer math course by teaching learning skills necessary to succeed in college courses as well as review of relevant basic and secondary education prerequisite algebraic and geometric concepts, and more in-depth investigation of core concepts to their concurrent math course. The course design is to meet the needs of a variety of students, such as students who desire formal, regular ongoing learning supports, students wishing self-place into transfer-level mathematics courses as defined by AB 705, and students who are repeating the course for the second or third time. The support course includes a review of basic and secondary level math relevant to their college-level course, provides study strategies to promote understanding and improve performance, and more in-depth investigation of core concepts that are difficult for students to master and learning skills such as growth mindset, brain research, time management, study skills, test taking, math anxiety and more.

*Corequisite: MATH 30 or MATH 39 or MATH 34 or MATH 40 or MATH 47 or MATH 33*

*NMAT 202C provides just-in-time math and learning support for students enrolled in a math course.*

Day	23151	Lab By Arr	1.0 Hrs/Wk	tba	STAFF	08/17-12/18	P/N	C01
-----	-------	------------	------------	-----	-------	-------------	-----	-----

**NMAT 250 INTERMEDIATE ALGEBRA FOR SLAM 0.0 Units**

This is an Intermediate Algebra course for students interested in fields of study that require Statistics or Liberal Arts Mathematics (SLAM). Intermediate algebra concepts will be explored in the context of the function. Function concepts covered include: distinction between functions and relations, domain and range, function notation, multiple representation of functions, behavior of functions, operations with functions (including composition), one-to-one functions, and invertible functions. Types of functions considered: polynomial, rational, radical, exponential and logarithmic functions. The course includes an introduction to probability, counting and quantitative data. Standards for mathematical practice, applications of functions, and modeling

D/E	CRN	DAYS	TIMES	ROOM	INSTRUCTOR	DATES	CODES	SEC	D/E	CRN	DAYS	TIMES	ROOM	INSTRUCTOR	DATES	CODES	SEC
-----	-----	------	-------	------	------------	-------	-------	-----	-----	-----	------	-------	------	------------	-------	-------	-----

with functions are emphasized throughout.

*Strongly Recommended: NMAT 210 or MATH 110 or MATH 110B with a minimum grade of C*

*A TI-84 or TI-83 calculator or internet-based software will be required for all sections of this course. There may be a fee associated with these materials. Consult with the instructor before purchasing materials for this course.*

*This course is offered for credit (MATH 50) or for tuition-free noncredit (NMAT 250).*

Day	23079	MWF	10:00-10:50	1814	YOUNG	08/17-12/18	OP	V01
	Lab	MWF	11:00-11:50	1814		08/17-12/18	OP	
Eve	23081	TTh	6:30-7:45	1004	STAFF	08/17-12/18	OP	093
	Lab	TTh	8:00-9:15	1004		08/17-12/18	OP	

*NMAT 250-093 is specifically designed for Early Care and Education majors. The content of this course will be contextualized to the early childhood profession and its teachers.*

### NMAT 255 INTERMEDIATE ALGEBRA FOR BSTEM 0.0 Units

Intermediate Algebra concepts, in the service of Business, Science, Technology, Engineering and Math fields (BSTEM), will be explored in this course including: an introduction to functions; linear and absolute value functions; absolute value equations and inequalities; compound linear inequalities; rational expressions, functions and equations; radical expressions, functions and equations; rational exponents; complex numbers; quadratic functions and equations; inverse of a function; exponential and logarithmic functions; properties of logarithms; exponential and logarithmic equations; conic sections; and systems of equations and inequalities. Multiple representations, applications and modeling with functions are emphasized throughout. Students can petition to get credit for the Math 55 Intermediate Algebra for BSTEM course by examination.

*Strongly Recommended: NMAT 210 or MATH 110 or MATH 110B with a minimum grade of C*

*A TI-84 or TI-83 calculator or internet-based software may be required for some sections of this course. There may be a fee associated with these materials. Consult with the instructor or bookstore before registering for this course.*

*This course is offered for credit (MATH 55) or for tuition-free noncredit (NMAT 255).*

Day	23102	TTh	8:00-10:15	1814	STAFF	08/17-12/18	OP	V01
Eve	23109	MW	7:30-9:45	1003	STAFF	08/17-12/18	OP	093
Day	23101	MWF	12:00-1:25	1003	MCHALE	08/17-12/18	OP	C12

#### STUDENTS MUST ALSO ENROLL IN NMAT 255C-C12.

*NMAT 255-C12 is designed specifically for students pursuing a degree or transfer in a STEM Field, with emphasis towards supporting the completion of the A.S. Engineering Technology degree. The material in this course therefore will be heavily contextualized in STEM applications, with emphasis in engineering technology. This course must be taken concurrently with NMAT 255C-C11, a noncredit support course that will prepare students for the rigor of the STEM pathways and learning skills necessary to succeed in college courses. Ideally students that enroll in this section are also interested in enrolling in the fast-tracked Math 30: College Algebra for STEM and Math 39: Trigonometry course offered in an 8-week mode the following Spring.*

## MUSIC

### MUS 1 INTRODUCTION TO MUSIC 3.0 Units

Music for enjoyment and understanding through informed listening, analysis, evaluation and discernment of musical elements, forms, and repertoire. Attendance at concerts and listening to a variety of music may be required.

Day	21757	MW	9:30-10:45	4138	ZIMMERMAN	08/17-12/18	GR	V01
	Web	20853	ONLINE		ZIMMERMAN	08/17-12/18	GR	DEI

*MUS 1-DEI is an online course. For more information, see the section titled "Online Learning" in this schedule or go to <http://www.laspositascollege.edu/onlinelearning>.*

### MUS 3 WORLD MUSIC 3.0 Units

The study of the folk and art music of world cultures. Includes the traditional music of Sub-Saharan Africa, Middle East, China, Japan, Indonesia, India, Latin America, Europe, and Native

America. Attendance at world music concerts is required.

**Web 23258 ONLINE BREKKE 08/17-12/18 OP DEI**  
*MUS 3-DEI is an online course. For more information, see the section titled "Online Learning" in this schedule or go to <http://www.laspositascollege.edu/onlinelearning>.*

### MUS 4 JAZZ IN AMERICAN CULTURE 3.0 Units

History, trends, and influences of the phenomenon of jazz through integration of the cultures of (but not limited to) African-American, European-American and the Latin-American communities. Required listening, reading and concert attendance will guide the student to value jazz as a form of self-expression and improve the ability to listen and understand the various eras in jazz from pre-Dixieland to present day.

Day	20342	TTh	11:00-12:15	4138	DEVINE	08/17-12/18	GR	V01
Day	21897	TTh	12:30-1:45	4138	DEVINE	08/17-12/18	GR	V02

### MUS 5 AMERICAN CULTURES IN MUSIC 3.0 Units

Music in twentieth century United States through the study of contributions of three selected groups from the following: African-Americans, Latin-Americans, Asian-Americans, European-Americans, and Native Americans. Emphasis on understanding diverse styles, and on integrating these styles into American music. Concert, religious, and folk-pop music will be included.

**Web 20279 ONLINE CEFALO 08/17-12/18 OP DEI**  
*MUS 5-DEI is an online course. For more information, see the section titled "Online Learning" in this schedule, or go to <http://www.laspositascollege.edu/onlinelearning>.*

**Web 23648 ONLINE CEFALO 08/17-12/18 OP DE2**  
*MUS 5-DE2 is an online course. For more information, see the section titled "Online Learning" in this schedule, or go to <http://www.laspositascollege.edu/onlinelearning>.*

**Web 23655 ONLINE MARSCHAK 08/17-12/18 OP DE3**  
*MUS 5-DE3 is an online course. For more information, see the section titled "Online Learning" in this schedule, or go to <http://www.laspositascollege.edu/onlinelearning>.*

### MUS 6 BASIC MUSIC SKILLS 2.0 Units

Essentials of music through notation, time elements, melody, harmony, and tonality, texture, dynamics and knowledge of the keyboard. Sight singing and ear training.

Day	20548	TTh	9:30-10:45	4226	BROWNE ROSE	08/17-12/18	OP	V01
-----	-------	-----	------------	------	-------------	-------------	----	-----

### MUS 8A THEORY AND MUSICIANSHIP I 4.0 Units

Elements of diatonic harmony through part writing and ear training exercises as typified by musical practice from 1600 to the present. Includes keys, modes, scales, tonality, intervals, solfeggio, consonance/dissonance, rhythmic organization, chord structure, chord and interval recognition, melodic and rhythmic dictation, voice leading principles, non-chord tones, four-part voice leading with selected primary and secondary chords, and figured bass realization.

*Strongly Recommended: MUS 6, MUS 21A with a minimum grade of C*

Day	20289	MW	12:30-2:20	4130	BREKKE	08/17-12/18	OP	V01
	Lab	Fri	11:30-12:20	4130		08/17-12/18	OP	

*MUS 8A-V01 is open to all students but has an optional embedded honors component. Students who qualify for the Honors Transfer Program may take it for honors credit. See instructor and visit <http://www.laspositascollege.edu/honors>*

### MUS 10A THEORY AND MUSICIANSHIP 3 4.0 Units

This course incorporates the concepts from the Mus 8 series. In addition, through analysis and composition, the course will include: introduction to chromatic harmony; secondary/applied chords; modulation; borrowed chords; modulation; borrowed chords; introduction to Neapolitan and augmented-sixth chords. Mus 10A also applies and develops the rhythmic, melodic, and harmonic materials of the musicianship portion of Mus 8 series through ear training, sight singing, analysis, and dictation.

*Prerequisite: MUS 8B with a minimum grade of C*

Day	20293	MWF	10:30-11:20	4226	MARSCHAK	08/17-12/18	OP	V01
	Lab	MW	11:30-12:20	4226		08/17-12/18	OP	

*MUS 10A-V01 is open to all students but has an optional embedded honors*



D/E	CRN	DAYS	TIMES	ROOM	INSTRUCTOR	DATES	CODES	SEC	D/E	CRN	DAYS	TIMES	ROOM	INSTRUCTOR	DATES	CODES	SEC
-----	-----	------	-------	------	------------	-------	-------	-----	-----	-----	------	-------	------	------------	-------	-------	-----

component. Students who qualify for the Honors Transfer Program may take it for honors credit. See instructor and visit <http://www.laspositascollege.edu/honors> for more information.

**MUS 11 COMMERCIAL MUSIC COMBO 1.0 Units**

For instrumentalists and vocalists who want experience in performing and interpreting small-group commercial music literature. Emphasis will be on articulations, stylistic differences, composition, arranging, and common performance practices. Enrollment by audition only.

*Strongly Recommended: MUS 18A and MUS 6 with a minimum grade of C*

Day	23359	Lab TTh	2:30-3:45	4138	MANZI	08/17-12/18	OP	V01
-----	-------	---------	-----------	------	-------	-------------	----	-----

ENROLLMENT BY AUDITION ONLY.

**MUS 13 HISTORY OF ROCK AND ROLL 3.0 Units**

A cultural survey of original American music traditions, forms and trends influenced by cultural, socio-economic, socio-political and economic changes including blues, jazz, early rock, the British invasion, rap, hip hop culture, Latino rock, heavy metal, jazz-rock fusion, electronic, modern rock, and pop.

**Web 23360 ONLINE BROWNE ROSE 08/17-12/18 OP DEI**  
*MUS 13-DEI is an online course. For more information, see the section titled "Online Learning" in this schedule or go to <http://www.laspositascollege.edu/onlinelearning>.*

**MUS 14 JAZZ WORKSHOP 1.0 Units**

Reading, preparation and performance of contemporary Jazz music. Opportunity to apply improvisation techniques in a group setting.

Eve	20297	Lab Mon	6:00-8:50	4138	BROWNE ROSE	08/17-12/18	OP	093
-----	-------	---------	-----------	------	-------------	-------------	----	-----

ENROLLMENT BY AUDITION ONLY.

**MUS 15 JAZZ ENSEMBLE 1.0 Units**

This course is for the study, rehearsal, and public performance of standard jazz ensemble literature, with an emphasis on the development of skills needed to perform within an ensemble. New literature will be studied each term so that different technical and artistic issues are addressed. Opportunities to arrange and compose for the ensemble as well as to conduct. Opportunity to apply improvisation techniques in a group setting.

Eve	20280	Lab Mon	6:00-8:50	4138	BROWNE ROSE	08/17-12/18	OP	093
-----	-------	---------	-----------	------	-------------	-------------	----	-----

ENROLLMENT BY AUDITION ONLY.

**MUS 16 PHILHARMONIC ORCHESTRA 1.0 Units**

This course is for the study, rehearsal, and public performance of the standard Classical orchestra literature, with an emphasis on the development of skills needed to perform within an ensemble. Different literature is studied each semester so that different technical, historical and artistic issues are addressed. Attendance at all scheduled performances is required. Audition required.

Eve	20363	Lab Wed	6:00-8:50	4138	LA BARRE	08/17-12/18	OP	093
-----	-------	---------	-----------	------	----------	-------------	----	-----

ENROLLMENT BY AUDITION ONLY.

**MUS 17A JAZZ COMBO I 1.0 Units**

For instrumentalists who want experience in performing and interpreting small-group literature. The music literature will cover important aspects of jazz band development and works of all styles and periods. Emphasis will be on articulations, stylistic differences, composition, arranging, and common performance practices of the various periods of music. Enrollment by audition only.

*Strongly Recommended: MUS 18A, MUS 6 with a minimum grade of C*

Day	21898	Lab TTh	2:30-3:45	4138	MANZI	08/17-12/18	OP	V01
-----	-------	---------	-----------	------	-------	-------------	----	-----

ENROLLMENT BY AUDITION ONLY.

**MUS 17B JAZZ COMBO 2 1.0 Units**

For intermediate/advanced instrumentalists who want to continue what they learned in 17A by performing, composing, and arranging small-group literature. Enrollment by audition only.

*Prerequisite: MUS 17A with a minimum grade of C*

Day	22030	Lab TTh	2:30-3:45	4138	MANZI	08/17-12/18	OP	V01
-----	-------	---------	-----------	------	-------	-------------	----	-----

ENROLLMENT BY AUDITION ONLY.

**MUS 20A ELEMENTARY GUITAR 1.0 Units**

Beginning guitar using a combination of folk and classic approaches to playing technique, utilizing basic scales and chords in first position, and music notation.

*Strongly Recommended: MUS 6 with a minimum grade of C*

Day	23672	Lab Fri	11:00-1:50	4127	MANZI	08/17-12/18	OP	V01
-----	-------	---------	------------	------	-------	-------------	----	-----

**MUS 20B STUDY OF GUITAR 1.0 Units**

Development of skills and knowledge from Music 20A. Emphasis on playing techniques and performance. Designed for the intermediate and advanced performer.

*Prerequisite: MUS 20A with a minimum grade of C*

Day	23673	Lab Fri	11:00-1:50	4127	MANZI	08/17-12/18	OP	V01
-----	-------	---------	------------	------	-------	-------------	----	-----

**MUS 20C ADVANCED GUITAR 1.0 Units**

Development of skills and knowledge from Music 20B. Emphasis on advanced playing techniques and performance. Designed for the advanced performer.

*Prerequisite: MUS 20B with a minimum grade of C*

Day	23674	Lab Fri	11:00-1:50	4127	MANZI	08/17-12/18	OP	V01
-----	-------	---------	------------	------	-------	-------------	----	-----

**MUS 21A BEGINNING PIANO 1.0 Units**

Group instruction in piano for the absolute beginner with emphasis on developing technique, reading music, and performing.

*Strongly recommended: MUS 6*

Day	20282	Lab TTh	11:30-12:45	4226	MARSCHAK	08/17-12/18	OP	V01
-----	-------	---------	-------------	------	----------	-------------	----	-----

**MUS 21B BEGINNING PIANO: INTERMEDIATE 1.0 Units**

Development of skills learned in Music 21A. Emphasis on further development of technique and performance.

*Prerequisite: Mus 21A with a minimum grade of C*

Day	20283	Lab TTh	11:30-12:45	4226	MARSCHAK	08/17-12/18	OP	V01
-----	-------	---------	-------------	------	----------	-------------	----	-----

**MUS 22A SCORING FILM AND MULTIMEDIA I 3.0 Units**

Applications and techniques of composition and sound effects for film and other visual media. Musical and technical elements of producing digital audio tracks are covered.

*Strongly Recommended: MUS 35 with a minimum grade of C*

Day	22695	MW	2:30-3:45	4226	GODOY	08/17-12/18	OP	V01
-----	-------	----	-----------	------	-------	-------------	----	-----

**MUS 22B SCORING FILM AND MULTIMEDIA 2 3.0 Units**

Building on material covered in Scoring for Film and Multimedia 1, students will continue to hone compositional technique for film and other visual media. Upon successful completion of this course, students will be prepared to enter the film music industry with necessary skill sets to succeed.

*Prerequisite: MUS 22A and MUS 36 with a minimum grade of C*

Day	23361	MW	2:30-3:45	4226	GODOY	08/17-12/18	OP	V01
-----	-------	----	-----------	------	-------	-------------	----	-----

**MUS 23A ELEMENTARY VOICE I 1.0 Units**

Group singing with emphasis on solo performance. Tone production, breathing, diction, and interpretation in regard to song literature.

*Strongly Recommended: MUS 6*

Day	20284	Lab TTh	1:00-2:15	4130	WALKER	08/17-12/18	OP	V01
-----	-------	---------	-----------	------	--------	-------------	----	-----

**MUS 23B ELEMENTARY VOICE II 1.0 Units**

Development of skills learned in Music 23A. Emphasis on further development of vocal production and performance.

*Prerequisite: MUS 23A with a minimum grade of C*

Day	20285	Lab TTh	1:00-2:15	4130	WALKER	08/17-12/18	OP	V01
-----	-------	---------	-----------	------	--------	-------------	----	-----

**MUS 25 TEACHING BEGINNING PIANO 2.0 Units**

Principles of successful piano teaching with emphasis upon

D/E	CRN	DAYS	TIMES	ROOM	INSTRUCTOR	DATES	CODES	SEC	D/E	CRN	DAYS	TIMES	ROOM	INSTRUCTOR	DATES	CODES	SEC
-----	-----	------	-------	------	------------	-------	-------	-----	-----	-----	------	-------	------	------------	-------	-------	-----

development of technique and reading ability in beginner level students; private and group piano teaching methods; personal development as teacher and musician. Observation of piano lessons or classes and supervised practice teaching of private or class piano students may be required. Intended for pianists with intermediate or advanced skills.

Strongly Recommended: MUS 21B

**Web 23362 ONLINE MARSCHAK 08/17-12/18 OP DEI**  
 MUS 25-DEI is an online course. For more information, see the section titled "Online Learning" in this schedule or go to <http://www.laspositascollege.edu/onlinelearning>.

**MUS 27 TEACHING INTERMEDIATE PIANO 2.0 Units**

Principles of successful piano teaching with emphasis upon continued development of technique and reading ability in intermediate level students; private and group piano teaching methods; selection of intermediate literature; Baroque, Classical, Romantic and 20th Century styles: studio organization and personal development as teacher and musician. Observation of piano lessons or classes and supervised practice teaching of private or class piano students may be required.

Strongly recommended: Music 21B.

**Web 23363 ONLINE MARSCHAK 08/17-12/18 OP DEI**  
 MUS 27-DEI is an online course. For more information, see the section titled "Online Learning" in this schedule or go to <http://www.laspositascollege.edu/onlinelearning>.

**MUS 28 KEYBOARD SKILLS 1.0 Units**

Emphasis on correct harmonization of melodies with various styles of piano accompaniments; transposition; improvisation ; modulation; sight reading; principles of accompanying soloists and groups; ensemble playing; playing by ear. Frequent solo and ensemble performances in class. Intended for piano teachers or classroom music teachers.

Strongly recommended: MUS 21B

**Day 22163 Lab TTh 11:30-12:45 4226 MARSCHAK 08/17-12/18 OP V01**

**MUS 31 STUDY OF PIANO 1.0 Units**

Development of functional piano skills. Designed for knowledge and skill of intermediate or advanced level.

Prerequisite: MUS 21B with a minimum grade of C

**Day 20286 Lab TTh 11:30-12:45 4226 MARSCHAK 08/17-12/18 OP V01**

**MUS 34 MUSIC IN FILM 3.0 Units**

The class traces the history and development of film music through reading, lecture and film viewing. The class studies the process of film scoring and how music and its relationship to film have changed over the last century. Class includes discussion and evaluation of different compositional styles and learning to listen critically to film scores while viewing movies.

**Web 22696 ONLINE LA BARRE 08/17-12/18 OP DEI**

MUS 34-DEI is an online course. For more information, see the section titled "Online Learning" in this schedule or go to <http://www.laspositascollege.edu/onlinelearning>.

**MUS 37 MUSIC INDUSTRY CAREER DEV. 3.0 Units**

Career opportunities and business practices in the music industry. Focus on career options and development, artist management, unions, music merchandising, music for film and digital media, and concert promotion.

**Web 23364 ONLINE LA BARRE 08/17-12/18 OP DEI**

MUS 37-DEI is an online course. For more information, see the section titled "Online Learning" in this schedule or go to <http://www.laspositascollege.edu/onlinelearning>.

**MUS 38 APPLIED LESSONS-BASS 1.0 Units**

Individualized study of the appropriate techniques and repertoire for the specific instrument or voice being studied. The emphasis is on the progressive development of skills needed for solo performance. Achievement is evaluated through a juried performance. Enrollment subject to a standardized audition demonstrating basic competencies in technique and musicianship

in their major performance medium.

*Corequisites: MUS 8A or MUS 8B or MUS 10A or MUS 10B or MUS 12 or MUS 14 or MUS 15 or MUS 16 or MUS 44 or MUS 45 or MUS 46A or MUS 46B or MUS 48.*

**SPECIAL APPROVAL NEEDED:** To enroll in any of the Applied Lessons MUS 38 courses listed below, students are required to concurrently enroll in Music Theory (MUS 8A, 8B, 10A, or 10B) and a Performing Ensemble. Contact Ian Brekke [ibrekke@laspositascollege.edu](mailto:ibrekke@laspositascollege.edu) or Dan Marschak [dmarschak@laspositascollege.edu](mailto:dmarschak@laspositascollege.edu) for more information and an Add Code.

**Day 20287 Lab By Arr 3.0 Hrs/Wk tba BROWNE ROSE 08/17-12/18 OP V01**

**MUS 38 APPLIED LESSONS-BASSOON 1.0 Units**

**Day 22591 Lab By Arr 3.0 Hrs/Wk tba BRUNNER 08/17-12/18 OP V02**

**MUS 38 APPLIED LESSONS-CELLO 1.0 Units**

**Day 22592 Lab By Arr 3.0 Hrs/Wk tba IVRY 08/17-12/18 OP V03**

**MUS 38 APPLIED LESSONS-COMPOSITION 1.0 Units**

**Day 22593 Lab By Arr 3.0 Hrs/Wk tba MARSCHAK 08/17-12/18 OP V04**

**MUS 38 APPLIED LESSONS-DRUMS 1.0 Units**

**Day 22594 Lab By Arr 3.0 Hrs/Wk tba RODRIGUEZ 08/17-12/18 OP V06**

**MUS 38 APPLIED LESSONS-GUITAR 1.0 Units**

**Day 22595 Lab By Arr 3.0 Hrs/Wk tba MANZI 08/17-12/18 OP V07**

**MUS 38 APPLIED LESSONS-HIGH STRINGS 1.0 Units**

**Day 22596 Lab By Arr 3.0 Hrs/Wk tba WISHNIA 08/17-12/18 OP V08**

**MUS 38 APPLIED LESSONS-HORN 1.0 Units**

**Day 22597 Lab By Arr 3.0 Hrs/Wk tba GLASS 08/17-12/18 OP V09**

**MUS 38 APPLIED LESSONS-LOW BRASS 1.0 Units**

**Day 22598 Lab By Arr 3.0 Hrs/Wk tba BAKER 08/17-12/18 OP V10**

**MUS 38 APPLIED LESSONS-PERCUSSION 1.0 Units**

**Day 22599 Lab By Arr 3.0 Hrs/Wk tba DOWNING 08/17-12/18 OP V11**

**MUS 38 APPLIED LESSONS-PIANO 1.0 Units**

**Day 22600 Lab By Arr 3.0 Hrs/Wk tba STAFF 08/17-12/18 OP V12**

**MUS 38 APPLIED LESSONS-JAZZ PIANO 1.0 Units**

**Day 22601 Lab By Arr 3.0 Hrs/Wk tba ORZEL 08/17-12/18 OP V13**

**MUS 38 APPLIED LESSONS-TRUMPET 1.0 Units**

**Day 22602 Lab By Arr 3.0 Hrs/Wk tba SILVA 08/17-12/18 OP V14**

**MUS 38 APPLIED LESSONS-VOICE 1.0 Units**

**Day 22603 Lab By Arr 3.0 Hrs/Wk tba WALKER 08/17-12/18 OP V15**

**Day 22604 Lab By Arr 3.0 Hrs/Wk tba BREKKE 08/17-12/18 OP V16**

**Day 23251 Lab By Arr 3.0 Hrs/Wk tba MCPHERRIN 08/17-12/18 OP V17**

**MUS 38 APPLIED LESSONS-WOODWINDS 1.0 Units**

**Day 22605 Lab By Arr 3.0 Hrs/Wk tba DEVINE 08/17-12/18 OP V18**

**MUS 38 APPLIED LESSONS-FLUTE 1.0 Units**

**Day 22697 Lab By Arr 3.0 Hrs/Wk tba LAI 08/17-12/18 OP V19**

**MUS 38 APPLIED LESSONS-OBOE 1.0 Units**

**Day 22698 Lab By Arr 3.0 Hrs/Wk tba HENDERSON 08/17-12/18 OP V20**

**MUS 41 INSTRUMENTAL CHAMBER MUSIC 1.0 Units**

This course is an instrumental music ensemble that performs selections from the standard classical repertoire, as well as modern compositions. Students develop all aspects of instrumental performance including technique, sight-reading, intonation, rhythmic interpretation, ensemble balance, and stylistic interpretation. Musical instruments may include members of the brass, woodwind, string, percussion, and keyboard families.

**Eve 23365 Lab Wed 6:00-8:50 4138 LA BARRE 08/17-12/18 OP 093**

ENROLLMENT BY AUDITION ONLY.

D/E	CRN	DAYS	TIMES	ROOM	INSTRUCTOR	DATES	CODES	SEC	D/E	CRN	DAYS	TIMES	ROOM	INSTRUCTOR	DATES	CODES	SEC
-----	-----	------	-------	------	------------	-------	-------	-----	-----	-----	------	-------	------	------------	-------	-------	-----

**MUS 44 CONCERT CHOIR 1.0 Units**

This course offers an opportunity for students to study, interpret, and perform vocal ensemble music in a variety of styles. Emphasis is placed on building ensemble singing experience and techniques towards a successful audition into higher-level ensembles. Designed for students of all backgrounds and experience levels.

*Concurrent enrollment in MUS 6 (Basic Music Skills) is highly recommended.*

Eve	22699	Lab TTh	6:00-8:50	4130	WALKER	08/17-12/18	OP	093
-----	-------	---------	-----------	------	--------	-------------	----	-----

ENROLLMENT BY AUDITION ONLY.

**MUS 45 CHAMBER CHOIR 2.0 Units**

A performance-based class furthering the effective study, interpretation, and presentation of choral literature. Designed for vocalists with previous classical ensemble experience. Performs multiple times per semester.

*Strongly Recommended: MUS 6, MUS 44 with a minimum grade of C*

Day	20281	Tue	3:30-4:20	4130	BREKKE	08/17 10/16	OP	V01
Lab		Tue	4:30-5:45	4130		08/17-12/18	OP	
Lab		Th	4:00-5:50	4130		08/17-12/18	OP	
Lab		Fri	12:30-1:20	4130		08/17-12/18	OP	

ENROLLMENT BY AUDITION ONLY.

**MUS 46 VOCAL JAZZ ENSEMBLE 2.0 Units**

An advanced performance-based class exploring jazz voice in an ensemble setting. Course emphasizes the study of a variety of jazz and pop/rock styles, overall healthy vocal technique, use of microphones and an active sound system, vocal improvisation, and overall musicianship. Singing and ensemble experience highly recommended, as the class requires strong sense of intonation, rhythm, and vocal blend. Performs multiple times per semester.

*Strongly Recommended: MUS 6, MUS 44 with a minimum grade of C*

Eve	23366	Mon	3:30-4:20	4130	BREKKE	08/17-12/18	OP	093
Lab		Mon	4:30-5:45	4130		08/17-12/18	OP	
Lab		Wed	4:00-5:50	4130		08/17-12/18	OP	
Lab		Fri	1:30-2:20	4130		08/17-12/18	OP	

ENROLLMENT BY AUDITION ONLY.

**MUS 48 IMPROVISATION LAB 1.0 Units**

This course exposes students to the fundamental concepts and skills any improviser needs to succeed in a group setting. The course is open to any instrumentalist or vocalist with no audition or experience in jazz required. The course is intended to prepare students for established advanced jazz ensembles and Vocal East. Emphasis will be on group activities, independent practice, basic theory concepts, and performance.

*Strongly Recommended: MUS 6 or MUS 8A with a minimum grade of C*

Day	22700	Lab Th	6:00-8:50	4138	DEVINE	08/17-12/18	OP	V01
-----	-------	--------	-----------	------	--------	-------------	----	-----

**- NONCREDIT -  
AUTOMOTIVE TECH**

**NAUT INTR AUTO SERVICE AND INTRODUCTION 0.0 Units**

Bumper-to-Bumper Automotive Knowledge. Starting with hazardous waste handling, tool identification, maintenance and lubrication, moving into engine mechanical, emissions controls, suspension systems, air conditioning, airbags and safety, transmissions, axles, and finishing off with the future of the automotive industry. This is an introductory class for people who want to know more about their vehicle or who are planning an automotive career.

Eve	23639	Mon	6:00-7:05	817	STAFF	09/08-12/18	OP	LEI
Lab		Mon	8:00-10:10	817		09/08-12/18	OP	

Lab	Wed	6:00-10:10	817			09/08-12/18	OP	
Sat	23642	Sat	9:00-10:50	817	STAFF	08/17-12/18	OP	WEI
Lab		Sat	11:00-4:50	809		08/17-12/18	OP	

**NAUT LIL2 SMOG LEVEL ONE AND LEVEL TWO 0.0 Units**

This course includes classes/modules the State of California's requires for a student/automotive technician to be prepared to take their Smog License Test. This class will include Level One and Level Two smog training only. At the end of the class students may or may not qualify for either EI or EO smog license. See [www.smogcheck.ca.gov](http://www.smogcheck.ca.gov) for more information.

Eve	23643	TTh	6:00-7:50	817	WESTON	08/17-12/18	OP	093
Lab		TTh	8:00-9:15	809		08/17-12/18	OP	

**NAUT LABA AUTOMOTIVE LAB 0.0 Units**

Automotive Lab is an open laboratory class for basic automotive students. This class is for students desiring to expand their hands-on experience using their own vehicle. Instructor will provide technical and supervisory support to guide students in completion of their self-initiated projects. Service information via computer service manuals will be available for students to use for vehicle information and research.

*Prerequisite: AUTO INTR or NAUT INTR with a minimum grade of C May be taken concurrently*

Day	23644	Lab MW	1:00-3:50	809	HAGOPIAN	08/17-12/18	OP	V01
-----	-------	--------	-----------	-----	----------	-------------	----	-----

**NAUT LABB AUTOMOTIVE LAB ADVANCED 0.0 Units**

Automotive Lab Advanced is an open laboratory class for advanced automotive students. This class is for students desiring to expand their hands-on experience using their own vehicle. Instructor will provide technical and supervisory support to guide students in completion of their self-initiated projects. Students are expected to help others in class and be able to work without guidance. Service information via computer service manuals will be available for students to use for vehicle information and research. Class is recommended for second year students only.

*Prerequisite: AUTO LABA or NAUT LABA and AUTO INTR or NAUT INTR with a minimum grade of C*

Day	23645	Lab MW	1:00-3:50	809	HAGOPIAN	08/17-12/18	OP	V01
-----	-------	--------	-----------	-----	----------	-------------	----	-----

**-NONCREDIT -  
ESL**

**NESL 220A INTERMEDIATE GRAMMAR READING 0.0 Units**

This is the first semester of a one-year course in intermediate grammar for academic writing and reading designed to enable students to identify, comprehend, and use linguistic forms accurately, meaningfully and appropriately in reading and writing. The course focuses on types of sentences, clauses, and phrases, word order, verb forms, verb tenses, and on the connection between vocabulary and grammar.

*Prerequisite: NESL 230B or ESL 130B with a minimum grade of P or placement through the ESL assessment process*

*Students are advised to enroll concurrently in NESL 220A and NESL 221A, and ESL 123 or ESL 126.*

Eve	23077	Mon	6:30-9:20	1006	STAFF	08/17-12/18	P/N	N93
-----	-------	-----	-----------	------	-------	-------------	-----	-----

**NESL 220B HIGH-INTERMEDIATE GRAMMAR 0.0 Units**

This is the second semester of a one-year course in intermediate grammar for academic writing and reading designed to enable students to use linguistic forms accurately, meaningfully and appropriately in written expression. The course focuses on types of sentences, clauses, phrases, word order, verb forms, verb tenses, and on the connection between vocabulary and grammar. This course also emphasizes analyzing grammar and



D/E	CRN	DAYS	TIMES	ROOM	INSTRUCTOR	DATES	CODES	SEC	D/E	CRN	DAYS	TIMES	ROOM	INSTRUCTOR	DATES	CODES	SEC
-----	-----	------	-------	------	------------	-------	-------	-----	-----	-----	------	-------	------	------------	-------	-------	-----

meaning and detecting and correcting grammatical errors.

*Prerequisite: NESL 220A or ESL 120A with a minimum grade of P or placement through the ESL assessment process*

*Students are advised to enroll concurrently in NESL 220B and NESL 221B, and ESL 123 or ESL 126.*

Eve	23078	Mon	6:30-9:20	1060	STAFF	08/17-12/18	P/N	N93
-----	-------	-----	-----------	------	-------	-------------	-----	-----

**NESL 221B INTERMEDIATE READING & WRITING 0.0 Units**

This is the second semester of a one-year course in intermediate academic writing and reading. Classes will focus on writing sentences, paragraphs and compositions, developing strategies for reading comprehension and flexibility, on interactive reading, and academic vocabulary development. Students will develop cultural understanding and fluency through a variety of academic writing and reading tasks.

*Prerequisite: NESL 221A or ESL 121A with a minimum grade of Pass or Placement through ESL assessment process.*

*Students are advised to enroll concurrently in NESL 221B and NESL 220B, and ESL 123 or ESL 126.*

Eve	23367	TTh	6:30-9:20	2460	BRICKMAN	08/17-12/18	P/N	093
		Tue	5:30-6:20	2460		08/17-12/18	P/N	

**NESL 230A BEG. GRAMMAR READING & WRITING 0.0 Units**

This is the first semester of a one-year course in beginning grammar for academic purposes designed to enable students to understand and use English accurately, meaningfully and appropriately. The course focuses on the connection between vocabulary and grammar, simple and compound sentences, phrases, verb forms, and verb tenses, especially simple and compound sentences, phrases, verb forms, and verb tenses, especially simple present, simple past, and present progressive.

*Strongly Recommended: Placement through the ESL assessment process*

*Students are advised to enroll concurrently in NESL 230A and NESL 231A, and ESL 133 or ESL 136.*

Eve	23368	Th	6:30-9:20	1053	STAFF	08/17-12/18	P/N	093
-----	-------	----	-----------	------	-------	-------------	-----	-----

**NESL 230B HIGH-BEGINNING GRAMMAR 0.0 Units**

This is the second semester of a one-year course in beginning grammar for academic purposes designed to enable students to identify and use linguistic forms accurately, meaningfully and appropriately in written expression. The course focuses on simple and compound sentences, word order, verb tenses: simple present, past, and future as well as present and past progressive, verb forms, modals, phrases, and vocabulary development.

*Prerequisite: NESL 230A or ESL 130A with a minimum grade of P or placement through the ESL assessment process*

*Students are advised to enroll concurrently in NESL 230B, NESL 231B, and ESL 133 or ESL 136.*

Eve	23369	Th	6:30-9:20	1059	STAFF	08/17-12/18	P/N	093
-----	-------	----	-----------	------	-------	-------------	-----	-----

**NESL 231A BEGINNING READING AND WRITING 0.0 Units**

This is the first semester of a one-year course in beginning academic writing and reading. Classes will focus on writing simple and compound sentences in short paragraphs, on developing strategies for increasing reading comprehension and flexibility, on interactive reading, and on developing academic vocabulary. Students will develop cultural understanding and fluency through a variety of writing and reading tasks.

*Strongly Recommended: Appropriate skill level demonstrated through the ESL assessment process*

*Students are advised to enroll concurrently in NESL 231A and NESL 230A, and ESL 133 or ESL 136.*

Eve	23165	MW	6:30-9:20	1053	STAFF	08/17-12/18	P/N	093
		Mon	5:20-6:30	1053		08/17-12/18	P/N	

**NESL 231B HIGH-BEG. READING AND WRITING 0.0 Units**

This is the second semester of a one-year course in beginning academic writing and reading. Classes will focus on writing simple,

compound, and complex sentences in structured paragraphs, on developing strategies for increasing reading comprehension and on developing academic vocabulary. Students will develop cultural understanding and fluency through a variety of writing and reading tasks.

*Prerequisite: NESL 231A or ESL 131A with a minimum grade of Pass or Placement through ESL assessment process*

*Students are advised to enroll concurrently in NESL 231B and NESL 230B, and ESL 133 or ESL 136.*

Eve	23076	MW	6:30-9:20	1051	STAFF	08/17-12/18	P/N	N93
		Lab Wed	5:20-6:30	1051		08/17-12/18	P/N	

**NESL 240 PUBLIC SPEAKING DELIVERY ADV. 0.0 Units**

A comprehensive introduction to the concepts of public speaking delivery skills used in academic and work settings. Covers key skills of eye contact, gestures, stance, and vocal variety. Classes will be performance based with intensive practice and individual coaching.

*Prerequisite: ESL 121A or NESL 221A or ESL 120A or NESL 220A with a minimum grade of P*

Day	23615	Fri	1:00-3:00	1053	DEBAKCSY	09/11-09/18	P/N	N01
-----	-------	-----	-----------	------	----------	-------------	-----	-----

*NESL 240-N01 meets from Sept 11-Sept 18.*

**NESL 241 PUBLIC SPEAKING STRUCTURE ADV. 0.0 Units**

A comprehensive introduction to structure in public speaking used in academic and work settings. Covers key skills of culturally appropriate interjection, concise response to questions, and assertive presence. Classes will be performance based with intensive practice and individual coaching.

*Prerequisite: ESL 121A or NESL 221A or ESL 120A or NESL 220A with a minimum grade of P*

Day	23616	Fri	1:00-3:00	1053	DEBAKCSY	10/02-10/09	P/N	N01
-----	-------	-----	-----------	------	----------	-------------	-----	-----

*NESL 241-N01 meets from Oct 2-Oct 9.*

## - NONCREDIT - ENGLISH

**NENG 204 READING AND WRITING II 0.0 Units**

An accelerated one-semester preparation in English for success in college. Integrates reading, critical thinking and writing assignments, using materials that present a variety of perspectives from across the curriculum.

Day	23096	MW	11:00-12:15	401A	SATO	08/17-12/18	P/N	N01
		Lab MW	12:25-1:40	401A		08/17-12/18	P/N	

Day	23097	TTh	11:00-12:15	401A	DRY	08/17-12/18	P/N	N02
		Lab TTh	12:25-1:40	401A		08/17-12/18	P/N	

## - NONCREDIT - HORTICULTURE

**NHRT 202 LANDSCAPE AND GARDEN MAINT 0.0 Units**

This is an eight week short-term vocational horticulture course with lessons and lab activities are designed for students that have difficulty in a traditional classroom setting. Students will demonstrate basic skills and safety procedures used in lawn maintenance, tree and shrub pruning, basic irrigation repair, and organic weed control strategies.

Eve	23656	TTh	4:00-6:00	503	STAFF	09/18-10/29	P/N	LEI
-----	-------	-----	-----------	-----	-------	-------------	-----	-----

D/E	CRN	DAYS	TIMES	ROOM	INSTRUCTOR	DATES	CODES	SEC	D/E	CRN	DAYS	TIMES	ROOM	INSTRUCTOR	DATES	CODES	SEC
-----	-----	------	-------	------	------------	-------	-------	-----	-----	-----	------	-------	------	------------	-------	-------	-----

## - NONCREDIT - MATH

(see pg. 88)

## - NONCREDIT - TUTORING

### NTUT 200 SUPERVISED TUTORING 0.0 Units

Open-entry/open-exit supervised tutoring course provided to students requesting assistance or referred by a counselor or instructor. Tutoring is conducted in a learning center and is structured to strengthen student skills, reinforce student mastery, and help students achieve specific course objectives. Trained tutors and instructors will provide individualized/small group tutoring and learning assistance for basic skills, vocational skills, and academic subject matter areas including mathematics, English, science, social science, humanities and a variety of general education courses vital to the overall success and retention of students.

Day 23075 By Arr 5.0 Hrs/Wk 2401 TSUBOTA 08/17-12/18 P/N NO1

## NUTRITION

### NTRN 1 INTRO TO NUTRITION SCIENCE 3.0 Units

Scientific concepts of nutrition related to the function of nutrients, sources and recommended intakes. Nutritional assessment and the role of nutrition in the maintenance of health.

*Strongly Recommended: CHEM 30A, MATH 110 with a minimum grade of C*

Day 23413 MW 11:00-12:15 PE212 YERNOGA 08/17-12/18 GR V01

Day 23414 MW 12:30-1:45 PE212 YERNOGA 08/17-12/18 GR V02

Day 23411 TTh 11:00-12:15 2204 HIMMELSTEIN 08/17-12/18 GR V03

Day 23412 TTh 12:30-1:45 1059 YERNOGA 08/17-12/18 GR V04

Day 23415 TTh 2:00-3:15 1058 YERNOGA 08/17-12/18 GR V05

Eve 23416 Wed 6:00-8:50 PE212 TRAN 08/17-12/18 GR 093

Web 23417 ONLINE YERNOGA 08/17-12/18 GR DE1

*NTR 1-DE1 is an online course. For more information, see the section titled "Online Learning" in this schedule, or go to <http://www.laspositascollege.edu/onlinelearning>.*

Web 23418 ONLINE POLOKOFF 08/17-12/18 GR DE2

*NTR 1-DE2 is an online course. For more information, see the section titled "Online Learning" in this schedule, or go to <http://www.laspositascollege.edu/onlinelearning>.*

Web 23419 ONLINE POLOKOFF 08/17-12/18 GR DE3

*NTR 1-DE3 is an online course. For more information, see the section titled "Online Learning" in this schedule, or go to <http://www.laspositascollege.edu/onlinelearning>.*

### NTRN 5 SPORTS NUTRITION 3.0 Units

Students will study the role of nutrition in sports, performance and physical fitness. Optimal food, nutrient, and activity choices to maximize athletic performance for all athlete types.

*Strongly Recommended: NUTR 1 with a minimum grade of C*

Day 23624 TTh 2:00-3:15 2306 HIMMELSTEIN 08/17-12/18 GR V01

## OCCUPATIONAL SAFETY AND HEALTH

### OSH 60 ELEMENTS OF INDUSTRIAL HYGIENE 3.0 Units

Introduction to the major occupational safety subject areas of Industrial Hygiene. This includes anticipation, recognition, evaluation, and control of workplace hazards; effects of toxic agents on the body; measurement of these agents; general methods for their control; as well as State and Federal regulatory requirements.

Eve 22682 Mon 7:00-9:50 1816 STAFF 08/17-12/18 GR 093

## PHILOSOPHY

### PHIL 1 GOD, NATURE, HUMAN NATURE 3.0 Units

An exploration of the nature and range of philosophical inquiry in relation to everyday problems of humans as individuals, as citizens, as physical creatures, and as creators of spiritual and artistic works. Philosophical texts are analyzed with special attention given to the development of skills in analysis and argumentation. NOTE: Philosophy 2 and 4 are also introductory courses and may be taken before Philosophy 1 if a more detailed examination of ethical problems, the theory of knowledge, or political philosophy is desired.

*Strongly Recommended: Eligibility for ENG 1A*

*STUDENTS MAY TAKE PHILOSOPHY COURSES IN ANY ORDER*

Day 20156 MW 9:30-10:45 2460 BODNAR 08/17-12/18 GR V01

Web 21722 ONLINE ALVAREZ 08/17-12/18 GR DE1

*PHIL 1-DE1 is an online course. For more information, see the section titled "Online Learning" in this schedule, or go to <http://www.laspositascollege.edu/onlinelearning>.*

Web 21766 ONLINE ALVAREZ 10/12-12/11 GR LO1

*PHIL 1-LO1 is a LATE START online course that meets from Oct 12-Dec 11. For more information, see the section titled "Online Learning," or go to <http://www.laspositascollege.edu/onlinelearning>.*

### PHIL 2 ETHICS 3.0 Units

This course covers the concepts of morality, values and influential ethical theories. Students taking this course will be required to use philosophical methods to evaluate these theories for themselves and show how these theories can apply to everyday ethical questions.

*Strongly Recommended: Eligibility for ENG 1A*

*STUDENTS MAY TAKE PHILOSOPHY COURSES IN ANY ORDER*

Day 20101 TTh 12:30-1:45 2450 STAFF 08/17-12/18 GR V01

Eve 23331 Mon 6:00-8:50 2490 BODNAR 08/17-12/18 GR 093

Web 20294 ONLINE BODNAR 08/17-12/18 GR DE1

*PHIL 2-DE1 is an online course. For more information, see the section titled "Online Learning" in this schedule, or go to <http://www.laspositascollege.edu/onlinelearning>.*

### PHIL 4 INTRO TO PHILOSOPHY: KNOWLEDGE 3.0 Units

Systematic analysis of documents that constitute the major statements in the theory of knowledge. Investigation of the nature of knowledge, truth and belief. Emphasis placed on enabling students to analyze, critique and defend their own systems of beliefs.

*Strongly Recommended: Eligibility for ENG 1A*

*STUDENTS MAY TAKE PHILOSOPHY COURSES IN ANY ORDER*

Day 20102 MW 11:00-12:15 2205 BODNAR 08/17-12/18 GR V01

### PHIL 6 INTRODUCTION TO LOGIC 3.0 Units

An introduction to Logic. This course is designed to develop effective reasoning skills. Valid reasoning through formal deductive logic is emphasized, but the course also covers meaning in language, fallacies, and inductive reasoning methods in philosophy, literature and the sciences.

*Strongly Recommended: Eligibility for ENG 1A*

*STUDENTS MAY TAKE PHILOSOPHY COURSES IN ANY ORDER*

Day 23332 TTh 11:00-12:15 2450 BODNAR 08/17-12/18 OP V01

## PHOTOGRAPHY

### PHTO 50 INTRODUCTION TO PHOTOGRAPHY 3.0 Units

Introduction to the history and development of photography,

D/E	CRN	DAYS	TIMES	ROOM	INSTRUCTOR	DATES	CODES	SEC	D/E	CRN	DAYS	TIMES	ROOM	INSTRUCTOR	DATES	CODES	SEC
-----	-----	------	-------	------	------------	-------	-------	-----	-----	-----	------	-------	------	------------	-------	-------	-----

basic processes, various types of cameras, materials, basic shooting, processing developing, and printing of photographs.

*Students enrolled in PHTO 50 labs will be assessed a \$20 materials fee at registration.*

Day	20622	Mon	9:00-10:50	713	ANAYA	08/17-12/18	OP	V01
Lab		Mon	11:00-11:50	703		08/17-12/18	OP	
Lab		Wed	9:00-11:50	703		08/17-12/18	OP	
Day	20624	Tue	1:00-2:50	713	HORVATH	08/17-12/18	OP	V02
Lab		Tue	3:00-3:50	703		08/17-12/18	OP	
Lab		Th	1:00-3:50	703		08/17-12/18	OP	

**PHTO 56 INTRO TO DIGITAL PHOTOGRAPHY 1.5 Units**

The course covers basics for the beginner's use of digital cameras, film and flatbed scanners, and use of Adobe software for image adjustments. Exploration of digital photography compared with traditional photographic approaches and processes. Operation of Adobe digital imaging software for preparation of web site photos and print output, in both black and white and in color.

*Students enrolled in PHTO 56 will be assessed a \$20 materials fee at registration.*

Day	20623	Sat	9:00-9:50	713	CASELLI	08/17-12/18	OP	V01
Lab		Sat	10:00-11:50	713		08/17-12/18	OP	

**PHTO 58 INTRODUCTION TO VIDEOGRAPHY 3.0 Units**

Introduction to the theory and practice of video production and desktop video editing including project production phases, time-based visual and sound design, digitizing footage, video output issues, working creatively in a collaborative environment, industry standards, using a Macintosh computer platform.

*Students enrolled in PHTO 58 will be assessed a \$20 materials fee at registration.*

Day	20794	Fri	9:00-10:50	713	ANAYA	08/17-12/18	OP	V01
Lab		Fri	11:00-1:50	713		08/17-12/18	OP	

**PHTO 60 INTERMEDIATE BLACK&WHITE PHOTO 3.0 Units**

Using exposure/development controls related to black and white negative materials. Development of intermediate/ advanced print making skills. Emphasis on visual and critical problems related to black and white photography.

*Strongly Recommended: PHTO 50 with a minimum grade of C*

Eve	23370	Tue	6:00-7:15	713	HORVATH	08/17-12/18	OP	093
Lab		Tue	7:30-8:50	713		08/17-12/18	OP	
Lab		Th	6:00-8:50	713		08/17-12/18	OP	

**PHTO 66 DIGITAL IMAGING 3.0 Units**

The course covers desktop digital imaging systems including editing software, scanning, camera use, and digital printing. Students will learn to use devices for image capture, storage, output, how to apply traditional photographic controls to enhance image quality in the digital medium, and to digitally manipulate images using digital editing software.

*Students enrolled in PHTO 66 lab will be assessed a \$20 materials fee at registration.*

Day	23371	Tue	9:00-10:50	713	HORVATH	08/17-12/18	OP	V01
Lab		Tue	11:00-11:50	713		08/17-12/18	OP	
Lab		Th	9:00-11:50	713		08/17-12/18	OP	

**PHTO 69 INTERMEDIATE VIDEOGRAPHY 3.0 Units**

This course covers intermediate level digital video production to integrate and build upon prior video making skills. emphasis is on creative expression, improving all production values, edited quality of finished presentation, distribution of quality video piece to festivals and the web. Class is taught on the Macintosh computer platform.

*Strongly Recommended: PHTO 58 with a minimum grade of C*

Day	23565	Fri	9:00-10:50	713	ANAYA	08/17-12/18	OP	V01
Lab		Fri	11:00-1:50	713		08/17-12/18	OP	

## PHYSICS

**PHYS 1A GENERAL PHYSICS I 5.0 Units**

Introduction to the principles of Newtonian Mechanics and analytical methods of physics using calculus as needed. Topics covered include vectors, kinematics, forces, energy, momentum, rotation, and gravitation. (Previously PHYS 8A)

*Prerequisite: MATH 1 with a minimum grade of C*

Day	22024	TTh	11:00-12:50	1816	HARPELL	08/17-12/18	GR	V01
Lab		Tue	1:00-3:50	1831		08/17-12/18	GR	
Day	22025	TTh	11:00-12:50	1816	HARPELL	08/17-12/18	GR	V02
Lab		Th	1:00-3:50	1831		08/17-12/18	GR	
Day	22026	MW	2:30-4:20	1826	PEZZAGLIA	08/17-12/18	GR	V03
Lab		Mon	4:30-7:20	1831		08/17-12/18	GR	
Day	22895	MW	2:30-4:20	1826	PEZZAGLIA	08/17-12/18	GR	V04
Lab		Wed	4:30-7:20	1831		08/17-12/18	GR	

**PHYS 1B GENERAL PHYSICS II 5.0 Units**

Introduction to fluid dynamics, oscillations, mechanical waves, thermodynamics, light and optics. (Previously PHYS 8C)

*Prerequisite: PHYS 1A and MATH 2 with a minimum grade of C.*

Day	22691	TTh	11:00-12:50	1872	REHAGEN	08/17-12/18	GR	V01
Lab		Tue	1:00-3:50	1822		08/17-12/18	GR	
Day	22692	TTh	11:00-12:50	1872	REHAGEN	08/17-12/18	GR	V02
Lab		Th	1:00-3:50	1822		08/17-12/18	GR	

**PHYS 1C GENERAL PHYSICS III 5.0 Units**

Introduction to electricity and magnetism, circuits, Maxwell's equations and electromagnetic waves. (Previously PHYS 8B)

*Prerequisite: PHYS 1A and MATH 3 with a minimum grade of C (May be taken concurrently).*

Day	22027	MW	9:00-10:50	1816	REHAGEN	08/17-12/18	GR	V01
Lab		Fri	1:30-4:20	1831		08/17-12/18	GR	

**PHYS 2A INTRODUCTION TO PHYSICS I 4.0 Units**

Introduction to the major principles of classical mechanics using pre-calculus mathematics. Includes Newtonian mechanics, energy, gravitation, fluids, thermodynamics, oscillations, and waves.

*Prerequisite: MATH 39 with a minimum grade of C*

Day	21743	TTh	9:30-10:45	1816	SIDERS	08/17-12/18	GR	V01
Lab		Wed	1:30-4:20	1831		08/17-12/18	GR	
Day	22238	TTh	9:30-10:45	1816	SIDERS	08/17-12/18	GR	V02
Lab		Fri	12:30-3:20	1822		08/17-12/18	GR	

**PHYS 10 DESCRIPTIVE PHYSICS 3.0 Units**

Motion, gravitation, heat, light, sound, electricity, magnetism, atoms, and nuclei. Present day scientific problems and developments such as alternative energy sources, solar energy, nuclear power, lasers, relativity and black holes. Designed for non-majors in physical science.

*Prerequisite: MATH 55 with a minimum grade of C*

Eve	22366	MW	12:30-1:45	1871	GONZALINAJE	08/17-12/18	GR	093
-----	-------	----	------------	------	-------------	-------------	----	-----

**PHYS 10L DESCRIPTIVE PHYSICS LAB 1.0 Units**

Introduction to laboratory principles and techniques with emphasis on the basic concepts of physics such as mechanics, thermodynamics, energy, electricity, magnetism, and optics.

*Prerequisite: MATH 55 with a minimum grade of C*

*Corequisite: PHYS 10 (may also be taken after successful completion of PHYS 10)*

Day	22367	Lab	Wed	2:00-4:50	1822	GONZALINAJE	08/17-12/18	GR	V01
-----	-------	-----	-----	-----------	------	-------------	-------------	----	-----



## POLITICAL SCIENCE

### **POLI 7 INTRO TO AMERICAN GOVERNMENT 4.0 Units**

Introduction to the principles, problems and basic issues of government with particular emphasis on the national government in the United States, including discussion of the American Constitution, and California state and local government.

*Strongly Recommended: Eligibility for ENG 1A*

Day	20474	MW	9:00-10:50	2450	TORRES	08/17-12/18	OP	V01
Day	23324	MW	12:30-2:20	801	TORRES	08/17-12/18	OP	V02
Day	21090	TTh	9:00-10:50	2490	TORRES	08/17-12/18	OP	V03
Day	20079	TTh	11:00-12:50	104	TORRES	08/17-12/18	OP	V04
Day	22678	TTh	12:30-2:20	2490	STAFF	08/17-12/18	OP	V05
Day	20304	TTh	2:00-3:50	2450	TORRES	08/17-12/18	OP	V06
Day	22679	MW	11:00-12:50	1012	STAFF	08/17-12/18	OP	V07
Web	20373		ONLINE		GOUVEIA	08/17-12/18	OP	DEI

*POLI 7-DEI is an online course. For more information, see the section titled "Online Learning" in this schedule, or go to <http://www.laspositascollege.edu/onlinelearning>.*

**Web 21348 ONLINE HERTZ 08/17-12/18 OP DE2**

*POLI 7-DE2 is an online course. For more information, see the section titled "Online Learning" in this schedule, or go to <http://www.laspositascollege.edu/onlinelearning>.*

### **POLI 20 COMPARATIVE GOVERNMENT 3.0 Units**

Contemporary forms of government, institutions and political problems of selected national governments.

*Strongly Recommended: POLI 7 with a minimum grade of C Eligibility for ENG 1A*

Day	22680	MW	11:00-12:15	2450	TORRES	08/17-12/18	OP	V01
-----	-------	----	-------------	------	--------	-------------	----	-----

### **POLI 25 INTRO TO POLITICAL THEORY 3.0 Units**

Various theoretical approaches to politics including selected aspects of political thought from ancient times to the present with application of current political thought.

*Strongly Recommended: Eligibility for ENG 1A, POLI 7 with a minimum grade of C*

Day	23658	Mon	2:00-4:50	1052	STAFF	08/17-12/18	OP	V01
-----	-------	-----	-----------	------	-------	-------------	----	-----

## PSYCHOLOGY COUNSELING

### **PCN 5 INTRO. SOCIAL WK & HUMAN SERV. 3.0 Units**

An introductory overview of social welfare and the societal institutions in the U.S. that structure the provision of social services. The course presents a historical perspective on the development of U.S. social work and human services. Special attention is given to the evolution of social welfare programs and institutions, major U.S. court decisions, contemporary social problems, current service delivery systems, policies, procedures, and the tasks of culturally responsive social workers and human service workers within those settings.

*Strongly Recommended: ENG 1A completed with a grade of C*

Web	22745		ONLINE		LIRA	09/08-12/18	OP	LO1
-----	-------	--	--------	--	------	-------------	----	-----

*PCN 5-LO1 is a LATE START online course that meets from Sept 8-Dec 18. For more information, see the section titled "Online Learning" in this schedule, or go to <http://www.laspositascollege.edu/onlinelearning>.*

### **PCN 10 CAREER AND EDUC. PLANNING 2.0 Units**

Exploration of the concept of career, educational and life planning focusing on personal career development through self-assessment. Emphasis on clarification of individual interests, values, needs, abilities and decision making styles, investigation of occupational opportunities in the world of work, and introduction to job search strategies, resume writing and interview skills. Designed for those undecided or uncertain about their career and educational plans.

Day	23647	Fri	9:30-11:30	1013	STAFF	09/08-12/18	OP	LS1
-----	-------	-----	------------	------	-------	-------------	----	-----

*PCN 10-LS1 is a Late Start course that meets from Sept 8-Dec 18. This section is geared toward new college students, but is open to all students.*

Day	22074	TTh	1:00-1:50	1602	CALDERON	08/17-12/18	OP	V01
-----	-------	-----	-----------	------	----------	-------------	----	-----

Eve	22075	Wed	5:00-6:50	1641	CALDERON	08/17-12/18	OP	093
-----	-------	-----	-----------	------	----------	-------------	----	-----

Web	22076		ONLINE		BURKS	08/17-12/18	OP	DEI
-----	-------	--	--------	--	-------	-------------	----	-----

*PCN 10-DEI is an online course. For more information, see the section titled "Online Learning" in this schedule, or go to <http://www.laspositascollege.edu/onlinelearning>.*

### **PCN 13 MULTICULTURAL ISSUES:AMERICA 3.0 Units**

Exploration of issues relating to the multicultural community in which we live today. Interpersonal relations and communication. Focus on improving individuals understanding of other cultures and how those cultures impact the American lifestyle. Includes exploration of myths and misunderstandings. Discussion of four specific cultures or sub-cultures from the following groups: 1) African-American, 2) Asian-American, 3) Hispanic-American, 4) Native-American, 5) Middle Eastern-American, 6) European-American, 7) Gay/Lesbian American, 8) Disabled American.

Day	22078	TTh	9:30-10:45	1641	GECOX	08/17-12/18	OP	V01
-----	-------	-----	------------	------	-------	-------------	----	-----

Eve	22077	TTh	4:00-5:30	1641	GRAVINO	09/08-12/18	OP	LE1
-----	-------	-----	-----------	------	---------	-------------	----	-----

*PCN 13-LE1 is a late start course that meets from Oct 9-Dec 18.*

Web	22079		ONLINE		LIRA	08/17-12/18	OP	DEI
-----	-------	--	--------	--	------	-------------	----	-----

*PCN 13-DE1 is an online course. For more information, see the section titled "Online Learning" in this schedule, or go to <http://www.laspositascollege.edu/onlinelearning>.*

Web	22081		ONLINE		LIRA	10/12-12/11	OP	LO1
-----	-------	--	--------	--	------	-------------	----	-----

*PCN 13-LO1 is an online LATE START course that meets from Oct 12-Dec 11. For more information, see the section titled "Online Learning" in this schedule, or go to <http://www.laspositascollege.edu/onlinelearning>.*

### **PCN 15 COLLEGE STUDY SKILLS 2.0 Units**

A review of study skill techniques for success in college. Topics include college culture and resources, time management, personal learning style, organization, note-taking and test-preparation strategies. Includes practice and evaluation of study skill techniques.

Day	22080	TTh	2:00-3:10	1641	STAFF	09/08-12/18	OP	LS1
-----	-------	-----	-----------	------	-------	-------------	----	-----

*PCN 15-LS1 is a Late Start course that meets from Sept 8-Dec 18.*

### **PCN 18 UNIVERSITY TRANSFER PLANNING 1.0 Units**

Introduction to the resources and planning process needed to ease transition from community college to a four-year college or university. Development of a transfer action plan. Preparation for major and general education requirements. Application cycles and important deadlines. Recommended for those transferring to four-year colleges or universities.

Day	22132	Wed	12:30-1:35	1006	STAFF	09/08-12/18	OP	LS1
-----	-------	-----	------------	------	-------	-------------	----	-----

*PCN 18-LS1 is a late start course that meets from Sept 8-Dec 18.*

Web	22746		ONLINE		SCHWARZ	08/17-10/09	OP	DEI
-----	-------	--	--------	--	---------	-------------	----	-----

*PCN 18-DE1 is an online FAST TRACK course that meets from Aug 17-Oct 9. For more information, see the section titled "Online Learning," or go to <http://www.laspositascollege.edu/onlinelearning>.*

Web	22514		ONLINE		SCHWARZ	10/12-12/11	OP	LO1
-----	-------	--	--------	--	---------	-------------	----	-----

*PCN 18-LO1 is an online FAST TRACK course that meets from Oct 12-Dec 11. For more information, see the section titled "Online Learning," or go to <http://www.laspositascollege.edu/onlinelearning>.*

### **PCN 30 STUDENT SUCCESS:COLLEGE EXP. 3.0 Units**

This course explores concepts, knowledge, and skills relevant to college success. Students will engage in critical analysis on a variety of topics, including motivation, decision making, interpersonal communication, multicultural awareness, and learning theory. Problem solving strategies will be applied to areas including goal setting, career development, wellness, and accessing campus resources.

Day	22135	TTh	9:30-10:45	1602	VALLE	08/17-12/18	OP	V01
-----	-------	-----	------------	------	-------	-------------	----	-----

Day	22136	MW	9:30-10:45	1641	BURKS	08/17-12/18	OP	V02
-----	-------	----	------------	------	-------	-------------	----	-----

*PCN 30-V02 is part of the Umoja Program and is linked to ENG 1A, MW 11-12:15 and Lab M 12:30-1:45pm. For more information, or to register to the program,*

D/E	CRN	DAYS	TIMES	ROOM	INSTRUCTOR	DATES	CODES	SEC	D/E	CRN	DAYS	TIMES	ROOM	INSTRUCTOR	DATES	CODES	SEC
-----	-----	------	-------	------	------------	-------	-------	-----	-----	-----	------	-------	------	------------	-------	-------	-----

please contact Kimberly Burks at kburks@laspositascollege.edu

**Day 22133 TTh 11:00-12:15 1602 CALDERON 08/17-12/18 OP V04**  
 PCN 30-V04 is geared toward Student Veterans but is open to all students. For more information, please contact Jose Calderon at jcalderon@laspositascollege.edu

**Day 22134 MW 9:30-10:45 1602 VALLE 08/17-12/18 OP P01**  
 PCN 30-P01 is part of the Puente Program Learning Community and is linked to ENG 1A, MW 11-12:15 and Lab W 12:30-1:45pm. For more information, or to register for the program, please contact Rafael Valle at rvalle@laspositascollege.edu

**Day 22138 Mon 11:00-12:15 1602 DISCUA 08/17-12/18 OP HY1**  
**ONLINE / HYBRID 08/17-12/18 OP**

PCN 30-HY1 is a HYBRID course. Students will meet on-campus on the days/times listed above, and will be required to complete the remainder of the course online. For more information, see the section titled "Online Learning," or go to <http://www.laspositascollege.edu/onlinelearning>.

**Web 22515 ONLINE DISCUA 08/17-12/18 OP DE1**  
 PCN 30-DE1 is an online course. For more information, see the section titled "Online Learning" in this schedule, or go to <http://www.laspositascollege.edu/onlinelearning>.

**Web 22583 ONLINE SCHWARZ 10/12-12/11 OP LO1**  
 PCN 30-LO1 is a FASTTRACK online course that meets from Oct 12-Dec 11. For more information, see the section titled "Online Learning" in this schedule, or go to <http://www.laspositascollege.edu/onlinelearning>.

**PCN 35 DRUGS, HEALTH, AND SOCIETY 3.0 Units**

This course provides an overview of the epidemiology and toxicology of substance abuse and its relevance to personal and public health. Students will be introduced to the concept of substance abuse and dependence, the definition of licit and illicit drugs, and the pharmacologic, neurologic and physiologic effects of selected substances on the human in the supply and demand for drugs will be discussed. Epidemiologic data on the prevalence, incidence, and trends of smoking, alcohol, prescription and other drug dependencies in the U.S. will be covered, as well as risk factors associated with the use and abuse of these substances. Current options for recovery and a survey of local resources will be reviewed.

Strongly Recommended: Eligibility for ENG 1A

**Web 23335 ONLINE GECOX 09/08-12/18 OP LO1**

PCN 35-LO1 is a LATE START online course that meets from Sept 8-Dec 18. For more information, see the section titled "Online Learning" in this schedule, or go to <http://www.laspositascollege.edu/onlinelearning>.

## PSYCHOLOGY

**PSYC 1 GENERAL PSYCHOLOGY 3.0 Units**

Introduces students to the scientific study of behavior and mental processes. Provides an overview of major psychological concepts and theories in such areas as consciousness, learning, memory, motivation, perception, personality, stress, and social behavior.

Strongly Recommended: Eligibility for ENG 1A with a minimum grade of C

**Day 20374 MW 9:30-10:45 2204 LEVEQUE 08/17-12/18 OP V01**

**Day 20010 MW 11:00-12:15 2206 STAFF 08/17-12/18 OP V02**

**Day 20468 MW 12:30-1:45 2205 KELLER 08/17-12/18 OP V03**

**Day 20521 MW 2:00-3:15 1056 TURNER-AUGU 08/17-12/18 OP V04**

**Day 21848 MW 3:30-4:45 1056 TURNER-AUGU 08/17-12/18 OP V05**

**Day 20467 TTh 9:30-10:45 2450 KELLER 08/17-12/18 OP V06**

**Day 20011 TTh 11:00-12:15 1011 STAMATAKIS 08/17-12/18 OP V07**

**Day 21592 TTh 12:30-1:45 2205 STAFF 08/17-12/18 OP V08**

**Day 20233 TTh 2:00-3:15 1012 FAULKENBERR 08/17-12/18 OP V09**

**Day 20573 Fri 9:30-12:30 2204 STAMATAKIS 08/17-12/18 OP V10**

**Eve 21374 Tue 4:00-6:50 1060 FAULKENBERR 08/17-12/18 OP 093**

**Eve 20149 Wed 7:00-9:50 1012 FAULKENBERR 08/17-12/18 OP 094**

**Eve 23319 Mon 4:00-6:50 1012 GECOX 08/17-12/18 OP 095**

**Web 20216 ONLINE TURNER-AUGU 08/17-12/18 OP DE1**

PSYC 1-DE1 is an online course. For more information, see the section titled "Online Learning" in this schedule, or go to <http://www.laspositascollege.edu/onlinelearning>.

**Web 20503 ONLINE TURNER-AUGU 08/17-12/18 OP DE2**  
 PSYC 1-DE2 is an online course. For more information, see the section titled "Online Learning" in this schedule, or go to <http://www.laspositascollege.edu/onlinelearning>.

**Web 21085 ONLINE TURNER-AUGU 10/12-12/11 OP LO1**  
 PSYC 1-DE3 is a FASTTRACK online course that meets from Oct 12-Dec 11. For more information, see the section titled "Online Learning" in this schedule, or go to <http://www.laspositascollege.edu/onlinelearning>.

**Web 21527 ONLINE RUYS 08/17-12/18 OP DE4**  
 PSYC 1-DE4 is an online course. For more information, see the section titled "Online Learning" in this schedule, or go to <http://www.laspositascollege.edu/onlinelearning>.

**PSYC 3 INTRO.TO SOCIAL PSYCHOLOGY 3.0 Units**

This course will introduce theories and concepts that explain individual behavior in social settings. The topics include research methods, social perception, social cognition, beliefs, prejudice/discrimination, interpersonal relationships, aggression, and group behavior.

Strongly Recommended: PSYC 1 with a minimum grade of C

**Day 20343 MW 9:30-10:45 2205 HARTMAN 08/17-12/18 OP V01**

**Web 20517 ONLINE ROY 08/17-12/18 OP DE1**

PSYC 3-DE1 is an online course. For more information, see the section titled "Online Learning" in this schedule, or go to <http://www.laspositascollege.edu/onlinelearning>.

**Web 22896 ONLINE ROY 08/17-12/18 OP DE2**

PSYC 3-DE2 is an online course. For more information, see the section titled "Online Learning" in this schedule, or go to <http://www.laspositascollege.edu/onlinelearning>.

**PSYC 4 BRAIN, MIND, AND BEHAVIOR 3.0 Units**

Introduction to the field of biopsychology. The biopsychology of cognitive, perceptual, emotional, developmental, and social processes. Includes the biopsychology of personality, gender, emotions, learning, learning disabilities, drugs, neurological and developmental disorders, and mental health. Examination of information and theory for practical application.

Prerequisite: PSYC 1 with a minimum grade of C

**Day 20158 MW 11:00-12:15 402 KELLER 08/17-12/18 OP V01**

**Day 21593 TTh 11:00-12:15 1058 JONES 08/17-12/18 OP V02**

**Day 20126 TTh 12:30-1:45 2470 JONES 08/17-12/18 OP V03**

**Web 20784 ONLINE RUYS 08/17-12/18 OP DE1**

PSYC 4-DE1 is an online course. For more information, see the section titled "Online Learning" in this schedule or go to <http://www.laspositascollege.edu/onlinelearning>.

**PSYC 6 ABNORMAL PSYCHOLOGY 3.0 Units**

An introduction to mental health and the major mental health disorders in adults and children; includes anxiety, mood, personality, sexual, and psychotic disorders. The course will include the study of the major psychological, biological, and sociocultural models of mental health disorders and their treatment.

**Day 20217 MW 12:30-1:45 2490 LEVEQUE 08/17-12/18 OP V01**

**Day 20375 TTh 9:30-10:45 1012 HARTMAN 08/17-12/18 OP V02**

**Web 22130 ONLINE BUNDY 08/17-12/18 OP DE1**

PSYC 6-DE1 is an online course. For more information, see the section titled "Online Learning" in this schedule, or go to <http://www.laspositascollege.edu/onlinelearning>.

**PSYC 10 PSYCHOLOGY OF HUMAN SEXUALITY 3.0 Units**

Physiological and psychosocial aspects of sexual health in our contemporary society. Understanding the interrelationship of attitude and behavior as it relates to sexual well-being and sexual integrity.

**Day 21594 MW 11:00-12:15 PE209 HARTMAN 08/17-12/18 OP V02**

**PSYC 12 LIFE-SPAN PSYCHOLOGY 3.0 Units**

Introduction to the psychological, physiological, and socio-cultural factors influencing development from conception through death. Emphasis on the process of normal development and its variations. Examination of theoretical models and research for practical application.

D/E	CRN	DAYS	TIMES	ROOM	INSTRUCTOR	DATES	CODES	SEC	D/E	CRN	DAYS	TIMES	ROOM	INSTRUCTOR	DATES	CODES	SEC
Day	20518	TTh	11:00-12:15	2460	KELLER	08/17-12/18	OP	V01									
Day	21926	TTh	12:30-1:45	2306	KELLER	08/17-12/18	OP	V02									
Web	21330	ONLINE			RUYS	08/17-12/18	OP	DEI									

PSYC 12-DEI is an online course. For more information, see the section titled "Online Learning" in this schedule, or go to <http://www.laspositascollege.edu/onlinelearning>.

**PSYC 13 PSYCHOLOGY OF WOMEN 3.0 Units**

This course examines the diverse experiences of women from a psychological perspective. Students will explore psychological theory and research on gender and issues that affect women, and will gain insight into how psychologists investigate gender-related issues.

*Strongly recommended: Psychology 1.*

Day	22370	MW	11:00-12:15	105	ROY	08/17-12/18	OP	V01
-----	-------	----	-------------	-----	-----	-------------	----	-----

**PSYC 21 INTRO TO CROSS-CULTURAL PSYCH 3.0 Units**

This course is an introduction to cross-cultural identities, which focuses on the way culture influences human behavior and shapes mental processes. We will study a variety of ethnic, social, and cultural group developmental norms and the extent of influence these norms may have on an individual. This course seeks to strengthen diversity awareness and knowledge by bringing awareness to the importance of engaging in difficult discussions. This course will review a broad range of theories and research findings regarding cultural influences on human behavior and cognitive process. Topics covered include development of an individual worldview, identity development, stereotypes, prejudice, discrimination, racism, sexism, heterosexism, ableism, ageism, immigration & acculturation, privilege, oppression and cross-cultural issues in psychological literature.

*Strongly Recommended: PSYC 1 with a minimum grade of C*

Day	22674	MW	12:30-1:45	2470	TURNER-AUGU	08/17-12/18	OP	V01
-----	-------	----	------------	------	-------------	-------------	----	-----

**PSYC 25 RESEARCH METHODS 4.0 Units**

Introduction to the use of the scientific method in the study of human and animal behavior. Coverage of descriptive, experimental, and non-experimental methods commonly used in psychological research. Topics will include ethical principles in research, hypothesis development and testing, observational methods, survey research, the fundamentals of experimental design, basic data analysis, and the presentation of research findings.

*Prerequisites: PSYC 1 with a minimum grade of C and MATH 40 with a minimum grade of C*

Day	22507	TTh	9:30-10:45	2416	ROY	08/17-12/18	OP	V01
	Lab	TTh	11:00-12:15	2416		08/17-12/18	OP	
Day	21329	TTh	12:30-1:45	2416	ROY	08/17-12/18	OP	V02
	Lab	TTh	2:00-3:15	2416		08/17-12/18	OP	

## RADIATION SAFETY

**RADS 40A RADIATION SAFETY 2.0 Units**

A course designed to provide basic radiation safety instruction. Includes identification of the sources of radiation and radioactive materials, the nature of ionization radiation, biological effects, and risk assessment.

*Strongly Recommended: MATH 110 or MATH 110B with a minimum grade of C*

Eve	23434	Wed	7:00-8:50	1816	STAFF	08/17-12/18	OP	093
-----	-------	-----	-----------	------	-------	-------------	----	-----

## RELIGIOUS STUDIES

**RELS 1 RELIGIONS OF THE WORLD 3.0 Units**

Introduction to religion by examining several religions; basic principles of each shown by fundamental scriptures and works in

the visual and musical arts.

Day	23326	MW	11:00-12:15	2204	TOMLINSON	08/17-12/18	OP	V01
Web	20185	ONLINE			TOMLINSON	08/17-12/18	OP	DEI

RELS 1-DEI is an online course. For more information, see the section titled "Online Learning" in this schedule, or go to <http://www.laspositascollege.edu/onlinelearning>.

**Web 20346 ONLINE TOMLINSON 08/17-12/18 OP DE2**

RELS 1-DE2 is an online course. For more information, see the section titled "Online Learning" in this schedule, or go to <http://www.laspositascollege.edu/onlinelearning>.

**Web 22013 ONLINE TOMLINSON 08/17-10/09 OP FT1**

RELS 1-FT1 is a FAST TRACK online course that meets from Aug 17-Oct 9. For more information, see the section titled "Online Learning" in this schedule, or go to <http://www.laspositascollege.edu/onlinelearning>.

**Web 22324 ONLINE TOMLINSON 10/12-12/11 OP FT2**

RELS 1-FT2 is a FAST TRACK online course that meets from Oct 12-Dec 11. For more information, see the section titled "Online Learning" in this schedule, or go to <http://www.laspositascollege.edu/onlinelearning>.

## SOCIOLOGY

**SOC 1 PRINCIPLES OF SOCIOLOGY 3.0 Units**

The sociological perspective: scientific study of human interaction and society as a whole with emphasis on the impact of groups on social behavior, systematic examination of culture, social organization, and methodology.

Day	20012	MW	11:00-12:15	106	HIROSE	08/17-12/18	GR	V01
Day	21091	TTh	9:30-10:45	2205	HIROSE	08/17-12/18	GR	V02
Day	20013	Fri	9:30-12:30	2490	MESMER	08/17-12/18	GR	V03
Eve	21726	MW	4:30-5:45	105	MESMER	08/17-12/18	GR	093

Day	21497	Wed	12:30-1:45	104	THOMPSON	08/17-12/18	GR	HY1
					ONLINE / HYBRID			08/17-12/18 GR

SOC 1-HY1 is a HYBRID course. Students will meet on campus on the days/times indicated above. The remainder of the course will be completed online. For more information, see the section titled "Online Learning" in this schedule, or go to <http://www.laspositascollege.edu/onlinelearning>.

**Web 20234 ONLINE SEDEGHI 08/17-12/18 GR DEI**

SOC 1-DEI is an online course. For more information, see the section titled "Online Learning" in this schedule, or go to <http://www.laspositascollege.edu/onlinelearning>.

**Web 20392 ONLINE SEDEGHI 08/17-12/18 GR DE2**

SOC 1-DE2 is an online course. For more information, see the section titled "Online Learning" in this schedule, or go to <http://www.laspositascollege.edu/onlinelearning>.

**SOC 3 CULTURAL AND RACIAL MINORITIES 3.0 Units**

Racial and ethnic relations in the United States. Examines the cultural, political, and economic practices and institutions that support or challenge racism, racial and ethnic inequalities, as well as patterns of interaction between various racial and ethnic groups.

*Strongly Recommended: SOC 1 with a minimum grade of C*

Day	22701	TTh	12:30-1:45	101	HIROSE	08/17-12/18	OP	V01
Web	20527	ONLINE			HIROSE	08/17-12/18	OP	DEI

SOC 3-DEI is an online course. For more information, see the section titled "Online Learning" in this schedule, or go to <http://www.laspositascollege.edu/onlinelearning>.

**SOC 4 MARRIAGE AND FAMILY RELATIONS 3.0 Units**

Sociological perspective of the family including mate selection, marital roles, marital adjustment, sexual adjustment, reproduction, child rearing, marital dissolution, and problems associated with the family in modern industrial society.

*Strongly Recommended: SOC 1 with a minimum grade of C*

Day	22702	MW	2:00-3:15	101	NINH	08/17-12/18	GR	V01
-----	-------	----	-----------	-----	------	-------------	----	-----

**SOC 5 INTRODUCTION TO GLOBAL STUDIES 3.0 Units**

This course looks at the economic and political forces that have led to the rapid changes in global interaction and culture over the past century, with special emphasis on the last twenty years. It explores the issues of nationalism, global citizenry, state violence,



D/E	CRN	DAYS	TIMES	ROOM	INSTRUCTOR	DATES	CODES	SEC	D/E	CRN	DAYS	TIMES	ROOM	INSTRUCTOR	DATES	CODES	SEC
-----	-----	------	-------	------	------------	-------	-------	-----	-----	-----	------	-------	------	------------	-------	-------	-----

terrorism, the global economy, migration, the threatened environment, technology, and the role of multinational media industries on the culture.

*Strongly Recommended: SOC 1, ENG 1A with a minimum grade of C*

Day 22322 TTh 11:00-12:15 2490 THOMPSON 08/17-12/18 GR V01

**SOC 6 SOCIAL PROBLEMS 3.0 Units**

An identification and analysis of contemporary social problems including (1) the role of power and ideology in the definition of social problems, (2) their causes and consequences, (3) evaluations of proposed solutions, and (4) methods of intervention. Topics will vary.

Day 22323 TTh 2:00-3:15 105 MESMER 08/17-12/18 OP V01

**SOC 7 SOCIOLOGY OF SEXUALITY 3.0 Units**

This course looks at the social forces that influence, and are influenced by our construction of sexuality. Topics covered include: the social construction of the erotic, the creation of sexual identities, gender and sexuality, religion and sexuality, sexual commerce, and global issues such as birth control and STDs.

*Strongly Recommended: SOC 1 with a minimum grade of C*

Web 23318 ONLINE THOMPSON 08/17-12/18 GR DEI

*SOC 7-DEI is an online course. For more information, see the section titled "Online Learning" in this schedule, or go to <http://www.laspositascollege.edu/onlinelearning>.*

**SOC 12 POPULAR CULTURE 3.0 Units**

The course explores the historical, theoretical, political, and economic factors that influence the creation and diffusion of popular culture. It examines the impact of technological innovation and globalization on how popular culture is consumed and how this affects society.

*Strongly Recommended: SOC 1 (completed with a grade of C or higher).*

Day 20823 MW 12:30-1:45 503 HIROSE 08/17-12/18 OP V01

## SPANISH

**SPAN 1A BEGINNING SPANISH 5.0 Units**

This introductory level course offers a balanced approach to language and culture. It will enable students to begin speaking, reading and writing elementary level Spanish as well as understanding the spoken language as they explore the culture and countries of the Spanish-speaking world. Students are introduced to concepts of grammar, vocabulary and verb tenses in a variety of auditory, visual and written contexts.

*Strongly Recommended: ENG 1A with a minimum grade of C*

*SPAN 1A-V01, V02, & 093 are open to all students but have an optional embedded honors component. Students who qualify for the Honors Transfer Program may take it for honors credit. See instructor and visit <http://www.laspositascollege.edu/honors> for more information.*

Day 20058 MW 9:30-11:45 103 SUAREZ 08/17-12/18 OP V01

Day 20172 TTh 12:30-2:45 4213 SUAREZ 08/17-12/18 OP V02

Eve 20344 TTh 6:00-8:15 1051 NEVAREZ 08/17-12/18 OP 093

**SPAN 1B ELEMENTARY SPANISH 5.0 Units**

This is the second semester of the introductory level course. It continues to offer a balanced approach to language and culture. It enables students to continue learning to speak, read and write elementary level Spanish as well as to understand the spoken language as they explore the culture and countries of the Spanish-speaking world. Students continue to review and improve upon concepts of grammar, vocabulary and verb tenses in a variety of auditory, visual and written contexts. The course will continue to examine the culture of the Spanish-speaking world.

*Prerequisite: SPAN 1A with a minimum grade of C*

Eve 23334 MW 6:00-8:15 1051 SUAREZ 08/17-12/18 OP 093

**SPAN 2A INTERMEDIATE SPANISH I 4.0 Units**

This course covers a review of grammar, reading of contemporary literature, practice in conversation and composition, and discussion of cultural topics.

*Prerequisite: SPAN 1B with a minimum grade of C*

Day 23057 MW 12:30-2:45 1051 SUAREZ 08/17-12/18 OP V01

**SPAN 2B INTERMEDIATE SPANISH II 4.0 Units**

A course covering the reading of contemporary works, advanced review of grammar emphasis on speaking and composition, and further discussion of cultural topics.

*Prerequisite: SPAN 2A with a minimum grade of C*

Day 23058 MW 12:30-2:45 1051 SUAREZ 08/17-12/18 OP V01

**SPAN 2I SPANISH SPEAKERS I 5.0 Units**

This course is designed for bilingual students whose heritage language is Spanish and for linguistically qualified students who wish to improve their reading and writing Spanish skills. It provides students with instruction that builds upon their existing reading, writing, speaking and listening skills, and their cultural heritage and knowledge. The course will help students develop critical and integrative thinking skills; enhance their knowledge of Hispanic cultures as manifested in Spanish-speaking countries and the United States; understand sociopolitical realities; examine and recognize dialectal, social, and contextual variations; improve strategic speaking, reading, and writing skills; and master grammar points of concern to bilingual and heritage Spanish speakers. This course is conducted entirely in Spanish.

*Prerequisite: Spanish heritage speaker proficiency or the equivalent intermediate level as assessed.*

Day 22525 TTh 12:30-2:45 1052 NEVAREZ 08/17-12/18 GR V01

## THEATER ARTS

**THEA I CONSERVATORY READINESS 1.0 Units**

This course is required for students interested in participating in the Actors Conservatory at Las Positas College. This course prepares students for a rigorous two-year training program in acting, musical theater, and dance. Students are expected to perform monologues, solos, and short dance sequences in this course, as well as participate in mentorship and cohort activities throughout the semester.

Day 23588 Fri 10:00-10:50 4127 LISH 08/17-12/18 P/N V01

**THEA 1A THEORY/PRACTICE OF ACTING I 3.0 Units**

This course prepares a student to apply basic acting theory to performance and develops the skills of interpretation of drama through acting. Special attention is paid to skills for performance: memorization, stage movement, vocal production, and interpretation of text. An introduction to the techniques and theories of acting, explored through improvisation, exercises and scene study. Students should be able to demonstrate the following skills: development of the physical and psychological resources for acting including relaxation, concentration, creativity, believability, and commitment.

*Strongly Recommended: ENG 1A*

Day 20789 MW 9:30-10:45 4127 LISH 08/17-12/18 GR V01

Day 20136 TTh 9:30-10:45 4127 ROSS 08/17-12/18 GR V02

**THEA 3A BEGINNING IMPROVISATION 3.0 Units**

An entry level course designed to introduce to students to concepts of improvisation and creative dramatics. It will encourage students to "think out of the box", promoting creative problem solving within a supportive ensemble. Recommended for non-majors (Early Childhood education, Business, Speech/Communication majors especially encouraged) as well as Theatre:

D/E	CRN	DAYS	TIMES	ROOM	INSTRUCTOR	DATES	CODES	SEC	D/E	CRN	DAYS	TIMES	ROOM	INSTRUCTOR	DATES	CODES	SEC
-----	-----	------	-------	------	------------	-------	-------	-----	-----	-----	------	-------	------	------------	-------	-------	-----

AA students.

Day	22377	TTh	9:30-10:45	4128	WISELY	08/17-12/18	OP	V01
-----	-------	-----	------------	------	--------	-------------	----	-----

**THEA 3B INTERMEDIATE IMPROVISATION 3.0 Units**

This course will teach students Long-Form Improvisation. The class will concentrate on finding style and improving skills through various in class, supportive, exercises. We will focus on accepting/supporting, creating honest and strong relationship, and developing complex and engaging circumstances.

Prerequisite: THEA 3A with a minimum grade of C/P

Day	22378	TTh	9:30-10:45	4128	WISELY	08/17-12/18	OP	V01
-----	-------	-----	------------	------	--------	-------------	----	-----

**THEA 3C IMPROVISATION IN PERFORMANCE 3.0 Units**

From Saturday Night Live to Flash Mobs-Improvisation is part of our culture. Students will get the opportunity to perform as well as teach improvisation techniques and creative dramatics in a supportive and fun atmosphere. The students will also have opportunities to attend and critique the work various local improvisation troupes.

Prerequisite: THEA 3B with a minimum grade of C

Day	22734	TTh	9:30-10:45	4128	WISELY	08/17-12/18	OP	V01
-----	-------	-----	------------	------	--------	-------------	----	-----

**THEA 10 INTRODUCTION TO DRAMATIC ARTS 3.0 Units**

A survey of the elements of Theater event and its contribution to cultures and societies throughout history.

Strongly Recommended: Eligibility for ENG 1A

Day	20148	ONLINE			WISELY	08/17-12/18	GR	DE2
-----	-------	--------	--	--	--------	-------------	----	-----

THEA 10-DE1 is an online course. For more information, see the section titled "Online Learning" in this schedule or go to <http://www.laspositascollege.edu/onlinelearning>.

**THEA 39A MUSICAL THEA WORKSHOP-BEGINING 3.0 Units**

Training in performance skills for the musical theater, with emphasis on acting, stage movement and vocal production. Solo, duet and ensemble work, possibly leading to a culminating public performance.

Day	22031	MW	11:00-11:50	4127	MCBRIDE	08/17-12/18	GR	V01
		Lab MW	12:00-1:15	4127		08/17-12/18	GR	

**THEA 39B MUSICAL THEA WORKSHOP-INTERMED 3.0 Units**

Intermediate training in performance skills for the musical theater, with emphasis on acting, stage movement and vocal production. Study includes written analyses, musical theater staging and basic acting and vocal techniques. Solo, duet, and ensemble work possibly leading to culminating public performance.

Prerequisite: THEA 39A with a minimum grade of C

Day	22032	MW	11:00-11:50	4127	MCBRIDE	08/17-12/18	GR	V01
		Lab MW	12:00-1:15	4127		08/17-12/18	GR	

**THEA 39C MUSICAL THEA WORKSHOP-ADVANCED 3.0 Units**

Advanced training in performance skills for the musical theater, with emphasis on acting, stage movement and vocal production. Study includes auditioning techniques and critical analyses of musical theater performances. Culminating public performance required.

Prerequisite: THEA 39B with a minimum grade of C

Day	22033	MW	11:00-11:50	4127	MCBRIDE	08/17-12/18	GR	V01
		Lab MW	12:00-1:15	4127		08/17-12/18	GR	

**THEA 47A PERFORM IN PROD:INTRO LIVE 3.0 Units**

This course provides instruction and supervised participation in theatre rehearsal and performance. On stage participation in cast of scheduled main stage production. Enrollment by Audition only.

ENROLLMENT BY AUDITION ONLY: Production information online on Theater Arts Department website. Performs October 2-18 (Fri/Sat/Sun). Auditions August 2020. Enrollment is for the duration of the production. Visit <http://laspositascollege.edu/theater/auditions.php> for more info.

Eve	23561	MTWTh	7:00-8:15	4127	LISH	09/08-12/18	GR	LE1
		Lab MTWTh	8:30-10:00	4127		09/08-12/18	GR	

THEA 47A-093 is a Late Start course that meets from Sept 8-Dec 18.

**THEA 47B PERFORMANCE IN PROD: BEGINNING 3.0 Units**

As a continuation of THEA 47A, students will participate in the cast of a scheduled main stage production. Emphasis will be on character development, objectives, and actions. Enrollment by Audition only.

Prerequisite: THEA 47A with a minimum grade of C

ENROLLMENT BY AUDITION ONLY: Production information online on Theater Arts Department website. Performs October 2-18 (Fri/Sat/Sun). Auditions August 2020. Enrollment is for the duration of the production. Visit <http://laspositascollege.edu/theater/auditions.php> for more info.

Eve	23562	MTWTh	7:00-8:15	4127	LISH	09/08-12/18	GR	LE1
		Lab MTWTh	8:30-10:00	4127		09/08-12/18	GR	

THEA 47B-093 is a Late Start course that meets from Sept 8-Dec 18.

**THEA 47C PERFORMANCE IN PROD: INTERMED. 3.0 Units**

This course is a continuation of THEA 47B. Student will participate in the cast of a scheduled main stage production. This course will focus on rehearsal technique, personal creative exploration, and ensemble building and motivated performance response. Enrollment by Audition only.

Prerequisite: THEA 47B with a minimum grade of C

ENROLLMENT BY AUDITION ONLY: Production information online on Theater Arts Department website. Performs October 2-18 (Fri/Sat/Sun). Auditions August 2020. Enrollment is for the duration of the production. Visit <http://laspositascollege.edu/theater/auditions.php> for more info.

Eve	23563	MTWTh	7:00-8:15	4127	LISH	09/08-12/18	GR	LE1
		Lab MTWTh	8:30-10:00	4127		09/08-12/18	GR	

THEA 47C-093 is a Late Start course that meets from Sept 8-Dec 18.

**THEA 47D PERFORMANCE IN PROD:ADVANCED 3.0 Units**

As a continuation of THEA 47C, students will continue to develop onstage with participation in the cast of the scheduled main stage production. This course will emphasize complexity and polish in performance, personal and creative development as a theater professional, and outreach and publicity obligations. Enrollment by Audition only.

Prerequisite: THEA 47C with a minimum grade of C

ENROLLMENT BY AUDITION ONLY: Production information online on Theater Arts Department website. Performs October 2-18 (Fri/Sat/Sun). Auditions August 2020. Enrollment is for the duration of the production. Visit <http://laspositascollege.edu/theater/auditions.php> for more info.

Eve	23564	MTWTh	7:00-8:15	4127	LISH	09/08-12/18	GR	LE1
		Lab MTWTh	8:30-10:00	4127		09/08-12/18	GR	

THEA 47D-093 is a Late Start course that meets from Sept 8-Dec 18.

**THEA 48A TECH THEATER PROD-BEGINNING 3.0 Units**

Students will gain practical experience in the application of production responsibilities in any of the following: stage management, house management, construction, scenery, properties, costume, lighting, sound and running crews. Enrollment is for the duration of the semester.

Strongly Recommended: MATH 107 and THEA 50 with a minimum grade of C

Eve	21866	Tue	4:00-4:50	4128	KELLY	08/17-12/18	OP	093
		Tue	5:00-6:20	4128		08/17-12/18	OP	
		Th	4:00-6:20	4128		08/17-12/18	OP	
		By Arr	1.5 Hrs/Wk	4128		08/17-12/18	OP	

**THEA 48B TECH THEATER PROD-INTERMEDIATE 3.0 Units**

Participation in scheduled productions and events as crew members and/or construction of said productions technical elements, including lighting and sound implementation. Enrollment is for the duration of the semester. Students may participate in the design and board operation of multiple

D/E	CRN	DAYS	TIMES	ROOM	INSTRUCTOR	DATES	CODES	SEC	D/E	CRN	DAYS	TIMES	ROOM	INSTRUCTOR	DATES	CODES	SEC
-----	-----	------	-------	------	------------	-------	-------	-----	-----	-----	------	-------	------	------------	-------	-------	-----

productions or events per semester.

*Prerequisite:* THEA 48A with a minimum grade of C

*Strongly Recommended:* MATH 107 with a minimum grade of C

Eve	21867	Tue	4:00-4:50	4128	KELLY	08/17-12/18	OP	093
Lab		Tue	5:00-6:20	4128		08/17-12/18	OP	
Lab		Th	4:00-6:20	4128		08/17-12/18	OP	
Lab		By Arr	1.5 Hrs/Wk	4128		08/17-12/18	OP	

**THEA 48C TECH THEATER PROD-ADVANCED 3.0 Units**

Participation in scheduled productions as assistant stage managers or assistant designers of said productions technical elements, including scenic, costume, lighting and sound design. Enrollment is for the duration of the semester. Students may participate in more than one production per semester, as needed.

*Prerequisite:* THEA 48B and THEA 50L or THEA 51 or MUS 35 or THEA 52 with a minimum grade of C

*Strongly Recommended:* MATH 107 or MATH 107B with a minimum grade of C

Eve	21868	Th	4:00-4:50	4128	KELLY	08/17-12/18	OP	093
Lab		By Arr	6.0 Hrs/Wk	4128		08/17-12/18	OP	

**THEA 48D TECH THEATER PROD-CAPSTONE 3.0 Units**

Participation in scheduled productions as manager of productions technical elements, which may include stage management, publicity management, or designer's apprentice in lighting, sound, costume, or scenic design. Enrollment is for the duration of the semester. Students may participate in more than one production or event per semester.

*Prerequisite:* THEA 48C, THEA 50L or MUS 35 or THEA 51 or THEA 52 with a minimum grade of C

Eve	21869	Tue	5:30-6:20	4128	KELLY	08/17-12/18	OP	093
Lab		By Arr	6.0 Hrs/Wk	4128		08/17-12/18	OP	

**THEA 50 STAGECRAFT 3.0 Units**

An introduction to technical theatre and the creation of scenic elements. Includes basic concepts of design, painting techniques, set construction, set movement, prop construction, backstage organization, and career possibilities. May include stage management, lighting, and/or sound techniques. Lecture, reading, projects, and practical experience.

Day	22379	TTh	2:00-2:50	4128	KELLY	08/17-12/18	GR	V01
Lab		TTh	3:00-3:50	4128		08/17-12/18	GR	
Lab		By Arr	1.0 Hrs/Wk	4128		08/17-12/18	GR	

**THEA 51 INTRODUCTION TO COSTUME DESIGN 3.0 Units**

Students will study costume history, design, and basic construction techniques as an introduction to basic theatrical costuming. Fabrics and their various uses will be investigated. Design and fabrication of costumes for production; components of basic sewing and costume construction; comprehensive overview of the history of fashion and costume, color, manufacturing techniques; Introduction to basic makeup design; makeup application techniques and design; special effects makeup techniques.

*Strongly Recommended:* THEA 50 with a minimum grade of C

Day	22380	TTh	11:00-11:50	4240	LISH	08/17-12/18	GR	V01
Lab		TTh	12:00-1:15	4240		08/17-12/18	GR	

**THEA 55 MOVEMENT FOR THE ACTOR 1.0 Units**

Movement for the Actor is designed to use movement and gesture for furthering skills in character development, enhancing the actor's understanding of their body as a tool for communication. This course focuses on the actor's body and mind connection, and how they might use that connection. Course included exercises based on various techniques including an introduction to mime, Laban, Viewpoints, character masks, and ensemble development exercises.

Day	23333	Mon	2:30-3:20	4127	MCBRIDE	08/17-12/18	GR	V01
-----	-------	-----	-----------	------	---------	-------------	----	-----

## TUTORING

**TUTR 17A TUTORING THEORY & PRACTICE I 0.5 Units**

Training for college tutors to acquire specific skills and techniques for tutoring in academic and vocational subject areas, and basic skills. The course will provide a conceptual framework of tutoring to guide students in leading effective tutoring sessions.

Day	21728	Fri	12:00-3:00	2401	TSUBOTA	08/28-08/28	OP	LSI
		Fri	12:00-3:00	2401		09/04-09/04	OP	
		Fri	12:00-3:00	2401		09/11-09/11	OP	

*TUTR 17A-LSI meets three times per semester: 8/28/20, 9/4/20, 9/11/20. You must be hired as an LPC peer tutor before registering for this class.*

**TUTR 17B TUTORING THEORY & PRACTICE II 0.5 Units**

Intermediate training class for college tutors. Tutors will acquire specific skills and techniques for tutoring in academic subjects, vocational subjects and basic skills. Required course for second semester tutors participating in the Las Positas College Tutorial Program.

*Prerequisite:* TUTR 17A with a minimum grade of C

Day	21745	Fri	12:00-3:00	2401	TSUBOTA	08/21-08/21	OP	LSI
		Fri	12:00-3:00	2401		09/04-09/04	OP	
		Fri	12:00-3:00	2401		09/18-09/18	OP	

*TUTR 17B-LSI meets three times per semester: 8/21/20, 9/4/20, 9/18/20.*

**TUTR 17C TUTORING THEORY & PRACTICE III 0.5 Units**

Advanced training for college tutors to obtain skills and techniques in academic and vocational subject areas and basic skills remediation. Emphasis upon leading group tutoring sessions and mentoring new tutors. Required course for third semester tutors participating in the Las Positas College Tutorial Program.

*Prerequisite:* TUTR 17B with a minimum grade of C

Day	21849	Fri	12:00-3:00	2401	TSUBOTA	08/21-08/21	OP	LSI
		Fri	12:00-3:00	2401		09/04-09/04	OP	
		Fri	12:00-3:00	2401		09/18-09/18	OP	

*TUTR 17C-LSI meets three times per semester: 8/21/20, 9/4/20, 9/18/20.*

## VITICULTURE AND WINERY TECH

**VWT I WORLD WINES: NEW WORLD 3.0 Units**

This course is a comprehensive exploration of "new world" wines. The winemakers of the "new world" have taken the great grapes of the "old world" and created modern wines for a new generation. Explore the history of wine regions, origins of cultivars and the varied wines of the United States, Australia, New Zealand, South Africa, South America and Mexico.

*Students under the age of 21 must have a declared major of either viticulture and/or enology to participate in any tasting activities as stated in the California State Assembly Bill 1989.*

*VWT I has a \$150.00 material fee.*

Eve	23617	Tue	6:00-8:50	1814	EVERETT	08/17-12/18	GR	093
-----	-------	-----	-----------	------	---------	-------------	----	-----

**VWT 10 INTRODUCTION TO VITICULTURE 3.0 Units**

This is an introduction to general viticulture covering the fundamental principles of the biology and culture of the grapevine. This includes taxonomy, morphology, physiology, distribution, domestication, utilization, propagation, production systems, harvesting, and storage and processing of grapes, with a brief overview of wine making. The class explores climate and soil preferences of *Vitis vinifera*, vineyard establishment, and training young vines. Cultural practice lectures will focus on canopy management disciplines, irrigation strategies, fertilization, pest and disease control, cover cropping and pruning. There will be practical experience workshops in the Campus Hill Vineyard. Successful completion of course should prepare students for



D/E	CRN	DAYS	TIMES	ROOM	INSTRUCTOR	DATES	CODES	SEC	D/E	CRN	DAYS	TIMES	ROOM	INSTRUCTOR	DATES	CODES	SEC
-----	-----	------	-------	------	------------	-------	-------	-----	-----	-----	------	-------	------	------------	-------	-------	-----

upper division courses in viticulture.

*Students under the age of 21 must have a declared major of either viticulture and/or enology to participate in any tasting activities as stated in the California State Assembly Bill 1989.*

Eve	23618	Wed	6:00-8:50	1814	EVERETT	08/17-12/18	GR	093
-----	-------	-----	-----------	------	---------	-------------	----	-----

**VWT 12 LANDSCAPE AND VINEYARD SOILS 3.0 Units**

This course is a study of the physical, chemical and biological properties of soil. Areas of study will include: soil classification, derivation, uses, function and management including erosion, moisture retention, structure, cultivation, organic matter and microbiology. There is a focus on vineyard and landscape planting media, soil substitutes, hydroponics, and amendments to improve and promote plant growth which includes plant and vine nutrition, essential nutrients required for plant growth and healthy development. There will be instruction covering materials used for fertilizers which includes material origins, use, and application; and irrigation systems which will cover materials required for basic irrigation systems used in vineyard and landscape settings.

*Students that take HORT 54 may not receive credit for VWT 12.*

Eve	23631	Wed	6:00-8:20	803	STAFF	08/17-12/18	GR	093
Lab	Wed	8:30-9:45	803			08/17-12/18	GR	

*VWT 12 has two Saturdays meetings: September 12, 10am-4pm, and November 7, 10am-4pm. Locations to be announced.*

**VWT 20 INTRODUCTION TO ENOLOGY 3.0 Units**

This course is an overview of the history of wine, modern viticulture and enology principles and practices, the science of fermentation, and standard winery operations. There is a primer on grape varieties and wine styles produced in major wine-producing regions of the world including California which will focus on regional stylistic expression of specific, heritage varietals. Instruction covering the physiology of wine consumption will precede practical exercises which will include the sensory evaluation of wines.

*Students under the age of 21 must have a declared major of either viticulture and/or enology to participate in any tasting activities as stated in the California State Assembly Bill 1989.*

Eve	22730	Th	6:00-8:50	1826	STAFF	08/17-12/18	GR	093
-----	-------	----	-----------	------	-------	-------------	----	-----

**VWT 31 FALL VINEYARD OPERATIONS 3.0 Units**

This class has a strong emphasis on the practical applications of viticulture. Students will be involved in the operation of the LPC Campus Hill Vineyard putting into action, viticultural practices for the fall and winter seasons including canopy management techniques, irrigation disciplines, pest and disease control, fruit contracts, maturity sampling, harvesting, pruning, erosion control via cover crop, fertilization, weed control, and vineyard development and establishment with a focus on sustainable vineyard management.

*Strongly Recommended: VWT 10 with a minimum grade of C*

*Students under the age of 21 must have a declared major of either viticulture and/or enology to participate in any tasting activities as stated in the California State Assembly Bill 1989.*

Eve	23619	Th	5:30-7:20	1814	EVERETT	08/17-12/18	GR	093
Lab	Th	7:30-10:20	1814			08/17-12/18	GR	

**VWT 41 FALL WINERY OPERATIONS 3.0 Units**

This class has a strong emphasis on the practical applications of winery operations. Students will be involved in the grape processing of the annual LPC Campus Hill Vineyard harvest, putting into action winery operations for the fall season including the planning, managing and implementation of harvest, grape maturity monitoring, press pad equipment operation and safety, handling must and juices, alcoholic and malolactic fermentation disciplines, sensory and laboratory analysis, handling and storage

of new wines, maintenance of wines from previous vintages, winery sanitation, forklift safety and operation and general cellar practices.

*Strongly Recommended: VWT 20 Introduction to Enology*

*Students under the age of 21 must have a declared major of either viticulture and/or enology to participate in any tasting activities as stated in the California State Assembly Bill 1989.*

Eve	23242	Mon	5:30-7:20	1814	EVERETT	08/17-12/18	OP	093
Lab	Mon	7:30-10:20	1814			08/17-12/18	OP	

## WELDING TECHNOLOGY

**WLDT 61A BEG. SMAW AND FCAW THEORY 1.0 Units**

Theory and safety of Shielded Metal Arc (SMAW) and Flux-core Arc (FCAW) welding of steel, flame cutting, plasma and carbon arc cutting. American Welding Society nomenclature, electrode and wire selection, job opportunities. Blueprint reading, welding symbols and hazardous material regulation.

*Corequisite: WLDT 61AL or WLDT 61BL*

Eve	20529	Mon	7:00-7:50	1602	STAFF	08/17-12/18	OP	093
-----	-------	-----	-----------	------	-------	-------------	----	-----

**WLDT 61AL BEG. SMAW AND FCAW SKILLS LAB 2.0 Units**

Skills of Shielded Metal Arc (SMAW) and Flux-Core Arc (FCAW) welding in the flat and horizontal positions to American Welding Society code specifications. Oxy-fuel flame, plasma, and carbon arc cutting. Safe use and handling of welding equipment and consumables.

*Corequisite: WLDT 61A or WLDT 61B.*

*Students enrolled in WLDT 61AL lab class will be assessed a \$70 materials fee at registration.*

Eve	20993	Lab Mon	4:00-7:00	810	STAFF	08/17-12/18	OP	093
Lab	Wed	3:30-6:00	810			08/17-12/18	OP	

**WLDT 61BL ADV. SMAW AND FCAW SKILLS LAB 2.0 Units**

Advanced skills in Shielded Metal Arc (SMAW) and Flux Cored Arc (FCAW) welding of steel in the horizontal, vertical and overhead positions to A.W.S. Codes. Safety and proper use of SMAW, FCAW, oxy-fuel cutting and plasma arc cutting equipment. Blueprint usage in the welding shop environment.

*Prerequisite: WLDT 61AL completed with a minimum grade of C Corequisite: WLDT 61A or WLDT 61B*

*Students enrolled in WLDT 61BL lab class will be assessed a \$70 materials fee at registration.*

Eve	20994	Lab Mon	4:00-7:00	810	STAFF	08/17-12/18	OP	093
Lab	Wed	3:30-6:00	810			08/17-12/18	OP	

**WLDT 62A BEG. GTAW AND GMAW THEORY 1.0 Units**

Theory of fuel and inert gas welding of steel, stainless steel and aluminum alloys, Oxy-Fuel welding, Oxy fuel brazing, flame cutting, and plasma cutting. Gas Tungsten Arc (GTAW) and Gas Metal Arc (GMAW) welding equipment and supplies. Nomenclature and metallurgy of steel, stainless steel and aluminum alloys. Introduction to blueprint reading and welding symbols. Hazardous material regulations and safety data sheets.

*Corequisite: WLDT 62AL or WLDT 62BL*

Eve	20530	Tue	7:00-7:50	1602	STAFF	08/17-12/18	OP	093
-----	-------	-----	-----------	------	-------	-------------	----	-----

**WLDT 62AL BEG. GTAW AND GMAW SKILLS LAB 2.0 Units**

Skills of TIG (GTAW) and MIG (GMAW) welding of ferrous and non-ferrous alloys in the flat and horizontal positions to A.W.S. codes. Safety and proper use of TIG and MIG equipment, oxy-fuel welding and cutting, plasma cutting. Blueprint usage in welding shop environment.

*Corequisite: WLDT 62A or WLDT 62B*

*Students enrolled in WLDT 62AL lab class will be assessed a \$75 materials fee at registration.*

D/E	CRN	DAYS	TIMES	ROOM	INSTRUCTOR	DATES	CODES	SEC	D/E	CRN	DAYS	TIMES	ROOM	INSTRUCTOR	DATES	CODES	SEC
-----	-----	------	-------	------	------------	-------	-------	-----	-----	-----	------	-------	------	------------	-------	-------	-----

Day	22142	Lab Tue	1:15-4:15	810	STAFF	08/17-12/18	OP	V01	Sat	22529	Lab Sat	9:00-2:50	810	STAFF	08/17-12/18	OP	WEI
		Lab Th	1:00-3:30	810		08/17-12/18	OP										
Eve	20531	Lab Tue	4:30-6:45	810	STAFF	08/17-12/18	OP	093									
		Lab Th	3:30-6:45	810		08/17-12/18	OP										

**WLDT 62BL ADVANCED GTAW/GMAW SKILLS LAB 2.0 Units**

Advanced skills in Gas Tungsten Arc (GTAW) and Gas Metal Arc (GMAW) welding of ferrous and non-ferrous alloys in the horizontal, vertical and overhead positions to A.W.S. codes. Safety and proper use of TIG and MIG equipment, oxy-fuel welding and cutting, plasma cutting. Blueprint usage in welding shop environment. Pipe and tubing fit-up and welding.

Prerequisite: WLDT 62AL with a minimum grade of C

Corequisite: WLDT 62A or WLDT 62B

Students enrolled in WLDT 62BL lab class will be assessed a \$75 materials fee at registration.

Eve	20532	Lab Tue	4:30-6:45	810	STAFF	08/17-12/18	OP	093
		Lab Th	3:30-6:45	810		08/17-12/18	OP	

**WLDT 66 WELDING INSPECTION & TESTING 2.0 Units**

Theory and skills in performing inspections and tests using American Welding Society (AWS) codes and their role in welding inspection. The role and duties of the Certified Welding Inspector (CWI).

Strongly Recommended: WLDT 61AL or WLDT 62AL with a minimum grade of C

Eve	23611	Wed	6:00-6:50	1602	STAFF	08/17-12/18	OP	093
		Lab Wed	7:00-9:50	1602		08/17-12/18	OP	

**WLDT 67A WELDING SKILLS LAB 2.0 Units**

Development and improvement of skills in Shielded Metal Arc (SMAW), Flux Cored Arc (FCAW), Gas Metal Arc (GMAW), and Gas Tungsten Arc (GTAW) welding.

Strongly Recommended: WLDT 61AL or WLDT 62AL or WLDT 70 or WLDT 71 with a minimum grade of C

Students enrolled in WLDT 67A lab class will be assessed a \$40 materials fee at registration.

Eve	20533	Lab Mon	4:00-7:00	810	STAFF	08/17-12/18	OP	093
		Lab Wed	3:30-6:00	810		08/17-12/18	OP	
Eve	20534	Lab Tue	4:30-6:45	810	STAFF	08/17-12/18	OP	095
		Lab Th	3:30-6:45	810		08/17-12/18	OP	
Sat	22527	Lab Sat	9:00-2:50	810	STAFF	08/17-12/18	OP	WEI

**WLDT 67B ADVANCED WELDING SKILLS LAB 2.0 Units**

Advanced development and improvement of skills in Shielded Metal Arc (SMAW), Flux-core (FCAW), Gas Metal Arc (GMAW), and Gas Tungsten Arc (GTAW) welding.

Strongly Recommended: WLDT 67A with a minimum grade of C

Students enrolled in WLDT 67B lab class will be assessed a \$40 materials fee at registration.

Eve	21328	Lab Mon	4:00-7:00	810	STAFF	08/17-12/18	OP	093
		Lab Wed	3:30-6:00	810		08/17-12/18	OP	
Eve	20535	Lab Tue	4:30-6:45	810	STAFF	08/17-12/18	OP	094
		Lab Th	3:30-6:45	810		08/17-12/18	OP	
Sat	22528	Lab Sat	9:00-2:50	810	STAFF	08/17-12/18	OP	WEI

**WLDT 68 CERTIFICATION PREPARATION 2.0 Units**

Welding skills preparation for certification testing. Theory of American Welding Society D1.1, American Society of Mechanical Engineers Section IX and American Petroleum Institute 1104.

Strongly Recommended: WLDT 61AL or WLDT 61BL or WLDT 62AL or WLDT 62BL or WLDT 69A or WLDT 69B with a minimum grade of C

Students enrolled in WLDT 68 lab class will be assessed a \$40 materials fee at registration.

Eve	20536	Lab Mon	4:00-7:00	810	STAFF	08/17-12/18	OP	093
		Lab Wed	3:30-6:00	810		08/17-12/18	OP	
Eve	20995	Lab Tue	4:30-6:45	810	STAFF	08/17-12/18	OP	094
		Lab Th	3:30-6:45	810		08/17-12/18	OP	

**WLDT 69A BEGINNING PIPE WELDING 3.0 Units**

Theory and practical application of: pipe joint preparation and design, API (American Petroleum Institute) and AWS (American Welding Society) welding codes specification for pipe and pipe fittings, analysis of joint configuration, plasma and flame cutting of pipes, wire and electrodes selections, beginning of pipe welding blue print and welding symbols, SMAW, GMAW, FCAW, and GTAW of pipe joints, non-destructive and destructive test and qualitative concepts of evaluation. Welding in the 1G and 2G positions.

Prerequisite: WLDT 61BL or WLDT 62BL with a minimum grade of C

Students enrolled in WLDT 69A will be assessed a \$100 materials fee at registration.

Sat	22530	Sat	8:00-8:50	810	STAFF	08/17-12/18	OP	WEI
		Lab Sat	9:00-2:50	810		08/17-12/18	OP	

**WLDT 69B ADVANCED PIPE WELDING 3.0 Units**

Theory and practical application of pipe joint preparation and design, API (American Petroleum Institute) and AWS (American Welding Society) welding codes specifications for pipe and pipe fittings, analysis of joint configuration, plasma and flame cutting of pipes, wire and electrodes selections, beginning of pipe welding blue print and welding symbols, SMAW, GMAW, FCAW and GTAW of pipe joints, non-destructive and destructive test and qualitative concepts of evaluation. Welding in the 5G and 6G positions.

Prerequisite: WLDT 69A completed with a minimum grade of C

Students enrolled in WLDT 69B will be assessed a \$75 materials fee at registration.

Sat	22531	Sat	8:00-8:50	810	STAFF	08/17-12/18	OP	WEI
		Lab Sat	9:00-2:50	810		08/17-12/18	OP	

**WLDT 70 INTRODUCTION TO WELDING 2.0 Units**

Basic skills in Shielded Metal Arc (SMAW), Gas Tungsten Arc (GTAW), Gas Metal Arc (GTAW) and Flux Core Arc (FCAW) welding. Oxy-fuel welding and thermal cutting. Emphasis on safety, proper usage, theory and care of welding equipment.

Eve	21899	Mon	3:30-4:20	*	STAFF	08/17-12/18	OP	093
		Lab Mon	4:30-5:20	*		08/17-12/18	OP	
		Lab Wed	3:30-5:20	*		08/17-12/18	OP	

\*WLDT 70-093 meets offsite at UNIVERSITY OF PHOENIX 2481 CONSTITUTION DRIVE, LIVERMORE, CA

Eve	23610	Fri	6:00-6:50	1602	STAFF	08/17-12/18	OP	094
		Lab Fri	7:00-9:50	810		08/17-12/18	OP	

**WLDT 71 WELDING FOR THE ARTS 3.0 Units**

Provides basic welding, shop skills and instruction that artistically inclined individuals should know in order to be effective in the process of creating metal art and sculpture. Provides instruction on types of metals aluminum, iron, steel, cast iron, bronze, stainless steel, etc.), mechanical fastenings, cutting and permanent joining together of metals and alloys through welding processes such as SMAW, GMAW, GTAW, FCAW, oxyacetylene and braze welding, plasma and fuel gas cutting. Instruction includes general shop safety, equipment use, finishing, welding electricity fundamentals, welding consumable identification, and hazardous materials regulation.

Day	22509	TTh	9:00-9:50	810	STAFF	08/17-12/18	OP	V01
		Lab TTh	10:00-1:00	810		08/17-12/18	OP	

**WLDT 72A BEGINNING LASER WELDING 2.0 Units**

This course will cover the theory and concepts associated with modern laser welding of metals and materials. The use of the laser in the manufacturing environment will be shown along with typical applications. The different types of lasers available for welding. The advantages and disadvantages of continuous

D/E	CRN	DAYS	TIMES	ROOM	INSTRUCTOR	DATES	CODES	SEC	D/E	CRN	DAYS	TIMES	ROOM	INSTRUCTOR	DATES	CODES	SEC
-----	-----	------	-------	------	------------	-------	-------	-----	-----	-----	------	-------	------	------------	-------	-------	-----

power laser welding and pulsed laser welding.

*Strongly Recommended: MATH 71 or MATH 71A and/or MATH 71B with a minimum grade of C*

Eve	22510	Th	6:00-7:50	1056	STAFF	08/17-12/18	OP	093
-----	-------	----	-----------	------	-------	-------------	----	-----

**WLDT 72B INTERMEDIATE LASER WELDING 3.0 Units**

This course will cover the theory and applied skills associated with modern laser welding of metals and materials. Hands-on use of the laser welding equipment will be shown along with typical applications. The different types of joint configurations for welding will be covered. The tools for measuring and monitoring laser welding performance will be explored. Methods of inspection, as well as defect detection, their cause and corrective action will be discussed. Practical application of codes and specifications for industrial laser welding applications will be reviewed. Laser welding safety requirements and personal protective equipment.

*Prerequisite: WLDT 72A with a minimum grade of C May be taken concurrently*

Eve	22532	Th	7:00-7:50	1056	STAFF	08/17-12/18	OP	093
		Th	8:00-10:15	814		08/17-12/18	OP	
		Lab	By Arr	3.0 Hrs/Wk	814	08/17-12/18	OP	

**WLDT 73 WELDING WORKPLACE SAFETY 1.0 Units**

This course provides the safety knowledge required to operate safely in a welding or construction workplace environment. This course will emphasize hazard identification, avoidance and control as a means to proactively create a safe workplace environment. OSHA safety standards will be emphasized throughout to maintain consistency with workplace environment. This course meets the 10 hour OSHA construction safety training requirements.

Eve	23612	Th	7:00-8:50	1602	STAFF	08/17-10/09	OP	093
-----	-------	----	-----------	------	-------	-------------	----	-----

## WOMENS STUDIES

**WMST 1 INTRO TO WOMEN'S STUDIES 3.0 Units**

Examines the cultural, historical, social, political and economic experiences of women in the United States. Introduces feminist perspectives on a wide range of issues affecting women incorporating race, class, ethnicity, sexual orientation and the life cycle. Analysis of African American women, Asian American women, Chicanas, European American women and Middle Eastern American women.

Day	20785	TTh	11:00-12:15	2480	BENGIVENO	08/17-12/18	OP	VO1
-----	-------	-----	-------------	------	-----------	-------------	----	-----

## WORK EXPERIENCE

**WRKX 94 OCCUPATIONAL WORK EXP/INTERN. 1.0 Units**

This course of supervised employment provides students with the opportunity to earn college credit for developing marketable skills while working in their major field of study. Students working in a part-time or full-time, paid or unpaid internship or position related to their major field of study will contract, in collaboration with their work supervisor and instructor, to set measurable, achievable goals; accomplish new or expanded learning objectives; and broaden work skills and experiences. Students will apply discipline-specific knowledge, skills, and abilities gained in the classroom. Students can earn .5 to 8 units per semester for a maximum of 16 units of Cooperative Work Experience, which includes General Work Experience and Occupational Work Experience/Internship. Students must work 75 paid hours or 60 unpaid hours per unit earned during the semester.

*To enroll in the correct WRKX 94 section, you need to determine the number of units*

*you will earn during the semester. Units are based on the number of hours worked per semester. To determine your units, please refer to the Units/Hours/Section Chart at <http://www.laspositascollege.edu/workexperience/faq.php> and to the right.*

*The following WRKX 94 sections require internet access. Students must already have employment or unpaid work. Students are required to attend one orientation and can choose from the following three options: On-Campus Orientation on Tuesday, September 8, 6:00-6:50pm in Room PE209; On-Campus Orientation on Wednesday, September 9, 6:00-6:50pm in Room PE209; or Online Live Orientation on Thursday, September 10, 7:00-7:50pm announced in the course on Canvas.*

Web 22423	1.0 Hrs/Wk	ONLINE	LAUFFER	09/08-12/18	OP	LO1
Web 23066	2.0 Hrs/Wk	ONLINE	LAUFFER	09/08-12/18	OP	LO2
Web 23067	3.0 Hrs/Wk	ONLINE	LAUFFER	09/08-12/18	OP	LO3
Web 23068	4.0 Hrs/Wk	ONLINE	LAUFFER	09/08-12/18	OP	LO4
Web 23069	5.0 Hrs/Wk	ONLINE	LAUFFER	09/08-12/18	OP	LO5
Web 23070	6.0 Hrs/Wk	ONLINE	LAUFFER	09/08-12/18	OP	LO6
Web 23071	7.0 Hrs/Wk	ONLINE	LAUFFER	09/08-12/18	OP	LO7
Web 23072	8.0 Hrs/Wk	ONLINE	LAUFFER	09/08-12/18	OP	LO8
Web 23459	1.0 Hrs/Wk	ONLINE	STAFF	09/08-12/18	OP	LOA
Web 23460	2.0 Hrs/Wk	ONLINE	STAFF	09/08-12/18	OP	LOB
Web 23461	3.0 Hrs/Wk	ONLINE	STAFF	09/08-12/18	OP	LOC
Web 23462	4.0 Hrs/Wk	ONLINE	STAFF	09/08-12/18	OP	LOD
Web 23463	5.0 Hrs/Wk	ONLINE	STAFF	09/08-12/18	OP	LOE
Web 23464	6.0 Hrs/Wk	ONLINE	STAFF	09/08-12/18	OP	LOF
Web 23465	7.0 Hrs/Wk	ONLINE	STAFF	09/08-12/18	OP	LOG
Web 23466	8.0 Hrs/Wk	ONLINE	STAFF	09/08-12/18	OP	LOH

**WRKX 95 GENERAL WORK EXPERIENCE 1.0 Units**

This course of supervised employment provides students with the opportunity to earn college credit while working and developing desirable work habits, attitudes, and skills. Students working in any part-time or full-time, paid or unpaid position will contract, in collaboration with their work supervisor and instructor, to set measurable, achievable goals; accomplish new or expanded learning objectives; and broaden work skills and experiences. The work experience need not be related to the students' educational goals. Students can earn 1 to 6 units per semester for a maximum of 16 units of Cooperative Work Experience, which includes General Work Experience and Occupational Work Experience/Internship. Students must work 75 paid hours or 60 unpaid hours per unit earned during the semester.

*To enroll in the correct WRKX 95 section, you need to determine the number of units you will earn during the semester. Units are based on the number of hours worked per semester. To determine your units, please refer to the Units/Hours/Section Chart at <http://www.laspositascollege.edu/workexperience/faq.php>*

*The following WRKX 95 sections require internet access. Students must already have employment or unpaid work. Students are required to attend one orientation and can choose from the following three options: On-Campus Orientation on Monday, August 31, 6:00-6:50PM in Room PE209; On-Campus Orientation on Tuesday, September 1, 6:00-6:50PM in Room PE209; or Online Live Orientation on Thursday, September 3, 7:00-7:50PM announced in the course on Canvas.*

Web 22425	1.0 Hrs/Wk	ONLINE	LAUFFER	09/08-12/18	OP	LO1
Web 22426	2.0 Hrs/Wk	ONLINE	LAUFFER	09/08-12/18	OP	LO2
Web 20628	3.0 Hrs/Wk	ONLINE	LAUFFER	09/08-12/18	OP	LO3
Web 22424	4.0 Hrs/Wk	ONLINE	LAUFFER	09/08-12/18	OP	LO4
Web 23064	5.0 Hrs/Wk	ONLINE	LAUFFER	09/08-12/18	OP	LO5
Web 23065	6.0 Hrs/Wk	ONLINE	LAUFFER	09/08-12/18	OP	LO6
Web 23467	1.0 Hrs/Wk	ONLINE	STAFF	09/08-12/18	OP	LOA
Web 23468	2.0 Hrs/Wk	ONLINE	STAFF	09/08-12/18	OP	LOB
Web 23469	3.0 Hrs/Wk	ONLINE	STAFF	09/08-12/18	OP	LOC
Web 23470	4.0 Hrs/Wk	ONLINE	STAFF	09/08-12/18	OP	LOD
Web 23471	5.0 Hrs/Wk	ONLINE	STAFF	09/08-12/18	OP	LOE
Web 23472	6.0 Hrs/Wk	ONLINE	STAFF	09/08-12/18	OP	LOF
Web 23473	1.0 Hrs/Wk	ONLINE	STAFF	09/08-12/18	OP	LOG
Web 23474	2.0 Hrs/Wk	ONLINE	STAFF	09/08-12/18	OP	LOH
Web 23475	3.0 Hrs/Wk	ONLINE	STAFF	09/08-12/18	OP	LOI



D/E	CRN	DAYS	TIMES	ROOM	INSTRUCTOR	DATES	CODES	SEC	D/E	CRN	DAYS	TIMES	ROOM	INSTRUCTOR	DATES	CODES	SEC
Web	23476		4.0 Hrs/Wk	ONLINE	STAFF	09/08-12/18	OP	LOJ									
Web	23477		5.0 Hrs/Wk	ONLINE	STAFF	09/08-12/18	OP	LOK									
Web	23478		6.0 Hrs/Wk	ONLINE	STAFF	09/08-12/18	OP	LOL									

**Units/Hours/Section Chart**

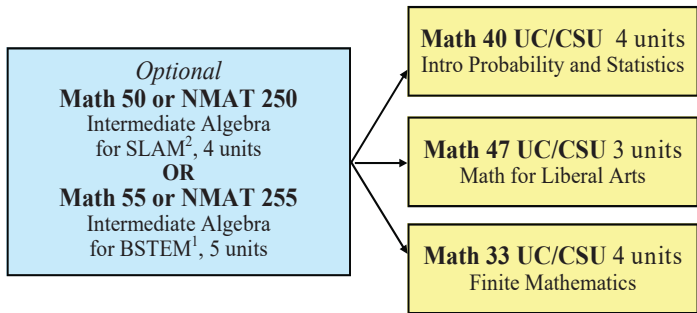
Units	Total Hours Paid	Total Hours Unpaid	Section <i>(varies for Instructor)</i>
1.0 UNIT	75	60	L01
2.0 UNITS	150	120	L02
3.0 UNITS	225	180	L03
4.0 UNITS	300	240	L04
5.0 UNITS	375	300	L05
6.0 UNITS	450	360	L06
7.0 UNITS*	525	420	L07
8.0 UNITS*	600	480	L08

\*Applicable to WRKX 94 only. The semester unit limit for WRKX 94 is 8.0 units. The semester unit limit for WRKX 95 is 6.0 units.

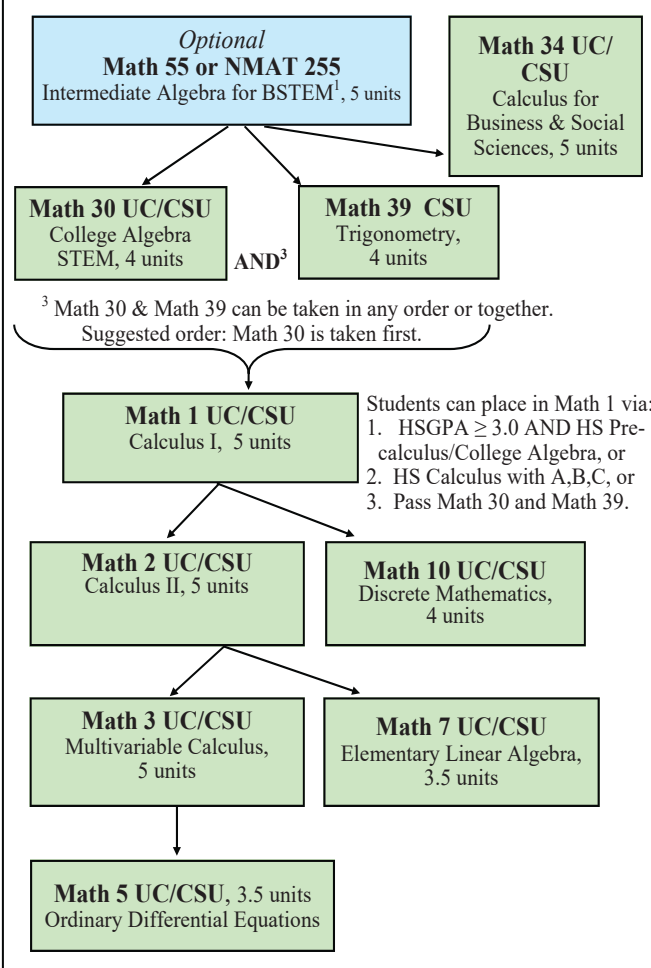
# LAS POSITAS COLLEGE

## MATH COURSE PATHWAYS Starting Fall 2019

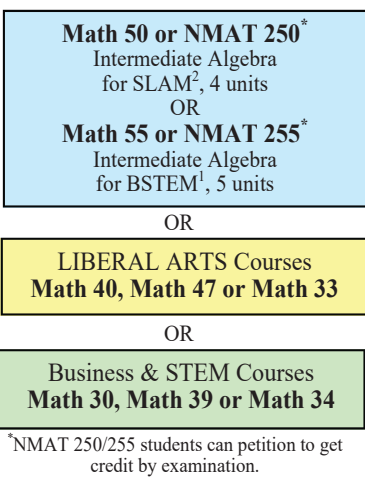
### LIBERAL ARTS PATHWAY TO TRANSFER



### BUSINESS & STEM<sup>1</sup> SEQUENCE for TRANSFER



### ASSOCIATE DEGREE PATHWAY



### SUPPORT OPTIONS

**Math Jam**  
 Award winning & tuition-free! Offered week *before* the Fall and Spring semesters. Innovative learning interventions help you prepare for upcoming mathematic courses. Proven to increase student success and retention rates!

**Concurrent Support**  
 NEW! Jam all semester with RECOMMENDED support *during* the semester. Offered for credit or tuition-free (noncredit). Aligned with your math course and designed with innovative strategies to provide math and learning support.

### Automotive and Welding Technical Pathway

#### Technical Pathway to Associate's Degree

7 unit sequence to complete in two semesters.  
 Satisfies the mathematics requirement for an AS degree.

#### Welding Certificate Pathway

4 unit sequence to complete in 1 or 2 semesters.  
 Satisfies the mathematics requirement for a Welding Certificate.

Offered only in Emporium Mode. Emporium classes are designed to provide maximum flexibility and support with contextualized material. Self-accelerate through the material at a pace that is right for you. To learn more, visit [www.laspositascollege.edu/mathemporium](http://www.laspositascollege.edu/mathemporium)

### FOUNDATIONAL MATH

Solidify your math understanding prior to Intermediate Algebra or transfer-level. We offer credit and tuition-free (noncredit) foundational and associate degree level math courses to meet your learning needs.

**Math 110 or NMAT 210**  
 Elementary Algebra, 4 units

**Math 107 or NMAT 207**  
 Prealgebra, 4 units

<sup>1</sup>BSTEM = Business, Science, Technology, Engineering and Mathematics

<sup>2</sup>SLAM = Statistics and Liberal Arts Mathematics

- Foundational Math Courses
- Associate Degree Level Math Courses
- SLAM Transfer Level Math Courses
- BSTEM Transfer Level Math Courses

**CSU = Transferable to CSU**

**UC = Transferable to UC**

Transfer limitations to UC are as follows: 1, 2, and 33, 34 combined: maximum credit, one series

For more information about pathway and support options that are right for you, visit:

[www.LasPositasCollege.edu/Math](http://www.LasPositasCollege.edu/Math)

# Mathematics Support Designed for YOU

Achieve your goals efficiently and successfully with  
**NEW pathways and support options at LPC!**

Beginning Fall 2019, students are encouraged to enroll directly into a transfer-level course. Students should consider their academic goal, past achievements and experiences, and take advantage of the many resources available to support them at LPC.

**At Las Positas, we are dedicated to providing you with the best academic opportunities so you can achieve your learning goals.** Learning Math takes time and dedication. In college, you are expected to spend 10 to 15 hours each week studying, doing homework, and reviewing outside of class in order to be successful!

We want to make sure your precious time is *streamlined* and *productive*.

Starting Fall 2019, Las Positas College will be offering support courses that can be taken tuition-free or for credit, depending on your personal needs.

## Enroll in your Math class with confidence!

### MATH JAM PREPARATION

**Award winning, 1-week before the semester starts, & tuition-free!**

Offered week before the Fall and Spring semesters. Innovative learning interventions help you prepare for upcoming mathematics courses.

Proven to increase student success and retention rates!



#### NMAT 261

Math Jam for Prealgebra

#### NMAT 262

Math Jam for Elementary Algebra

#### NMAT 263

Math Jam for Intermediate Algebra

#### NMAT 264

Math Jam for SLAM (Statistics, Liberal Arts Math)

#### NMAT 265

Math Jam for BSTEM (Business Calculus, College Algebra, and Trigonometry)

#### MATH 66\* 1 unit

Math Jam for Calculus (Calculus I, II & III)

\* Offered for credit only

### CONCURRENT SUPPORT

**NEW! Jam all semester long with RECOMMENDED support during the semester.**

Offered for credit or tuition-free (noncredit). Aligned with your math course and designed with innovative strategies to provide math and learning support while taking your math class.

**NMAT 200C or MATH 100C**  
 Concurrent Support for SLAM (Statistics, Liberal Arts Math)

**NMAT 201C or MATH 101C**  
 Concurrent Support for BSTEM (Business Calculus, College Algebra, and Trigonometry)

**MATH 66C\*** 1 unit  
 Concurrent Support for Calculus I, II and III  
 \* Offered for credit only

**NMAT 255C or MATH 55C**  
 Concurrent Support for Intermediate Algebra

**NMAT 210C or MATH 110C**  
 Concurrent Support for Elementary Algebra

### FOUNDATIONAL and ASSOCIATE'S DEGREE LEVEL

Solidify your math understanding *prior* to Intermediate Algebra or transfer level. We offer credit and tuition-free (noncredit) foundational and associate degree level math courses to meet your learning needs.

**Math 55** (5 units)  
 or  
**NMAT 250**  
 Intermediate Algebra for BSTEM (Business and STEM Fields)

**Math 50** (4 units)  
 or  
**NMAT 250**  
 Intermediate Algebra for SLAM (Statistics, Liberal Arts Math)

or

**Math 110** (4 units)  
 or  
**NMAT 210**  
 Elementary Algebra

**Math 107** (4 units)  
 or  
**NMAT 207**  
 Prealgebra



\***NMAT** courses are **tuition-free**, repeatable, **noncredit** mathematics courses. NMAT 250/255 students can petition to get credit by examination.



# ONLINE LEARNING

## GETTING STARTED WITH ONLINE COURSES

### WHAT IS AN ONLINE COURSE?

An online course is a course that is conducted over the Internet. Las Positas College uses the Canvas course management system to deliver its online courses. Canvas allows students to communicate, collaborate, and complete coursework – all within a secure environment.

### ARE THERE OPTIONAL ORIENTATIONS?

Yes.

For Summer: Jun 10 from 12-1:30pm ONLINE  
Jun 11 from 1-2:30pm in Room 2410.

For Fall: Aug 11 from 12-1:30pm ONLINE  
Aug 12 from 1-2:30pm in Room 2410.

No registration needed. Orientations are not course-specific. See the LPC Online Learning website for more information.

### HOW DO ONLINE COURSES WORK?

Class sessions, course materials, and exercises are accessible any time and any day convenient to you. All of your coursework, including discussions, groupwork, and writing assignments, is done electronically. Simply log into your course through a web browser, and you're in class. Most of these classes are not self-paced, so you'll be required to adhere to due dates for assignments, quizzes, tests, etc.

### HOW DO I KNOW IF I'M READY TO TAKE ONE?

Here are qualities that successful online students possess:

- Independent learner
- Self-motivated
- Good time-management skills
- Disciplined
- Daily access to a computer with an Internet connection
- Comfortable using a web browser and uploading/downloading files to/from the Internet
- Comfortable sending and opening attachments
- Comfortable using word-processing programs

If you don't possess these qualities, you might want to take an on-campus course instead. If you are unsure about your qualities, contact a counselor.

### HOW CAN I PREPARE FOR MY FIRST ONLINE COURSE?

If you are registered for an online course, you will be emailed information on how to self-enroll into an optional course called Quest for Online Success. If you feel more comfortable attending an orientation in person, come to campus for an optional orientation.

### WILL I HAVE A COLLEGE EMAIL ADDRESS?

Yes. Your college email, or Zonemail, address will be the default used in Canvas. However, you can set up automatic forwarding in Zonemail to your private account, or you can change your default address in CLASS-Web. Go to the LPC Online Learning website to learn more about Zonemail.

### ARE ONLINE COURSES EASIER THAN ON-CAMPUS COURSES?

No. Although they cover the same content, they require at least as much time as on-campus courses. Typically, successful students report spending more time, not less, in an online course.

### WHAT ARE THE TECHNICAL REQUIREMENTS?

Chrome is the preferred browser for Canvas. However, make sure you have multiple browsers installed because if something doesn't work in one browser, it should work in the other. For other tech requirements, go to the LPC Online Learning web site.

### IS THERE ANY TECHNICAL SUPPORT FOR STUDENTS?

Yes. For Canvas support, you can fill out a web form, call, email, or walk into the Computer Center in Room 803 on campus for technical support. Computer Center hours are posted on the LPC Online Learning website, along with the aforementioned methods of communication. If you need assistance when the Computer Center is closed, you can call Canvas directly at 1-844-600-4956.

### IS THERE ANY ACADEMIC SUPPORT FOR STUDENTS?

Yes. LPC offers online counseling and online tutoring for all LPC students. Information about online counseling and online tutoring is available on the LPC Online Learning website.

### IF I BEGIN THE COURSE LATE, CAN AN INSTRUCTOR DROP ME?

Yes. The instructor may drop students who miss the first meeting of a course. The first meeting of online or hybrid Distance Education courses is the first day of the class as specified in the class schedule listing. For these courses, instructors may drop students who do not log into their Canvas course and/or complete indicated activities by the third day of classes. DE instructors may drop students if they have not submitted work and/or accessed the class for two consecutive weeks. Students are responsible for dropping or withdrawing from classes. Failure to follow the withdrawal procedures may result in a grade of "F" or "NP."

For Summer courses, DE instructors may drop students if they have not submitted work and/or accessed the class for one week.

### HOW DO I GET STARTED WITH AN ONLINE COURSE?

**Step 1:** Register via CLASS-Web by going to <http://banner-web.clpccd.cc.ca.us:700>.

**Step 2:** On the first day of class, log into Canvas by following the instructions on the LPC Online Learning website at:

<http://www.laspositascollege.edu/onlinelearning>

# ONLINE LEARNING

## FALL 2020 ONLINE COURSES

CRN	COURSE	SEC	DESCRIPTION	UNITS	CRN	COURSE	SEC	DESCRIPTION	UNITS
<b>Full Term (Aug 17 - Dec 18)</b>					20245	...ENG 1A	..... DE1	....Critical Reading and Comp	3.0
21851	...ANTR 1	..... DE1	....Biological Anthropology	3.0	20301	...ENG 1A	..... DE2	....Critical Reading and Comp	3.0
20138	...ASTR 10	.... DE1	....Intro to Astr The Solar System	3.0	21860	...ENG 1A	..... DE3	....Critical Reading and Comp	3.0
21721	...BIO 20	..... DE1	....Contemporary Human Biology	3.0	21861	...ENG 1A	..... DE4	....Critical Reading and Comp	3.0
21714	...BIO 40	..... DE1	....Humans and the Environment	3.0	21862	...ENG 1A	..... DE5	....Critical Reading and Comp	3.0
20347	...BUSN 18	..... DE1	....Business Law	4.0	22021	...ENG 1A	..... DE6	....Critical Reading and Comp	3.0
21373	...BUSN 1A	... DE1	....Financial Accounting	4.0	22534	...ENG 1A	..... DE7	....Critical Reading and Comp	3.0
21579	...BUSN 1B	..... DE1	....Managerial Accounting	4.0	23574	...ENG 1A	..... DE8	....Critical Reading and Comp	3.0
21685	...BUSN 30	..... DE1	....Business Ethics and Society	3.0	23244	...ENG 1A	..... DE9	....Critical Reading and Comp	3.0
23549	...BUSN 51	..... DE1	....General Accounting	3.0	21773	...ENG 4	..... DE1	....Critical Thinking/Writing Lit	3.0
21922	...BUSN 52	..... DE1	....Business Communications	3.0	21775	...ENG 4	..... DE2	....Critical Thinking/Writing Lit	3.0
20972	...BUSN 55	..... DE1	....Business Mathematics	3.0	23213	...ENG 4	..... DE3	....Critical Thinking/Writing Lit	3.0
20590	...BUSN 61	..... DE1	....Quickbooks Accounting	1.5	20983	...ENG 7	..... DE1	....Critical Thinking/Writing	3.0
20358	...CIS 43	..... DE1	....Professional Communications	3.0	21087	...ENG 7	..... DE2	....Critical Thinking/Writing	3.0
20264	...CIS 50	..... DE1	....Intro to Computing Info Tech	3.0	21863	...ENG 7	..... DE3	....Critical Thinking/Writing	3.0
20018	...CIS 50	..... DE2	....Intro to Computing Info Tech	3.0	23214	...ENG 7	..... DE4	....Critical Thinking/Writing	3.0
20555	...CIS 54	..... DE1	....Excel: Intro to Spreadsheets	4.0	23670	...ENG 7	..... DE5	....Critical Thinking/Writing	3.0
21752	...CIS 54	..... DE2	....Excel: Intro to Spreadsheets	4.0	22683	...FREN 1A	.... DE1	....Beginning French	5.0
21836	...CIS 55	..... DE1	....Integrating Office Application	4.0	23671	...FREN 1B	.... DE1	....Elementary French	5.0
21919	...CIS 57	..... DE1	....Database Concepts	3.0	20587	...GEOG 1	.... DE1	....Intro to Physical Geography	3.0
20654	...CIS 60	..... DE1	....Systems Analysis and Design	3.0	21852	...GEOG 1	.... DE2	....Intro to Physical Geography	3.0
22508	...CIS 66	..... DE1	....Networking Fundamentals	3.0	20332	...GEOL 1	.... DE1	....Physical Geology	3.0
22354	...CIS 74	..... DE1	....Office Procedures	3.0	23401	...HEA 1	..... DE1	....Intro to Personal Health	3.0
20997	...CIS 79	..... DE1	....Medical Office Procedure	3.0	23405	...HEA 1	..... DE2	....Intro to Personal Health	3.0
23344	...CIS 92	..... DE1	....Web: PHP Programming, MySQL	3.0	23406	...HEA 1	..... DE3	....Intro to Personal Health	3.0
22051	...CMST 1	..... DE1	....Fundamentals Public Speaking	3.0	23407	...HEA 1	..... DE4	....Intro to Personal Health	3.0
22059	...CMST 1	..... DE2	....Fundamentals Public Speaking	3.0	23408	...HEA 3	..... DE1	....Women's Health	3.0
22061	...CMST 1	..... DE3	....Fundamentals Public Speaking	3.0	23665	...HEA 7	..... DE1	....Introduction to Public Health	3.0
23257	...CMST 1	..... DE4	....Fundamentals Public Speaking	3.0	20345	...HIST 1	..... DE1	....Western Civilization to 1600	3.0
22056	...CMST 1	..... DE5	....Fundamentals Public Speaking	3.0	20154	...HIST 7	..... DE1	....US Hist.Through Reconstruction	3.0
22339	...CMST 10	..... DE1	....Interpersonal Communication	3.0	20499	...HIST 7	..... DE2	....US Hist.Through Reconstruction	3.0
23348	...CMST 10	..... DE2	....Interpersonal Communication	3.0	22481	...HIST 7	..... DE3	....US Hist.Through Reconstruction	3.0
22341	...CMST 46	... DE1	....Argumentation and Debate	3.0	20028	...HIST 8	..... DE1	....US Hist. Post-Reconstruction	3.0
20359	...CNT 43	..... DE1	....Professional Communications	3.0	20500	...HIST 8	..... DE2	....US Hist. Post-Reconstruction	3.0
22573	...CNT 51	..... DE1	....CompTIA'S A+ Cert. Comp. Tech	4.0	22482	...HIST 8	..... DE3	....US Hist. Post-Reconstruction	3.0
22513	...CNT 52	..... DE1	....Networking Fundamentals	3.0	20145	...HUMN 10	.. DE1	....American Arts and Ideas	3.0
22689	...CNT 55	..... DE1	....MCSA-I Windows Server	3.0	22154	...HUMN 28	.. DE1	....World Mythology	3.0
22689	...CNT 55	..... DE1	....MCSA-I Windows Server	3.0	23356	...KIN 5	..... DE1	....Sports Management	3.0
21581	...CNT 69	..... DE1	....Network Security; CompTIA	3.0	21076	...KIN PF	..... HD1	....Personal Fitness	1.0
20360	...CS 43	..... HD1	....Professional Communications	3.0	23224	...MATH 40	... DE1	....Statistics and Probability	4.0
22429	...ECE 50	..... DE1	....Early Childhood Principles	3.0	20525	...MKTG 50	... DE1	....Introduction to Marketing	3.0
22430	...ECE 54	..... DE1	....Child Health, Safety & Nutr.	3.0	22420	...MKTG 56	... DE1	....Marketing Strategies	3.0
22433	...ECE 56	..... DE1	....Child Growth and Development	3.0	22731	...MSCM 31	.. DE1	....Introduction to Media	3.0
22437	...ECE 62	..... DE1	....Child, Family and Community	3.0	20853	...MUS 1	..... DE1	....Introduction to Music	3.0
23316	...ECE 95	..... DE1	....Work Experience	1.0	23258	...MUS 3	..... DE1	....World Music	3.0
23317	...ECE 96	..... DE1	....Work Experience Seminar	1.0	20279	...MUS 5	..... DE1	....American Cultures in Music	3.0
20381	...ECON 1	..... DE1	....Principles of Microeconomics	3.0	23655	...MUS 5	..... DE3	....American Cultures in Music	3.0
20783	...ECON 1	..... DE2	....Principles of Microeconomics	3.0	23360	...MUS 13	..... DE1	....History of Rock and Roll	3.0
20382	...ECON 2	..... DE1	....Principles of Macroeconomics	3.0	23362	...MUS 25	..... DE1	....Teaching Beginning Piano	2.0
20229	...ECON 2	..... DE2	....Principles of Macroeconomics	3.0	23363	...MUS 27	..... DE1	....Teaching Intermediate Piano	2.0
23259	...ENG 1A	..... DE0	....Critical Reading and Comp	3.0	22696	...MUS 34	..... DE1	....Music in Film	3.0

See the main body of this schedule for course descriptions, prerequisite information, and any other pertinent information. The courses listed above are subject to change. Check the Online Learning website at <http://www.laspositascollege.edu/onlinelearning> for up-to-date information.

# ONLINE LEARNING

## FALL 2020 ONLINE COURSES (cont'd)

CRN	COURSE	SEC	DESCRIPTION	UNITS
23364	...MUS 37	..... DE1	.... Music Industry Career Dev.....	3.0
23417	...NTRN 1	..... DE1	.... Intro to Nutrition Science.....	3.0
23418	...NTRN 1	..... DE2	.... Intro to Nutrition Science.....	3.0
23419	...NTRN 1	..... DE3	.... Intro to Nutrition Science.....	3.0
22076	...PCN 10	..... DE1	.... Career and Educ. Planning .....	2.0
22079	...PCN 13	..... DE1	.... Multicultural Issues: America.....	3.0
22515	...PCN 30	..... DE1	.... Student Success:College Exp .....	3.0
21722	...PHIL 1	..... DE1	.... God, Nature, Human Nature .....	3.0
20294	...PHIL 2	..... DE1	.... Ethics .....	3.0
20373	...POLI 7	..... DE1	.... Intro to American Government.....	4.0
21348	...POLI 7	..... DE2	.... Intro to American Government.....	4.0
20216	...PSYC 1	..... DE1	.... General Psychology .....	3.0
20503	...PSYC 1	..... DE2	.... General Psychology .....	3.0
21527	...PSYC 1	..... DE4	.... General Psychology .....	3.0
20517	...PSYC 3	..... DE1	.... Intro. to Social Psychology .....	3.0
22896	...PSYC 3	..... DE2	.... Intro. to Social Psychology .....	3.0
20784	...PSYC 4	..... DE1	.... Brain, Mind, and Behavior.....	3.0
22130	...PSYC 6	..... DE1	.... Abnormal Psychology .....	3.0
21330	...PSYC 12	..... DE1	.... Life-Span Psychology.....	3.0
20185	...RELS 1	..... DE1	.... Religions of the World .....	3.0
20346	...RELS 1	..... DE2	.... Religions of the World .....	3.0
20234	...SOC 1	..... DE1	.... Principles of Sociology .....	3.0
20392	...SOC 1	..... DE2	.... Principles of Sociology.....	3.0
20527	...SOC 3	..... DE1	.... Cultural and Racial Minorities .....	3.0
23318	...SOC 7	..... DE1	.... Sociology of Sexuality .....	3.0
20148	...THEA 10	..... DE2	.... Introduction to Dramatic Arts .....	3.0

### Fast Track 1 (Aug 17 - Oct 9)

20524	...BUSN 53	..... DE1	.... Business Correspondence.....	3.0
21676	...BUSN 58	..... DE1	.... Small Business Management .....	3.0
23342	...CIS 81A	..... DE1	.... Intro to Cloud Computing .....	3.0
20348	...CIS 88A	..... DE1	.... Introduction to Microsoft Word .....	1.5
23558	...GEOL 1	..... DE2	.... Physical Geology .....	3.0
23649	...HIST 7	..... DE4	.... US Hist.Through Reconstruction.....	3.0
22746	...PCN 18	..... DE1	.... University Transfer Planning.....	0.5
22013	...RELS 1	..... FT1	.... Religions of the World .....	3.0

### Fast Track 2 (Oct 12 - Dec 11)

22015	...BUSN 18	..... L01	.... Business Law .....	4.0
21528	...BUSN 40	..... L01	.... Introduction to Business.....	3.0
20384	...BUSN 56	..... L01	.... Introduction to Management.....	3.0
20627	...BUSN 88	..... L01	.... Human Resources Management.....	3.0
23343	...CIS 81B	..... L01	.... Database Essentials in Cloud.....	3.0
20349	...CIS 88B	..... L01	.... Adv Microsoft Word.....	1.5
20350	...CIS 89A	..... L01	.... Desktop Presentation .....	1.0
23243	...ENG 1A	..... L01	.... Critical Reading and Comp .....	3.0
22919	...GEOL 7	..... L01	.... Environmental Geology:Resource... 3.0	
21326	...GEOL 12	..... L01	.... Introduction to Oceanography .....	3.0
23650	...HIST 8	..... L01	.... US Hist. Post-Reconstruction .....	3.0
22016	...MKTG 61	..... L01	.... Professional Selling .....	3.0

CRN	COURSE	SEC	DESCRIPTION	UNITS
22081	...PCN 13	..... L01	.... Multicultural Issues: America.....	3.0
22514	...PCN 18	..... L01	.... University Transfer Planning.....	0.5
22583	...PCN 30	..... L01	.... Student Success:College Exp .....	3.0
21766	...PHIL 1	..... L01	.... God, Nature, Human Nature .....	3.0
21085	...PSYC 1	..... L01	.... General Psychology .....	3.0
22324	...RELS 1	..... FT2	.... Religions of the World .....	3.0

### Late Start (Sept 8 - Dec 18)

21341	...BUSN 40	..... L02	.... Introduction to Business.....	3.0
20971	...BUSN 48	..... L01	.... Human Relations in Org. ....	3.0
20238	...CIS 71A	..... L01	.... Keyboarding (The Alphabet) .....	1.0
20239	...CIS 71B	..... L01	.... Keyboard (Numbers and Symbols) .	1.0
20240	...CIS 71C	..... L01	.... Skills Improvement.....	1.0
22745	...PCN 5	..... L01	.... Intro. Social Wk & Human Serv.....	3.0
23335	...PCN 35	..... L01	.... Drugs, Health, and Society.....	3.0
22423	...WRKX 94	..... L01	.... Occupational Work Exp/Intern. ....	1.0
23066	...WRKX 94	..... L02	.... Occupational Work Exp/Intern. ....	1.0
23067	...WRKX 94	..... L03	.... Occupational Work Exp/Intern. ....	1.0
23068	...WRKX 94	..... L04	.... Occupational Work Exp/Intern. ....	1.0
23069	...WRKX 94	..... L05	.... Occupational Work Exp/Intern. ....	1.0
23070	...WRKX 94	..... L06	.... Occupational Work Exp/Intern. ....	1.0
23071	...WRKX 94	..... L07	.... Occupational Work Exp/Intern. ....	1.0
23072	...WRKX 94	..... L08	.... Occupational Work Exp/Intern. ....	1.0
23459	...WRKX 94	..... LOA	.... Occupational Work Exp/Intern. ....	1.0
23460	...WRKX 94	..... LOB	.... Occupational Work Exp/Intern. ....	1.0
23461	...WRKX 94	..... LOC	.... Occupational Work Exp/Intern. ....	1.0
23462	...WRKX 94	..... LOD	.... Occupational Work Exp/Intern. ....	1.0
23463	...WRKX 94	..... LOE	.... Occupational Work Exp/Intern. ....	1.0
23464	...WRKX 94	..... LOF	.... Occupational Work Exp/Intern. ....	1.0
23465	...WRKX 94	..... LOG	.... Occupational Work Exp/Intern. ....	1.0
23466	...WRKX 94	..... LOH	.... Occupational Work Exp/Intern. ....	1.0
22425	...WRKX 95	..... L01	.... General Work Experience .....	1.0
22426	...WRKX 95	..... L02	.... General Work Experience .....	1.0
20628	...WRKX 95	..... L03	.... General Work Experience .....	1.0
22424	...WRKX 95	..... L04	.... General Work Experience .....	1.0
23064	...WRKX 95	..... L05	.... General Work Experience .....	1.0
23065	...WRKX 95	..... L06	.... General Work Experience .....	1.0
23467	...WRKX 95	..... LOA	.... General Work Experience .....	1.0
23468	...WRKX 95	..... LOB	.... General Work Experience .....	1.0
23469	...WRKX 95	..... LOC	.... General Work Experience .....	1.0
23470	...WRKX 95	..... LOD	.... General Work Experience .....	1.0
23471	...WRKX 95	..... LOE	.... General Work Experience .....	1.0
23472	...WRKX 95	..... LOF	.... General Work Experience .....	1.0
23473	...WRKX 95	..... LOG	.... General Work Experience .....	1.0
23474	...WRKX 95	..... LOH	.... General Work Experience .....	1.0
23475	...WRKX 95	..... LOI	.... General Work Experience .....	1.0
23476	...WRKX 95	..... LOJ	.... General Work Experience .....	1.0
23477	...WRKX 95	..... LOK	.... General Work Experience .....	1.0
23478	...WRKX 95	..... LOL	.... General Work Experience .....	1.0

See the main body of this schedule for course descriptions, prerequisite information, and any other pertinent information. The courses listed above are subject to change. Check the Online Learning website at <http://www.laspositascollege.edu/onlinelearning> for up-to-date information.



# ONLINE LEARNING

## GETTING STARTED WITH HYBRID COURSES

### WHAT IS A HYBRID COURSE?

A hybrid course is a combination of an on-campus and an online course. If you prefer to learn in a traditional classroom setting but also want the flexibility offered by online courses, you might want to enroll in a hybrid course. You'll come to campus for some of the class meetings, and you'll go online for the others.

### WHAT WOULD I BE DOING IN THE ONLINE PORTION?

Some of the online activities that your instructor can require are group work, class discussions, research on the Internet, quizzes, and exams.

### HOW CAN I SUCCEED IN A HYBRID?

To succeed in a hybrid course, you will need to take responsibility for your own learning. This includes developing time management skills for online learning

and being comfortable with technology, particularly the Internet. Much of the information on the previous pages about online courses apply to hybrid courses.

### HOW DO I GET STARTED WITH A HYBRID COURSE?

1. Register via CLASS-Web.
2. Check this schedule to see when your class meets on campus. At the first meeting, your instructor will discuss the online portion of the class.
3. Once your instructor makes your course available, log into Canvas by following the instructions on the LPC Online Learning web site.

<http://www.laspositacollege.edu/onlinelearning>

## FALL 2020 HYBRID COURSES

D/E	CRN	COURSE	SEC	DESCRIPTION	DAYS	TIMES	UNITS
Day	21820	ASTR 10	HY1	Intro to Astr The Solar System	Mon	02:00-03:15	+ONLINE 3.0
Day	21711	BIO 50	HY1	Anatomy and Physiology	Wed	09:30-10:45	
					Fri	09:30-12:20	+ONLINE 4.0
Eve	20969	BUSN 18	HY1	Business Law	Mon	06:00-08:50	+ONLINE 4.0
Eve	23548	BUSN 45	HY1	Entrepreneurship	Mon	05:00-06:50	+ONLINE 3.0
Eve	20357	CIS 50	093	Intro to Computing Info Tech	MW	04:30-05:45	+ONLINE 3.0
Day	20017	CIS 50	V01	Intro to Computing Info Tech	MW	12:30-01:45	+ONLINE 3.0
Day	20016	CIS 50	V02	Intro to Computing Info Tech	TTh	12:30-01:45	+ONLINE 3.0
Day	20151	CIS 54	HY1	Excel: Intro to Spreadsheets	Wed	11:00-01:45	+ONLINE 4.0
Day	23338	CIS 55	HY1	Integrating Office Application	Tue	09:30-12:20	+ONLINE 4.0
Eve	22353	CIS 59	HY1	Web Dev: HTML/CSS/Javascript	Thu	06:30-08:45	+ONLINE 3.0
Eve	20109	CIS 66	HY1	Networking Fundamentals	Tue	06:00-08:50	+ONLINE 3.0
Eve	21837	CNT 51	HY1	CompTIA'S A+ Cert. Comp. Tech	Thu	06:00-08:50	+ONLINE 4.0
Eve	20266	CNT 52	HY1	Networking Fundamentals	Tue	06:00-08:50	+ONLINE 3.0
Eve	23345	CNT 68	HY1	Digital Forensics Fundamentals	Tue	06:30-09:20	+ONLINE 3.0
Eve	22355	CNT 7285	HY1	Cloud Infrastructure: CompTIA	Thu	06:30-08:45	+ONLINE 3.0
Eve	20537	CNT 7401	HY1	Intro to LINUX, UNIX, LINUX+	Mon	06:30-08:50	+ONLINE 3.0
Day	21583	CS 7	HY1	Intro to Computer Programming	Tue	03:30-06:10	+ONLINE 3.0
Eve	20826	CS 31	HY1	Java Programming	Tue	06:30-09:20	+ONLINE 4.0
Eve	21840	CS 41	HY1	Intro to Linux/LPI Linux+ Cert	Mon	06:30-08:50	+ONLINE 3.0
Day	22705	ECE 90	HY1	Practicum-Supervised Exp.	MW	09:00-12:15	
					Sat	BY ARR	+ONLINE 4.0

See the main body of this schedule for course descriptions, prerequisite information, and any other pertinent information. The courses listed above are subject to change. Check the Online Learning website at <http://www.laspositacollege.edu/onlinelearning> for up-to-date information.

# ONLINE LEARNING

## FALL 2020 HYBRID COURSES (cont'd)

D/E	CRN	COURSE	SEC	DESCRIPTION	DAYS	TIMES	UNITS
Day	20210	ENG 1A	HY1	Critical Reading and Comp	Mon	12:30-01:45	+ONLINE 3.0
Eve	20209	ENG 1A	HY2	Critical Reading and Comp	Thu	06:30-09:20	+ONLINE 3.0
Day	21494	ENG 1A	HY3	Critical Reading and Comp	Fri	08:00-10:50	+ONLINE 3.0
Day	22742	KIN 6	HD1	Personal Trainer	Thu	12:30-01:45	+ONLINE 3.5
Day	20833	KIN 17	HY1	Intro Athletic Trng/Sports Med	TTh	09:30-10:45	+ONLINE 4.0
Eve	22811	MATH 34	HY1	Calc for Bus and Soc Sciences	Wed	05:00-07:15	+ONLINE 5.0
Day	21339	MATH 40	HD1	Statistics and Probability	Mon	01:00-02:50	+ONLINE 4.0
Eve	21501	MATH 40	HD2	Statistics and Probability	Mon	05:30-07:20	+ONLINE 4.0
Day	22816	MATH 40	HD3	Statistics and Probability	Mon	03:00-04:50	+ONLINE 4.0
Day	21854	MSCM 5	HY1	Intro to Mass Communications	Fri	09:30-11:00	+ONLINE 3.0
Day	22138	PCN 30	HY1	Student Success:College Exp.	Mon	11:00-12:15	+ONLINE 3.0
Day	21497	SOC 1	HY1	Principles of Sociology	Wed	12:30-01:45	+ONLINE 3.0

### Fast Track 1 (Aug 17 - Oct 9)

Day	23550	BUSN 87	HD1	Organizational MGT Leadership	Mon	02:00-03:50	+ONLINE 3.0
Eve	23346	CNT 8001	HY1	Cisco CCNA1/3 Intro to Network	Wed	06:30-08:50	+ONLINE 3.0

### Fast Track 2 (Oct 12 - Dec 11)

Day	23547	BUSN 20	LD1	International Business	Mon	02:00-03:50	+ONLINE 3.0
Day	23623	BUSN 51	LO1	General Accounting	Tue	02:00-04:50	+ONLINE 3.0
Eve	23347	CNT 8002	LD1	Cisco CCNA2/3 Switching, Rout	Wed	06:30-08:50	+ONLINE 3.0

### NonCredit

Day	23158	NMAT 260A	M01	Math Jam Intro to Tutoring	Sat	09:30-12:00	+ONLINE 0.0
Day	23159	NMAT 260B	M01	Math Jam for Tutors	MTWTh	03:00-03:50	+ONLINE 0.0

## ALTERNATE SCHEDULE COURSES

### FAST TRACK - 1<sup>st</sup> session

**AUG 17 thru OCT 9**

D/E	CRN	COURSE	SEC	DESCRIPTION	DAYS	TIMES	UNITS
Day	20137	CIS 88A	FT1	Introduction to Microsoft Word	TTh	12:30-2:45	1.5
Day	22049	CMST 1	FT1	Fundamentals Public Speaking	MW	11:00-2:20	3.0
Eve	23612	WLDT 73	093	Welding Workplace Safety	Th	07:00-8:50	1.0
Day	23550	BUSN 87	HD1	Organizational MGT Leadership	Mon	02:00-3:50	+ONLINE 3.0
Eve	23346	CNT 8001	HY1	Cisco CCNA1/3 Intro to Network	Wed	06:30-8:50	+ONLINE 3.0
Web	20524	BUSN 53	DE1	Business Correspondence	ONLINE		3.0
Web	21676	BUSN 58	DE1	Small Business Management	ONLINE		3.0
Web	23342	CIS 81A	DE1	Intro to Cloud Computing	ONLINE		3.0
Web	20348	CIS 88A	DE1	Introduction to Microsoft Word	ONLINE		1.5
Web	23558	GEOL 1	DE2	Physical Geology	ONLINE		3.0
Web	23649	HIST 7	DE4	US Hist.Through Reconstruction	ONLINE		3.0
Web	22746	PCN 18	DE1	University Transfer Planning	ONLINE		0.5
Web	22013	RELS 1	FT1	Religions of the World	ONLINE		3.0

See the main body of this schedule for course descriptions, prerequisite information, and any other pertinent information. The courses listed above are subject to change. Check the Online Learning website at <http://www.laspositascollege.edu/onlinelearning> for up-to-date information.

# ALTERNATE SCHEDULE COURSES

## FAST TRACK - 2<sup>nd</sup> session

OCT 12 thru DEC 11

D/E	CRN	COURSE	SEC	DESCRIPTION	DAYS	TIMES	UNITS
Day	20589	CIS 84	FT2	Windows	Tue	12:30-2:35	
					Th	12:30-2:15	1.0
Day	20186	CIS 88B	FT2	Adv Microsoft Word	TTh	12:30-2:55	1.5
Day	20175	CIS 89A	FT2	Desktop Presentation	TTh	12:30-2:20	1.0
Eve	20174	CIS 89A	FT3	Desktop Presentation	MW	6:30-8:45	1.0
Day	22050	CMST 1	FT2	Fundamentals Public Speaking	MW	11:00-2:20	3.0
Day	23279	KIN WT1	FT2	Weight Training 1	By Arr		1.0
Day	23280	KIN WT2	FT2	Weight Training 2	By Arr		1.0
Day	23547	BUSN 20	LD1	International Business	Mon	02:00-03:50 +ONLINE	3.0
Day	23623	BUSN 51	L01	General Accounting	Tue	02:00-04:50 +ONLINE	3.0
Eve	23347	CNT 8002	LD1	Cisco CCNA2/3 Switching, Rout	Wed	06:30-08:50 +ONLINE	3.0
Web	22015	BUSN 18	L01	Business Law	ONLINE		4.0
Web	21528	BUSN 40	L01	Introduction to Business	ONLINE		3.0
Web	20384	BUSN 56	L01	Introduction to Management	ONLINE		3.0
Web	20627	BUSN 88	L01	Human Resources Management	ONLINE		3.0
Web	23343	CIS 81B	L01	Database Essentials in Cloud	ONLINE		3.0
Web	20349	CIS 88B	L01	Adv Microsoft Word	ONLINE		1.5
Web	20350	CIS 89A	L01	Desktop Presentation	ONLINE		1.0
Web	23243	ENG 1A	L01	Critical Reading and Comp	ONLINE		3.0
Web	22919	GEOL 7	L01	Environmental Geology:Resource	ONLINE		3.0
Web	21326	GEOL 12	L01	Introduction to Oceanography	ONLINE		3.0
Web	23650	HIST 8	L01	US Hist. Post-Reconstruction	ONLINE		3.0
Web	22016	MKTG 61	L01	Professional Selling	ONLINE		3.0
Web	22081	PCN 13	L01	Multicultural Issues: America	ONLINE		3.0
Web	22514	PCN 18	L01	University Transfer Planning	ONLINE		0.5
Web	22583	PCN 30	L01	Student Success:College Exp.	ONLINE		3.0
Web	21766	PHIL 1	L01	God, Nature, Human Nature	ONLINE		3.0
Web	21085	PSYC 1	L01	General Psychology	ONLINE		3.0
Web	22324	RELS 1	FT2	Religions of the World	ONLINE		3.0

## LATE START

SEPT 8 thru DEC 18

D/E	CRN	COURSE	SEC	DESCRIPTION	DAYS	TIMES	UNITS
Eve	21821	AUTO INTR	LE1	Auto Service & Introduction	MW	06:00-10:10	4.0
Eve	20389	CIS 8	LE1	Essential Computing Skills	MW	07:00-8:50	2.0
Day	20432	CIS 8	LS1	Essential Computing Skills	By Arr		2.0
Day	20867	CIS 71A	LS1	Keyboarding (The Alphabet)	TTh	01:30-3:00	1.0
Day	20870	CIS 71A	LS2	Keyboarding (The Alphabet)	By Arr		1.0
Day	23339	CIS 71A	LS3	Keyboarding (The Alphabet)	By Arr		1.0
Day	20868	CIS 71B	LS1	Keyboard (Numbers and Symbols)	TTh	01:30-3:00	1.0
Day	20871	CIS 71B	LS2	Keyboard (Numbers and Symbols)	By Arr		1.0
Day	23340	CIS 71B	LS3	Keyboard (Numbers and Symbols)	By Arr		1.0
Day	20869	CIS 71C	LS1	Skills Improvement	TTh	01:30-3:00	1.0
Day	20872	CIS 71C	LS2	Skills Improvement	By Arr		1.0
Day	23341	CIS 71C	LS3	Skills Improvement	By Arr		1.0
Day	20387	CIS 72A	LS1	Data Management	By Arr		1.0
Day	20110	CIS 72A	LS2	Data Management	By Arr		1.0

See the main body of this schedule for course descriptions, prerequisite information, and any other pertinent information. The courses listed above are subject to change. Check the Online Learning website at <http://www.laspositacollege.edu/onlinelearning> for up-to-date information.



# ALTERNATE SCHEDULE COURSES

## LATE START (cont'd)

**SEPT 8 thru DEC 18**

D/E	CRN	COURSE	SEC	DESCRIPTION	DAYS	TIMES	UNITS
Day	20388	CIS 72B	LS1	Basic Office Integration	By Arr		1.0
Day	20111	CIS 72B	LS2	Basic Office Integration	By Arr		1.0
Day	20588	CIS 73A	LS1	Ten-Key Skill Development	By Arr		1.0
Day	20112	CIS 73A	LS2	Ten-Key Skill Development	By Arr		1.0
Day	20362	CIS 75	LS1	Office Tech./Communications	By Arr		1.0
Day	20176	CIS 75	LS2	Office Tech./Communications	By Arr		1.0
Day	23253	ENGR 25	LS1	Computational Methods for ENGR	MW	08:30-10:50	3.0
Day	22540	MSCM 34A	LS1	College Magazine A	TTh	02:00-4:15 + Lab By Arr	3.0
Day	22732	MSCM 34B	LS1	College Magazine B	TTh	02:00-4:15 + Lab By Arr	3.0
Day	23647	PCN 10	LS1	Career and Educ. Planning	F	09:30-11:30	2.0
Eve	22077	PCN 13	LE1	Multicultural Issues: America	TTh	04:00-5:30	3.0
Day	22080	PCN 15	LS1	College Study Skills	TTh	02:00-3:10	2.0
Day	22132	PCN 18	LS1	University Transfer Planning	W	12:30-1:35	0.5
Eve	23561	THEA 47A	LE1	Perform in Prod: Intro Live	MTWTh	07:00-10:00	3.0
Eve	23562	THEA 47B	LE1	Performance in Prod: Beginning	MTWTh	07:00-10:00	3.0
Eve	23563	THEA 47C	LE1	Performance in Prod: Intermed.	MTWTh	07:00-10:00	3.0
Eve	23564	THEA 47D	LE1	Performance in Prod: Advanced	MTWTh	07:00-10:00	3.0
Web	21341	BUSN 40	L02	Introduction to Business	ONLINE		3.0
Web	20971	BUSN 48	L01	Human Relations in Org.	ONLINE		3.0
Web	20238	CIS 71A	L01	Keyboarding (The Alphabet)	ONLINE		1.0
Web	20239	CIS 71B	L01	Keyboard (Numbers and Symbols)	ONLINE		1.0
Web	20240	CIS 71C	L01	Skills Improvement	ONLINE		1.0
Web	22745	PCN 5	L01	Intro. Social Wk & Human Serv.	ONLINE		3.0
Web	23335	PCN 35	L01	Drugs, Health, and Society	ONLINE		3.0
Web	22423	WRKX 94	L01	Occupational Work Exp/Intern.	ONLINE		1.0
Web	23066	WRKX 94	L02	Occupational Work Exp/Intern.	ONLINE		1.0
Web	23067	WRKX 94	L03	Occupational Work Exp/Intern.	ONLINE		1.0
Web	23068	WRKX 94	L04	Occupational Work Exp/Intern.	ONLINE		1.0
Web	23069	WRKX 94	L05	Occupational Work Exp/Intern.	ONLINE		1.0
Web	23070	WRKX 94	L06	Occupational Work Exp/Intern.	ONLINE		1.0
Web	23071	WRKX 94	L07	Occupational Work Exp/Intern.	ONLINE		1.0
Web	23072	WRKX 94	L08	Occupational Work Exp/Intern.	ONLINE		1.0
Web	23459	WRKX 94	LOA	Occupational Work Exp/Intern.	ONLINE		1.0
Web	23460	WRKX 94	LOB	Occupational Work Exp/Intern.	ONLINE		1.0
Web	23461	WRKX 94	LOC	Occupational Work Exp/Intern.	ONLINE		1.0
Web	23462	WRKX 94	LOD	Occupational Work Exp/Intern.	ONLINE		1.0
Web	23463	WRKX 94	LOE	Occupational Work Exp/Intern.	ONLINE		1.0
Web	23464	WRKX 94	LOF	Occupational Work Exp/Intern.	ONLINE		1.0
Web	23465	WRKX 94	LOG	Occupational Work Exp/Intern.	ONLINE		1.0
Web	23466	WRKX 94	LOH	Occupational Work Exp/Intern.	ONLINE		1.0
Web	22425	WRKX 95	L01	General Work Experience	ONLINE		1.0
Web	22426	WRKX 95	L02	General Work Experience	ONLINE		1.0
Web	20628	WRKX 95	L03	General Work Experience	ONLINE		1.0
Web	22424	WRKX 95	L04	General Work Experience	ONLINE		1.0

See the main body of this schedule for course descriptions, prerequisite information, and any other pertinent information. The courses listed above are subject to change. Check the Online Learning website at <http://www.laspositascollege.edu/onlinelearning> for up-to-date information.

# ALTERNATE SCHEDULE COURSES

## LATE START (cont'd)

SEPT 8 thru DEC 18

D/E	CRN	COURSE	SEC	DESCRIPTION	DAYS	TIMES	UNITS
Web	23064	WRKX 95	LO5	General Work Experience	ONLINE		1.0
Web	23065	WRKX 95	LO6	General Work Experience	ONLINE		1.0
Web	23467	WRKX 95	LOA	General Work Experience	ONLINE		1.0
Web	23468	WRKX 95	LOB	General Work Experience	ONLINE		1.0
Web	23469	WRKX 95	LOC	General Work Experience	ONLINE		1.0
Web	23470	WRKX 95	LOD	General Work Experience	ONLINE		1.0
Web	23471	WRKX 95	LOE	General Work Experience	ONLINE		1.0
Web	23472	WRKX 95	LOF	General Work Experience	ONLINE		1.0
Web	23473	WRKX 95	LOG	General Work Experience	ONLINE		1.0
Web	23474	WRKX 95	LOH	General Work Experience	ONLINE		1.0
Web	23475	WRKX 95	LOI	General Work Experience	ONLINE		1.0
Web	23476	WRKX 95	LOJ	General Work Experience	ONLINE		1.0
Web	23477	WRKX 95	LOK	General Work Experience	ONLINE		1.0
Web	23478	WRKX 95	LOL	General Work Experience	ONLINE		1.0

## Classes with Varying Start Dates

D/E	COURSE	SEC	CRN	DESCRIPTION	DAYS	TIMES	DATES	UNITS
Day	AJ 9998	091	21823	POST Basic Supervisory	BY ARR		19-Oct / 30-Oct	4.5
Day	AJ 9998	092	21824	POST Basic Supervisory	BY ARR		30-Nov / 11-Dec	4.5
Eve	LIBR 6	LE1	23320	Research in Special Subjects	Tue	04:00-06:50	3-Nov / 17-Nov	0.5
Day	MATH 66	M01	23049	Math Jam for Calculus	MTWThF	09:00-03:00	8-Aug / 14-Aug	0.5
Day	MATH 66	M02	23668	Math Jam for Calculus	MTWThF	09:00-03:00	8-Aug / 14-Aug	0.5
Day	TUTR 17A	LS1	21728	Tutoring Theory & Practice I	Fri	12:00-03:00	21-Aug / 11-Sep	0.5
Day	TUTR 17B	LS1	21745	Tutoring Theory & Practice II	Fri	12:00-03:00	21-Aug / 18-Sep	0.5
Day	TUTR 17C	LS1	21849	Tutoring Theory & Practice III	Fri	12:00-03:00	21-Aug / 18-Sep	0.5
Day	NESL 240	N01	23615	Public Speaking Delivery Adv	Fri	01:00-03:00	11-Sep / 18-Sep	0.0
Day	NESL 241	N01	23616	Public Speaking Structure Adv	Fri	01:00-03:00	2-Oct / 9-Oct	0.0
Eve	NHRT 202	LE1	23656	Landscape and Garden Maint	TTh	04:00-06:00	18-Sep / 29-Oct	0.0
Day	NMAT 264	M01	23155	Math Jam for SLAM Prep	MTWTh	09:00-03:00	10-Aug / 14-Aug	0.0
Day	NMAT 264	M02	23164	Math Jam for SLAM Prep	MTWThF	09:00-03:00	10-Aug / 14-Aug	0.0
Day	NMAT 265	M01	23156	Math Jam for BSTEM Prep	MTWThF	09:00-03:00	10-Aug / 14-Aug	0.0
Day	NMAT 265	M02	23157	Math Jam for BSTEM Prep	MTWThF	09:00-03:00	10-Aug / 14-Aug	0.0
Day	NMAT 260A	M01	23158	Math Jam Intro to Tutoring	Sat	09:30-12:00		
					+ONLINE		8-Aug / 14-Aug	0.0
Day	NMAT 260B	M01	23159	Math Jam for Tutors	MTWTh	03:00-03:50pm	8-Aug / 14-Aug	0.0
					+ONLINE		8-Aug / 14-Aug	0.0

See the main body of this schedule for course descriptions, prerequisite information, and any other pertinent information. The courses listed above are subject to change. Check the Online Learning website at <http://www.laspositascollege.edu/onlinelearning> for up-to-date information.

# NON-CREDIT COURSES

Noncredit courses are intended for students who want to gain general knowledge, learn a new skill, upgrade existing skills, enrich their understanding or get support to be successful in college level credit courses. Noncredit classes are NOT applicable toward a degree. Upon completion of a series of noncredit classes, students can earn a noncredit Certificate of Completion or Certificate of Competency.

D/E	CRN	COURSE	SEC	DESCRIPTION	DAYS	TIMES	UNITS
Eve	.....23639	..... NAUT INTR.....	LE1	.....Auto Service and Introduction .....	MW	..... 06:00-10:10 .....	0.0
Day	.....23642	..... NAUT INTR.....	WE1	.....Auto Service and Introduction .....	Sat	..... 09:00-04:50 .....	0.0
Eve	.....23643	..... NAUT L1L2 ...	093	.....Smog Level One and Level Two .....	TTh	..... 06:00-09:15 .....	0.0
Day	.....23644	..... NAUT LABA....	V01	.....Automotive Lab.....	MW	..... 01:00-03:50 .....	0.0
Day	.....23645	..... NAUT LABB....	V01	.....Automotive Lab Advanced .....	MW	..... 01:00-03:50 .....	0.0
Day	.....23096	..... NENG 204.....	N01	.....Reading and Writing II.....	MW	..... 11:00-01:40 .....	0.0
Day	.....23097	..... NENG 204.....	N02	.....Reading and Writing II.....	TTh	..... 11:00-01:40 .....	0.0
Eve	.....23077	..... NESL 220A.....	N93	.....Intermediate Grammar Reading .....	Mon	..... 06:30-09:20 .....	0.0
Eve	.....23078	..... NESL 220B.....	N93	.....High-Intermediate Grammar .....	Mon	..... 06:30-09:20 .....	0.0
Eve	.....23367	..... NESL 221B.....	093	.....Intermediate Reading & Writing .....	Tue	..... 05:30-06:20	
					TTh	..... 06:30-09:20 .....	0.0
Eve	.....23368	..... NESL 230A.....	093	.....Beg. Grammar Reading & Writing .....	Th	..... 06:30-09:20 .....	0.0
Eve	.....23369	..... NESL 230B.....	093	.....High-Beginning Grammar .....	Th	..... 06:30-09:20 .....	0.0
Eve	.....23165	..... NESL 231A.....	093	.....Beginning Reading and Writing .....	Mon	..... 05:20-06:30	
					MW	..... 06:30-09:20 .....	0.0
Eve	.....23076	..... NESL 231B.....	N93	.....High- Beg. Reading and Writing .....	Wed	..... 05:20-06:30	
					MW	..... 06:30-09:20 .....	0.0
Day	.....23615	..... NESL 240.....	N01	.....Public Speaking Delivery Adv.....	Fri	..... 01:00-03:00 .....	0.0
Day	.....23616	..... NESL 241.....	N01	.....Public Speaking Structure Adv.....	Fri	..... 01:00-03:00 .....	0.0
Eve	.....23656	..... NHRT 202.....	LE1	.....Landscape and Garden Maint.....	TTh	..... 04:00-06:00 .....	0.0
Day	.....23075	..... NTUT 200 .....	N01	.....Supervised Tutoring .....	BY ARR	.....	0.0

## CONCURRENT SUPPORT MATH

Day	.....23131	..... NMAT 200C....	C01	.....Concurrent Support SLAM Math .....	TTh	..... 02:00-03:15 .....	0.0
Day	.....23132	..... NMAT 200C....	C02	.....Concurrent Support SLAM Math .....	MWF	..... 09:30-10:20 .....	0.0
Day	.....23133	..... NMAT 200C....	C03	.....Concurrent Support SLAM Math .....	MWF	..... 10:30-11:20 .....	0.0
Day	.....23134	..... NMAT 200C....	C04	.....Concurrent Support SLAM Math .....	MW	..... 02:00-03:15 .....	0.0
Day	.....23135	..... NMAT 200C....	C05	.....Concurrent Support SLAM Math .....	MW	..... 03:30-04:45 .....	0.0
Eve	.....23136	..... NMAT 200C....	C06	.....Concurrent Support SLAM Math .....	MW	..... 05:00-06:15 .....	0.0
Day	.....23137	..... NMAT 200C....	C07	.....Concurrent Support SLAM Math .....	TTh	..... 09:00-10:15 .....	0.0
Day	.....23138	..... NMAT 200C....	C08	.....Concurrent Support SLAM Math .....	TTh	..... 10:30-11:45 .....	0.0
Day	.....23139	..... NMAT 200C....	C09	.....Concurrent Support SLAM Math .....	TTh	..... 03:30-04:45 .....	0.0
Eve	.....23140	..... NMAT 200C....	C10	.....Concurrent Support SLAM Math .....	TTh	..... 06:00-07:15 .....	0.0
Day	.....23141	..... NMAT 201C....	C01	.....Concurrent Support BSTEM Math .....	TTh	..... 02:00-03:15 .....	0.0
Day	.....23142	..... NMAT 201C....	C02	.....Concurrent Support BSTEM Math .....	MWF	..... 09:30-10:20 .....	0.0
Day	.....23143	..... NMAT 201C....	C03	.....Concurrent Support BSTEM Math .....	MWF	..... 10:30-11:20 .....	0.0
Day	.....23144	..... NMAT 201C....	C04	.....Concurrent Support BSTEM Math .....	MW	..... 02:00-03:15 .....	0.0
Day	.....23145	..... NMAT 201C....	C05	.....Concurrent Support BSTEM Math .....	MW	..... 03:30-04:45 .....	0.0
Eve	.....23146	..... NMAT 201C....	C06	.....Concurrent Support BSTEM Math .....	MW	..... 05:00-06:15 .....	0.0
Day	.....23147	..... NMAT 201C....	C07	.....Concurrent Support BSTEM Math .....	TTh	..... 09:00-10:15 .....	0.0
Day	.....23148	..... NMAT 201C....	C08	.....Concurrent Support BSTEM Math .....	TTh	..... 10:30-11:45 .....	0.0
Day	.....23149	..... NMAT 201C....	C09	.....Concurrent Support BSTEM Math .....	TTh	..... 03:30-04:45 .....	0.0

See the main body of this schedule for course descriptions, prerequisite information, and any other pertinent information. The courses listed above are subject to change. Check the Online Learning website at <http://www.laspositascollege.edu/onlinelearning> for up-to-date information.



# NON-CREDIT COURSES

D/E	CRN	COURSE	SEC	DESCRIPTION	DAYS	TIMES	UNITS
Eve	23150	NMAT 201C	C10	Concurrent Support BSTEM Math	TTh	06:00-07:15	0.0
Day	23151	NMAT 202C	C01	Concurrent Support for Math	BY ARR		0.0
Day	23667	NMAT 255C	C12	Concurrent Support Int.Algebra	MWF	01:30-02:20	0.0

## MATH EMPORIUM

Day	23126	NMAT 210	X04	Elementary Algebra	TTh	03:30-05:20	0.0
Day	23128	NMAT 210	X06	Elementary Algebra	MW	03:30-05:20	0.0
Eve	23129	NMAT 210	X93	Elementary Algebra	MW	06:30-08:20	0.0
Eve	23130	NMAT 210	X94	Elementary Algebra	TTh	06:30-08:20	0.0
Day	23123	NMAT 210	X01	Elementary Algebra	TTh	09:30-11:20	0.0
Day	23127	NMAT 210	X05	Elementary Algebra	MW	09:30-11:20	0.0
Day	23124	NMAT 210	X02	Elementary Algebra	TTh	12:30-02:20	0.0
Day	23125	NMAT 210	X03	Elementary Algebra	MW	12:30-02:20	0.0
Day	23106	NMAT 255	X04	Intermediate Algebra for BSTEM	TTh	03:30-05:45	0.0
Day	23108	NMAT 255	X06	Intermediate Algebra for BSTEM	MW	03:30-05:45	0.0
Eve	23110	NMAT 255	X93	Intermediate Algebra for BSTEM	MW	06:30-08:45	0.0
Eve	23111	NMAT 255	X94	Intermediate Algebra for BSTEM	TTh	06:30-08:45	0.0
Eve	23109	NMAT 255	093	Intermediate Algebra for BSTEM	MW	07:30-09:45	0.0
Day	23102	NMAT 255	V01	Intermediate Algebra for BSTEM	TTh	08:00-10:15	0.0
Day	23103	NMAT 255	X01	Intermediate Algebra for BSTEM	TTh	09:30-11:45	0.0
Day	23107	NMAT 255	X05	Intermediate Algebra for BSTEM	MW	09:30-11:45	0.0
Day	23101	NMAT 255	C12	Intermediate Algebra for BSTEM	MWF	12:00-01:25	0.0
Day	23104	NMAT 255	X02	Intermediate Algebra for BSTEM	TTh	12:30-02:45	0.0
Day	23105	NMAT 255	X03	Intermediate Algebra for BSTEM	MW	12:30-02:45	0.0
Eve	23081	NMAT 250	093	Intermediate Algebra for SLAM	TTh	06:30-09:15	0.0
Day	23079	NMAT 250	V01	Intermediate Algebra for SLAM	MWF	10:00-11:50	0.0
Day	23117	NMAT 207	X04	Pre-Algebra	TTh	03:30-06:15	0.0
Day	23119	NMAT 207	X06	Pre-Algebra	MW	03:30-06:15	0.0
Eve	23120	NMAT 207	X93	Pre-Algebra	MW	06:30-09:15	0.0
Eve	23121	NMAT 207	X94	Pre-Algebra	TTh	06:30-09:15	0.0
Day	23113	NMAT 207	X01	Pre-Algebra	TTh	09:30-12:15	0.0
Day	23118	NMAT 207	X05	Pre-Algebra	MW	09:30-12:15	0.0
Day	23114	NMAT 207	X02	Pre-Algebra	TTh	12:30-03:15	0.0
Day	23116	NMAT 207	X03	Pre-Algebra	MW	12:30-03:15	0.0

## MATH JAM

Day	23156	NMAT 265	M01	Math Jam for BSTEM Prep	MTWThF	09:00-03:00	0.0
Day	23157	NMAT 265	M02	Math Jam for BSTEM Prep	MTWThF	09:00-03:00	0.0
Day	23155	NMAT 264	M01	Math Jam for SLAM Prep	MTWTh	09:00-03:00	0.0
Day	23164	NMAT 264	M02	Math Jam for SLAM Prep	MTWThF	09:00-03:00	0.0
Day	23159	NMAT 260B	M01	Math Jam for Tutors	MTWTh	03:00-03:50 +ONLINE	0.0
Day	23158	NMAT 260A	M01	Math Jam Intro to Tutoring	Sat	09:30-12:00 +ONLINE	0.0

See the main body of this schedule for course descriptions, prerequisite information, and any other pertinent information. The courses listed above are subject to change. Check the Online Learning website at <http://www.laspositascollege.edu/onlinelearning> for up-to-date information.

# FEES & PAYMENT POLICY

FEE	AMOUNT	DESCRIPTION <i>(NOTE: Fees are subject to change without notice)</i>
ENROLLMENT FEE	\$46 per unit	The enrollment fee for California residents, except those exempt by law, is \$46 per unit.
NONRESIDENT TUITION	\$290 per unit	Nonresidents of California are required to pay a tuition fee of \$290 per unit in addition to the enrollment fee (\$46 per unit) and other college fees. A California Nonresident Tuition Exemption may be granted to certain nonresident students who meet the exemption requirements. Contact the Admissions and Records Office for information.
INTERNATIONAL STUDENT TUITION	\$290 per unit	The tuition fee for international students, non-immigrant aliens or students on other types of visas is \$290 per unit, in addition to the enrollment fee (\$46 per unit) and other college fees. Failure to meet payment deadlines may jeopardize your F-1 status.
STUDENT HEALTH SERVICES FEE	\$21 per semester \$18 per Summer	Las Positas College has a mandatory student health services fee of \$21 for Fall and Spring semesters, and \$18 for Summer term. This fee is used to support health services for all enrolled students. Information on exemptions may be obtained by contacting the Admissions and Records Office.
STUDENT REPRESENTATION FEE	\$2 per term	Students are charged a mandatory fee of \$2 per term to support student advocacy activities.
STUDENT ACTIVITIES FEE	\$10 per semester	An optional fee of \$10 will be charged each semester. These fees are used to support Student Life through events and programs sponsored by our Las Positas College Student Government, Inter-Club Council, and recognized student clubs.
PARKING FEE	\$3 daily \$20 Summer \$45 Fall & Spring	Parking at Las Positas College is by permit only. Mandatory daily permits can be purchased for \$3 from dispensers located in the parking lots. Permits for automobiles can be purchased online via CLASS-Web or The ZONE for \$45 for Spring and Fall semesters, \$20 for Summer. (Motorcycles - \$20). A reduced term parking fee of \$30 is available for California College Promise Grant (formerly BOG Fee Waiver) students.
TRANSPORTATION FEE	\$9/\$8 per semester	All students are charged a mandatory transportation fee of \$9 (enrolled in six or more units), or \$8 (enrolled in less than six units) per semester. As a result, students are able to ride Wheels buses throughout the semester without having to pay the ridership fare. Contact the Student Life Office for more information.

## FALL 2020

Payment plan available May 1, 2020

### Target Dates to Enroll By:

Last day to enroll online	Required down payment	Number of payments	Months of payments
Payments on the 5 <sup>th</sup> of the month			
June 3	none	5	Jun - Oct
June 25	10%	4	July - Oct
July 25	25%	3	Aug - Oct
Aug 26	40%	2	Sept - Oct
Sept 9	40%	2	Oct & Nov
Payments on the 20 <sup>th</sup> of the month			
Aug 26	40%	2	Sept & Oct
Sept 9	40%	2	Oct & Nov
Visit our website at <a href="http://www.laspositascollege.edu/admissions/nelnet.php">http://www.laspositascollege.edu/admissions/nelnet.php</a>			

## www.MyCollegePaymentPlan.com/laspositas

For additional information, call 800.609.8056.

Customer service representatives are available 24/7.



### Payment Methods

- Automatic bank payment (ACH)
- Credit card/debit card

### Cost to Participate

- \$20 enrollment fee per semester
- \$30 returned payment fee if a payment is returned

### Simple Steps to Enroll

- Go to [www.laspositascollege.edu](http://www.laspositascollege.edu)
- Click on CLASS-Web
- Choose Sign On to CLASS-Web and log in
- Click on the e-Cashier link located on the Pay Fees Online/Registration Fee Assessment Page

# FEES & PAYMENT POLICY

## COURSE MATERIALS FEES

The following chart represents an inventory of Las Positas College courses that have materials, facilities, or certification fees assessed in addition to enrollment fees.

DISCIPLINE	COURSE	TYPE	FEE AMT
Emergency Medical Services	EMS 30	Certification	\$7
Emergency Medical Services	EMS 70A, 70B	Certification	\$4
Fire Service Technology	FST 86A	Materials	\$80
Kinesiology	KIN 15	Materials	\$27
Kinesiology	KIN 17, LG	Materials	\$35
Kinesiology	KIN 18	Materials	\$30
Photography	PHTO 50, 51, 56, 57, 58, 60, 64A, 68, 69	Materials	\$20
Viticulture & Winery Tech	VWT 25, 44	Materials	\$100
Viticulture & Winery Tech	VWT 1, 2, 45, 47, 55	Materials	\$150
Welding Technology	WLDT 61AL, 61BL	Materials	\$70
Welding Technology	WLDT 62AL, 62BL	Materials	\$75
Welding Technology	WLDT 63	Materials	\$30
Welding Technology	WLDT 66	Materials	\$25
Welding Technology	WLDT 67A, 67B	Materials	\$40
Welding Technology	WLDT 69A, 69B	Materials	\$100
Welding Technology	WLDT 70, 71	Materials	\$60

*NOTE: Materials fees are subject to change without notice. Please check the website for updated information.*

## PRINT FEE CARDS

Use of a college computer lab requires the purchase of a Print Fee Card obtained from the Las Positas College Bookstore or vending machines in the Library or Computer Center, Room 803. Discounted Print Fee Cards may be purchased in the Bookstore.

## STUDENT FEE PAYMENT POLICY

Fees must be paid in full by the scheduled payment due date or you will be dropped from your classes. Enrollment is conditional. The College reserves the right to cancel your registration. Fees can be paid by the following payment methods:

- Online** use your credit card by logging into The Zone or CLASS-Web.
- Mail** send a check or money order for full payment. DO NOT SEND CASH!
- In-person** pay by cash, check or credit card at the Admissions and Records Office.
- NELNET** sign up for our online payment plan - see page 118 for details.

## AFTER REGISTERING FOR CLASSES

The College does not issue billing statements after registration. It is up to the student to view their balance on CLASS-Web and pay any fees due. Note: Your enrollment is conditional until fees have been paid in full.

## IMMEDIATE TEMPORARY NONRESIDENT TUITION EXEMPTION

*Per AB 2210, Education Code section 68075.65*

Education Code section 68075.6 grants an immediate nonresident tuition fee exemption to eligible Special Immigrant Visa (SIV) holders

and refugee students who settled in California upon entering the United States. This exemption is granted for one year from the date the student settled in California upon entering the United States.

This exemption applies to the following:

- Iraqi citizens or nationals (and their spouses and children) who were employed by or on behalf of the United States Government in Iraq (Pub.L. No. 110-181, § 1244)
- Afghan and Iraqi translators (and their spouses and children) who worked directly with the United States Armed Forces (Pub.L. No. 109-163, § 1059)
- Afghanistan nationals who were employed by or on behalf of the U.S. government or in the International Security Assistance Force (ISAF) in Afghanistan (Pub.L. No. 111-8, § 602)
- Refugee students admitted to the United States under Section 1157 of Title 8 of the United States Code

## ENROLLMENT FEE REFUND POLICY

Students may request a refund of enrollment fees as long as the student withdraws from the class during the first two weeks of class for a regular term class, or by the 10% point of the length of a short-term class. Refunds are not automatic. Requests for refunds must be filed by June 30 for the academic year. Credit balances do not carry over from one academic year to the next.

A student who must withdraw for military purpose shall be refunded 100% of the fees paid, regardless of the date of withdrawal. In this case, requests for refunds made after the end of the academic year will be honored.

To apply for an enrollment fee refund, file a Request for Refund form at the Admissions and Records Office. No refunds will be given to students who withdraw from classes after the no-grade-of-record (NGR) deadline.

A \$10.00 processing fee will be subtracted from each enrollment fee refund with the exception of classes cancelled by the College.

The Student Representation Fee, Student Health Services Fee, Transportation Fee, and Student Activities Fee are not refundable.

Refund checks will be sent by mail approximately 6 weeks after the NGR deadline.

In addition to the above, Nonresident and International tuition refunds will be given as follows:

- Prior to the first day of instruction - 90%
- During the first week of instruction - 75%
- After the first week of instruction - No refund

## RETURNED CHECK POLICY

According to California Civil Code Section 1719, the Chabot-Las Positas Community College District will assess a service charge of \$25 for the first check passed on insufficient funds and a \$35 charge for each subsequent check passed on insufficient funds.

## COLLECTION POLICY

Chabot-Las Positas Community College District may refer a student's outstanding debt to a collection agency and/or the State of California Franchise Tax Board (FTB) for collection. Once referred, additional fees may apply and credit rating may be affected. If debt is referred to the FTB, amounts owed may be deducted from a student's state tax refund, California lottery prize, or unclaimed property.



# FINANCIAL AID

## FINANCIAL AID INFORMATION

The Financial Aid Office awards fee waivers, grants, scholarships, student loans, and work-study to eligible students. All students are encouraged to apply for financial aid and scholarships. More than 40% of our students receive some kind of financial assistance.

### Free Application for Federal Student Aid (FAFSA)

[www.fafsa.gov](http://www.fafsa.gov)

The FAFSA allows students to apply for federal and state financial aid including fee waivers, grants, student loans, and work-study. All students are strongly encouraged to complete and submit the FAFSA online. Those who qualify automatically are granted a California Promise Grant Fee Waiver. Please use the Las Positas College Federal School Code 030357.

### California Dream Act Application (CADAA)

<https://dream.csac.ca.gov/>

The CADAA allows undocumented students who meet AB540 eligibility criteria to apply for state-based financial aid including fee waivers and Cal grants. Students must submit additional documentation to the Admissions & Records Office to establish AB540 eligibility.

### California College Promise Grant (formerly BOG Fee Waiver) Application

<https://bog.openccapply.net/gateway/bog?cccMisCode=481>

The California College Promise Grant application allows students to apply for an enrollment fee waiver which waives the \$46 per unit enrollment fee. Students must meet income criteria established as well as academic and progress standards each term. It's best to file the FAFSA or CADAA so that you are considered for all possible sources of financial aid, as this application will only provide a fee waiver.

## SCHOLARSHIPS

<http://www.laspositascollege.edu/financialaid/scholarships.php>

Las Positas College is proud to offer scholarships to eligible students. Scholarship criteria varies greatly and may include scholastic achievement, athletic ability, academic major, career goal, artistic ability, financial unmet need, and intent to transfer to a four-year college. Las Positas College's official scholarship program is offered in Spring each year. Outside scholarship opportunities and searches are provided year-round as resources on the Financial Aid Office website.

## FINANCIAL AID GENERAL INFORMATION

### File Completion and Award Notification

Students who submit a FAFSA or CADAA Application are notified by email to submit all required missing documentation or forms to the Financial Aid Office to complete their financial aid file. Award notices are sent to students via the college's Zonemail email address once all documentation has been received and reviewed by the Financial Aid Office. Award details are also available via ZONE and CLASS-Web.

### Award Determination

Financial aid awards are based on an assumption of full-time enrollment, and are determined by student's unmet financial need and other specific criteria. Students enrolled less than

full-time will actually receive less funding than what has been awarded, as student's actual payment (refund) amount is based on actual units of enrollment. Students are considered full-time if enrolled in 12 or more units,  $\frac{3}{4}$  time if enrolled between 9 and 11.5 units,  $\frac{1}{2}$  time if enrolled between 6 and 8.5 units, and less than half time if enrolled in less than 6 units.

### Financial Aid Disbursements

Las Positas College has contracted with BankMobile for the disbursement of financial aid to students. BankMobile offers two methods for students to receive their financial aid. Students may choose to have their financial aid transferred electronically to an existing bank account or students may elect to open a BankMobile Vibe debit card account. Students who have applied for financial aid in a previous year and have not received or have lost their debit card should contact the Financial Aid Office for assistance to establish a refund delivery method.

### Late Start Classes

Financial aid disbursement for late start classes will occur the week when the late start class begins.

### Satisfactory Academic Progress (SAP)

Students must maintain satisfactory academic progress (SAP) each term in order to continue to be eligible for financial aid.

For federal and state student aid, which includes grants, loans and work-study, students must maintain a 2.0 term and cumulative grade point average (GPA), must complete at least 67% of the units attempted each term and overall, and must not exceed 150% maximum timeframe of their declared educational program.

For California College Promise Grant Fee Waiver program, students must maintain a 2.0 cumulative GPA and must maintain completion of at least 50% of the cumulative units attempted. Students are subject to lose their fee waiver eligibility if they do not meet both of these academic and/or progress standards after two consecutive terms.

### Fraud and Abuse

The Financial Aid Office is responsible for awarding and ensuring that financial aid funds are disbursed to eligible students. In the event there are concerns about the accuracy or truthfulness about information or documents provided, the Financial Aid Office will not award or disburse financial aid. If it is determined that a student has attempted or received financial aid by providing false or misleading information, failure to formally withdraw when no longer attending classes, or otherwise manipulating eligibility criteria in an attempt to receive financial aid, all funds received must be repaid, and the student will be referred to the U.S. Department of Education, Office of Inspector General, for possible investigation and prosecution for fraud.

### Contact Information

For additional information, please contact the Financial Aid Office by calling (925) 424-1580, by e-mailing [lpccfinaid@laspositascollege.edu](mailto:lpccfinaid@laspositascollege.edu), or by visiting the Student Services and Administration Building, Room 1650 (second floor). Information is available online by visiting [www.laspositascollege.edu/financialaid](http://www.laspositascollege.edu/financialaid).

# ACADEMIC & STUDENT SUPPORT SERVICES

## ADMISSIONS & RECORDS

<http://www.laspositascollege.edu/admissions/>

The Admissions & Records Office is here to serve as a resource regarding admissions, registration, enrollment verification, transcript requests, grades, and evaluation of transcripts for the purpose of awarding degrees and certificates. Our mission is to provide an inclusive learning-centered institution providing educational opportunities and support for completion of students' transfer, degree, basic skills, career-technical, and retraining goals.

## ASSESSMENT CENTER

<http://www.laspositascollege.edu/assessmentcenter/>

The Assessment Center provides English, English as a Second Language (ESL), Mathematics, Chemistry, French, and Spanish placement for Las Positas College students. No appointments needed for testing. Contact the Assessment Center for more information.

## ATHLETICS

<http://athletics.laspositascollege.edu/navbar-information/>

Las Positas College Athletics meets student athletes where they are and empowers them to achieve their academic and athletic goals, by providing equitable athletic opportunities, leadership skills, team work, hard work, accountability and symmetry. The mission of the Athletic Department is to provide exceptional opportunities for students interested in competing in intercollegiate athletics, and to promote success both on and off the court or field through intercollegiate participation. The Athletic Department assists student-athletes in developing the knowledge, skills and abilities to help them pursue their educational, career, athletic and personal goals.

## BOOKSTORE

<http://www.bkstr.com/laspositasstore/home/>

The Las Positas College Bookstore is the college's official store equipped to sell textbooks and workbooks in addition to school supplies, apparel, uniforms, tools, refreshments, and snacks.

## CALIFORNIA WORK OPPORTUNITY AND RESPONSIBILITY TO KIDS (CALWORKS)

<http://www.laspositascollege.edu/calworks/>

The CalWORKs program is dedicated to providing students who are currently receiving Temporary Assistance for Needy Families (TANF) cash aid with coordinated student services such as counseling, work study, child care, and advocacy. Our goal is to guide students through a successful educational journey that will help them achieve long-term self-sufficiency.

## CAREER CENTER

<http://www.laspositascollege.edu/careercenter/>

The Career Center at Las Positas College is designed to help students select a major or educational goal that aligns with their professional interests. Career Center personnel help students draft and edit cover letters and resumes, and provide referrals to internships and paid jobs, and host job fairs on-campus.

## CASHIER'S OFFICE

<http://www.laspositascollege.edu/cashier/>

The Cashier's Office is responsible for collecting and processing tuition and student fees along with other miscellaneous fee payments. The Cashier's Office manages third party invoicing, the collection of outstanding balances due to the College, and processes refunds due to over payments, class withdrawals, unit reductions, and residency status changes.

## CHILD DEVELOPMENT CENTER

<http://www.laspositascollege.edu/childdevelopmentcenter/>

The Child Development Center at Las Positas College offers an enriched social and educational experience for children. We are a model of "best practices" in the field of early education and children benefit by participating in innovative projects and personal interactions. Having a play-based philosophy, academics are integrated into the daily activities based on the children's interests. Each day children will experience small and large group times, free choice, and outdoor times. They will have enriched activities throughout the day. Licensed by the State of California, we are committed to providing an inclusive and diverse environment where all children, families, and staff feel welcome. We have several enrollment options available including state funded preschool and LPC student scholarships through our 2GenFund program. In partnership with the ECE Department, we serve as a lab program for students interested in pursuing a career in Early Care and Education. For more information on this program, please stop by Building 2300 or call 925-424-1560.

## COMPUTER CENTER

<http://www.laspositascollege.edu/computercenter/>

The Computer Center in Room 803 is a quiet open lab for school assignments. Computers are available on a "first come, first served" basis. You may be asked to give up your computer for classes that are held in 803 that need your seat. Instructional assistance is available from Computer Center staff during operating hours. Please notify staff if you have problems using the technology in the 803 lab.

## CONCURRENT ENROLLMENT

<http://www.laspositascollege.edu/admissions/concurrent.php>

Las Positas College provides the opportunity for high school students in 10th, 11th, and 12th grades to enroll in college-level courses. Students who desire to participate in concurrent enrollment must be recommended by their high school principal and have written parental permission. Further information on the Concurrent Enrollment policy is available at the student's high school, and at the Admissions and Records Office. We are happy to be able to offer high school students the opportunity to enroll concurrently for the spring, summer, and fall terms.

## COOPERATIVE AGENCIES RESOURCES FOR EDUCATION (CARE)

<http://www.laspositascollege.edu/EOPS/care.php>

The Cooperative Agencies Resources for Education (CARE) program provides a variety of services and activities to assist single parent students in achieving educational goals. They may receive additional services such as special counseling, support groups, child care, stipends, book certificates, transportation expense reimbursements, automotive repair and maintenance service, job search assistance, tutoring, and peer advising. To be eligible for CARE, students must be a current Extended Opportunity Programs and Services (EOPS) student, be attending college full-time, be receiving or have a child who is receiving Temporary Assistance for Needy Families (TANF), and have a child who is under eighteen years of age.

## COUNSELING

<http://laspositascollege.edu/counseling/>

The Las Positas College Counseling Department provides academic, career, and personal counseling to prospective and continuing students. Academic counselors help draft student educational plans, advise students on how to choose educational goals, majors, and careers, and help students complete documentation related to graduation and transfer to

# ACADEMIC & STUDENT SUPPORT SERVICES

four-year universities. Academic counselors see students on a drop-in basis and by appointment.

## DISABLED STUDENT PROGRAMS & SERVICES (DSPS)

<http://www.laspositascollege.edu/DSPS/>

The Disabled Student Programs and Services (DSPS) serves students with disabilities and provides support services, educational accommodations and specialized counseling. DSPS strives to ensure students with disabilities have equal access to educational services, classes and an opportunity to have a successful and enriching experience while pursuing their educational goals at Las Positas College.

## ENGINEERING TECHNOLOGY

<http://www.laspositascollege.edu/engineering/eng-tech.php>

Engineering Technology is designed for those who want a hands-on engineering career with a focus on mechanical technology in an applied setting. The program provides students with foundational knowledge in mathematics, critical thinking, problem solving, and engineering design, as well as skills in manufacturing, fabrication, and welding so that students are able to adapt to the ever-changing modern industrial workplace.

## EXTENDED OPPORTUNITY PROGRAMS & SERVICES (EOPS)

<http://www.laspositascollege.edu/EOPS/>

Extended Opportunity Programs and Services (EOPS) provides support services for low-income and educationally disadvantaged students to help them succeed in college level coursework. A variety of programs, services, and activities have been directed to the identification, recruitment, retention, and transition of EOPS students to the four-year college/university and/or career placement. Services can include: financial grants and book certificates; academic, career, and personal counseling; new student orientation and readiness programs; special assistance in tutoring and peer advising; transfer counseling; fieldtrips and cultural enrichment activities; and referral services. Program eligibility is based on educational disadvantage and demonstrated financial need. All students must be full-time students and complete a required application.

## FINANCIAL AID & SCHOLARSHIPS

<http://www.laspositascollege.edu/financialaid/>

The purpose of Financial Aid & Scholarship Office is to ensure that each student has sufficient resources to enable them to attend college. We provide grants, fee waivers, scholarships, loans, and federal work-study. Financial aid funds are provided to help with all costs of attending college, including enrollment fees, book and supplies, room and board, other personal and living expenses, transportation, child care, and computers. Students do not have to be a full-time student to be eligible for most forms of financial aid, but full-time students do receive the maximum amount of financial aid available.

## INTEGRATED LEARNING CENTER (ILC)

<http://www.laspositascollege.edu/ilc/>

The ILC is the student-centered place where help is available for students in English as a Second Language (ESL) and mathematics classes. The ILC is open five days and four nights a week and is staffed by ESL and Mathematics faculty members.

## INTERNATIONAL STUDENTS

<http://www.laspositascollege.edu/international/>

The mission of the International Students Program (ISP) is to facilitate the successful transition of international students

to Las Positas College and the American educational system. The program staff takes pride in offering strong student support services at every level, beginning with preadmission advisement and continuing through to graduation or transfer. The staff strives to counsel students on academic, career, and personal issues to facilitate their progress toward successful completion of educational goals. Additionally, the ISP staff advises students on United States Citizenship and Immigration Services (USCIS) rules and regulations related to maintaining international student status.

## LAS POSITAS COLLEGE STUDENT GOVERNMENT (LPCSG)

<http://www.laspositascollege.edu/student-gov/>

LPCSG is a non-partisan organization focused on promoting student involvement on-campus and advocating for student interests. LPCSG is committed to removing barriers to access, promoting student success, and providing an atmosphere for better learning and personal growth at Las Positas College.

## LIBRARY

<http://www.laspositascollege.edu/library/>

Las Positas College Library's mission is to support the college's educational programs, curriculum, and instructional philosophy. The Library has developed a program that provides reference and public services, research skills classes, and access to a collection of print and electronic resources. The Library collaborates with faculty and appropriate college groups to ensure that the Library supports the learning needs and styles of a diverse student population.

## MATH LEARNING CENTER

<http://www.laspositascollege.edu/ilc/>

The Math Learning Center provides recommended support to students in math through credit or tuition-free (noncredit) support courses that are aligned with the math course and designed with innovative strategies to provide math and learning support while taking a math class. Free drop-in math help is also offered to students enrolled in Las Positas College mathematics classes through enrollment in the noncredit NMAT 202C course. The Math Learning Center is staffed with LPC Mathematics faculty.

## ORIENTATION

<https://bw11.clpccd.cc.ca.us/>

New and returning students to Las Positas College are encouraged to view the online orientation or participate in an in-person orientation. The orientation is designed to help students navigate the steps to enroll, learn of support services, highlight important dates and timelines, and includes general information about the college.

## PUEENTE PROJECT

<http://www.laspositascollege.edu/puente/>

The Puente Project is national-award winning program that has helped tens of thousands of educationally disadvantaged students enroll in four-year colleges and universities, earn degrees, and return to the community as leaders and mentors to future generations. Puente combines accelerated instruction, intensive academic counseling, and mentoring by members of the community.

## READING & WRITING CENTER (RAW)

<http://www.laspositascollege.edu/RAW/>

The RAW Center offers free drop-in tutoring for reading and writing assignments for any class in which reading and writing is required. English and ESL instructor-tutors will also assist



# ACADEMIC & STUDENT SUPPORT SERVICES

with transfer application and scholarship statements, and we offer online reading and writing support. For more information, including hours of operation and online lessons, please visit the RAW Center website.

## STUDENT HEALTH & WELLNESS CENTER

<http://www.laspositascollege.edu/healthcenter/>

Our team of medical, behavior health, and public health professionals are here to provide high quality integrated healthcare services that promote physical and psychological well-being, treats minor health issues, helps students navigate the healthcare and insurance systems, and strives to empower students to have a healthy and successful academic experience.

## STUDENT LIFE

<http://laspositascollege.edu/students/>

The Student Life Office is committed to providing programs and services that foster student participation and engagement in college governance, student activities, and cultural events through our Las Positas College Student Government (LPCSG) and our clubs/organizations. The College recognizes the important role of students as active and meaningful participants in the shared governance decision-making processes of the institution. The Student Life Office provides students with opportunities to strengthen their knowledge, expand their understanding of governance issues, increase their preparedness, and apply their leadership development skills through co-curricular engagement.

## TRANSFER CENTER

<http://www.laspositascollege.edu/transfercenter/>

Las Positas College offers guaranteed transfer admission to over 95 colleges and universities. Six University of California (UC) campuses, nine California State University (CSU) campuses, more than 40 private/independent colleges, and more than 40 out-of-state universities offer guaranteed admission to students who meet specific requirements. By participating in a Transfer Admission Guarantee (TAG), Associate Degree in Transfer (ADT) program, or Transfer Admissions Agreement (TAA), you may be eligible for an early review of your academic records, early admission notification, and specific guidance about major preparation and general education coursework. Meet with a Las Positas College counselor to develop a student educational plan (SEP) to meet your transfer goals.

## TUTORING CENTER

<http://www.laspositascollege.edu/tutorialcenter/>

The Tutoring Center is dedicated to students' educational success by providing free high-quality learning support relevant to the individual needs of the diverse student population. We strive to create a welcoming, empathetic, and supportive environment so all students can become independent, active, and life-long learners.

## UMOJA

<http://www.laspositascollege.edu/umoja/>

All students are invited to enroll in the Umoja Learning Community. Umoja is intentional and deliberate on improving the success rates of students who identify as Black, African American, African, Afro-Caribbean, or Afro-LatinX. To do this, Umoja students gain a dedicated academic counselor and accessible faculty who are determined to see Black students, all students, succeed in the midst of barriers and life challenges. Umoja students take linked classes for two semesters, so as to form bonds, cultivate leadership, build cultural affirmation, and work toward success. The courses that Umoja students take are College Success, Transfer Planning, English Composition,

Library Skills, and Literature. All courses center African and African American experiences, voices, writers, speakers, and topics. Lastly, to foster learning and goal achievement, students are invited to attend college tours and culturally-enriching conferences and events.

## VETERANS FIRST

<http://www.laspositascollege.edu/veterans/>

Veterans First Program provides support services to those who have served in the armed forces, those currently serving in the armed forces, reservists/guard, and dependents and spouses of Veterans. We are primarily responsible for the administration of Veterans educational benefits. In addition, we provide resources and referrals, such as career planning, financial aid, transition counseling services, and other needed services for our returning Veterans. We encourage all to contact our office in-person, by telephone, or by e-mail ([lpveteransfirst@laspositascollege.edu](mailto:lpveteransfirst@laspositascollege.edu)) with any questions pertaining to one's education, or any Veterans Affairs educational benefits. We can and will assist with the application and processing of your Veterans Affairs benefits at Las Positas College. Check out our new Las Positas College Veterans First App. Download it free today! Keyword: myvrc

## WORK-BASED LEARNING PROGRAM

<http://www.laspositascollege.edu/careercenter/work-based.php>

Las Positas College provides clear academic pathways to improve the workforce and economy of our community. To support this mission, the college offers a Work-Based Learning Program -- a collaboration with local business and industry to develop career and work experience opportunities, internships and mentoring programs, and community work and study placements directly related to a vocational field of training. This partnership benefits both employers and students, ensuring a talent pipeline of skilled workers from our college to the workplace and reinforcing and expanding students' classroom learning.

As part of the Work-Based Learning Program, Las Positas College offers courses and an internship and job board. Students can choose from two courses that link the classroom with the workplace and focus on 21st century work skills: General Work Experience, for students with any type of employment or volunteer work, and Occupational Work Experience/Internship, for students who work in positions related to their major field of study.

The Las Positas College Internship and Job Board connects our students and alumni with area employers. Employers can post positions and search résumés. Students and alumni can search positions, post their résumés, and sign up for notifications about our college job and internship fairs, newly posted positions, and career tips. Find the link at our website <http://laspositascollege.edu/internship-job-board>.

# COLLEGE POLICIES & PROCEDURES

---

## ACADEMIC FREEDOM

Academic freedom exists and is nurtured in our community for the common good of all citizens. Students, faculty, administrators and society itself derive benefits from the practice of academic freedom with its open search for truth and its free exposition. Academic freedom is fundamental for the protection of the instructor's right in teaching and the student's right in learning in the classroom and on the campus. Academic freedom carries with it responsibilities correlative with rights, such responsibilities being implicit in all freedoms and assured by all members of the college to insure the rights of others.

## ACADEMIC HONESTY

Las Positas College is dedicated to maintain an optimal learning environment and insists upon academic honesty and adherence to standards of student conduct. To uphold the academic integrity, all members of the academic community shall assume responsibility for providing an educational environment of the highest standard characterized by academic honesty. It is the responsibility of all members of the academic community to encourage learning, promote honesty, and act with fairness. Student conduct at Las Positas College must conform to federal and state laws and college district policies and procedures.

## CLASS SCHEDULE AND CATALOG

The class schedule and college catalog are publications of Las Positas College. They provide information regarding course and program offerings including dates, times, prerequisites, and course descriptions. You may obtain the publications at the College Bookstore, download them from the College website, or by accessing CLASS-Web or The ZONE online.

The class schedule is available in alternate format. Contact the Disability Resource Center at (925) 424-1510 for assistance.

## COMMUNICABLE DISEASE

The Student Health & Wellness Center is the entity at Las Positas College that is responsible for working with Alameda County Public Health Department in communicable disease control.

## CONSUMER INFORMATION

The federal Higher Education Act, the federal Equity in Athletics Disclosure Act, and regulatory guidance provided in the Code of Federal Regulations require notification of prescribed information to certain target audiences including prospective students, currently enrolled students, current employees, parents, coaches and counselors of prospective student athletes, and the general public. Disclosures are to include crime/security statistics, student completion/graduation rates, privacy/security rights, financial aid program information, and gender-specific information on athletic participation and financial support. Detailed information and corresponding reports are found online on the college website.

## COPYRIGHT INFORMATION

It is policy of the college district that employees and students must adhere to the United States Copyright Law (Title 17, United States Code) when using materials for instructional, institutional, or any other purpose.

## DISCLAIMERS, LAS POSITAS COLLEGE

### WEBSITE DISCLAIMER

The Chabot-Las Positas Community College District (CLPCCD) attempts to maintain the highest accuracy of content on its Web sites. Any errors or omissions should be reported for investigation.

CLPCCD makes no claims, promises, or guarantees about the absolute accuracy, completeness, or adequacy of the contents of this Web site and expressly disclaims liability for errors and omissions in the contents of this Web site. No warranty of any kind, implied, expressed, or statutory, including but not limited to the warranties of non-infringement of third-party rights, title, merchantability, fitness for a particular purpose, and freedom from computer virus, is given with respect to the contents of this Web site or its hyperlinks to other Internet resources. Reference in this Web site to any specific commercial products, processes, or services, or the use of any trade, firm, or corporation name is for the information and convenience of the public, and does not constitute endorsement, recommendation, or favoring by the CLPCCD or its employees or agents.

This Web site has links to sites that may be useful to the public and that may provide other services or information. When the user links to another Web site, which is not an authorized CLPCCD Web site, the user is no longer on a CLPCCD Web site. The CLPCCD disclaims any responsibility or liability for the services or information provided on non-CLPCCD Web sites.

### PHOTOGRAPHY DISCLAIMER

Chabot and Las Positas Colleges, being non-profit California Community Colleges, reserve the right to use photography and video images of students and visitors, age 18 and older, taken on our property and at college-sponsored events for marketing and promotional purposes. Objection to the use of an individual's photograph may be made in writing to the district office of marketing and public relations, addressed to:

Director, Public Relations, Marketing and Government Relations  
Chabot-Las Positas Community College District  
7600 Dublin Blvd., 3rd Floor  
Dublin, CA 94568

## DISTANCE EDUCATION

Las Positas College offers quality distance education to its students. Distance education allows students who work, raise families, are disabled, are environmentally conscious, or who otherwise cannot come to campus the ability to pursue their educational goals.

# COLLEGE POLICIES & PROCEDURES

## EQUAL OPPORTUNITY STATEMENT

Las Positas College is an equal opportunity action institution in its policies, procedures, and practices relating to access, admission, and employment in their programs, services, and activities. In compliance with federal law, Las Positas College does not discriminate on the basis of race, color, national origin, religion, sex, disability, age, citizenship status, and genetic information. In addition, California state law also prohibits discrimination on the basis of race, color, ancestry, national origin, religion, sex (including pregnancy, childbirth, and related medical conditions), disability (physical or mental), age, genetic information, marital status, sexual orientation, gender identify and gender expression, AIDS/HIV, medical condition, political activities or affiliations, military or veteran status, and status as a victim of domestic violence, assault, or stalking. Inquiries regarding equal opportunity non-discrimination policies and procedures that pertain to student matters should be directed to the Las Positas College, Vice President of Student Services by calling (925) 424-1405. All non-student matters (including employment matters) should be directed to the Vice Chancellor of Human Resources by calling (925) 485-5200.

## FAMILY EDUCATIONAL RIGHTS AND PRIVACY ACT (FERPA)

According to the U.S. Department of Education, FERPA “is a Federal law that protects the privacy of student education records. The law applies to all schools that receive funds under an applicable program of the U.S. Department of Education.” At Las Positas College, a person officially becomes a student upon receipt of an admission application to the college.

## FREE SPEECH

College procedures regarding time, place, and manner shall govern the exercise of free speech and related activities on the campus. The responsibility for maintaining conduct within the bounds of the law and compliance with the policies of the Chabot-Las Positas Community College District Board of Trustees shall be assumed by individuals, organizations, and the sponsoring organization’s officers and student organizations, advisors, and all organizational members. Restrictions on speech content shall extend no further than to restrain speech that is obscene, libelous, or presents a clear and present danger.

## HOUSING

Las Positas College does not provide dormitories or other types of college-sponsored housing.

## NET PRICE CALCULATOR

The California Community Colleges Chancellor’s Office, in conjunction with the federal government, has developed a Net Price Calculator to help students estimate the cost to attend Las Positas College based on residency and living arrangements. The estimated cost of attendance includes tuition, required fees, textbooks, supplies, and other related expenses. This

information is found on the college website at <https://misweb.cccco.edu/npc/481/npcalc.htm>.

## NOTICE OF NONDISCRIMINATION

The Chabot-Las Positas Community College District is committed to equal opportunity in educational programs, employment, and all access to institutional programs and activities. The District, and each individual who represents the District, shall provide access to its services, classes, and programs without regard to national origin, religion, age, gender, gender identity, gender expression, race or ethnicity, color, medical condition, genetic information, ancestry, sexual orientation, marital status, physical or mental disability, pregnancy, or because he/she is perceived to have one or more of the foregoing characteristics, or based on association with a person or group with one or more of these actual or perceived characteristics. Inquiries and complaints may also be made to the U.S. Department of Education, Office for Civil Rights, 50 United Nations Plaza, San Francisco, CA 94102, telephone (415) 486-5555, fax (415) 486-5570 or e-mail [OCR.SanFrancisco@ed.gov](mailto:OCR.SanFrancisco@ed.gov).

## DECLARACIÓN DE NO DISCRIMINACIÓN

(SPANISH STATEMENT)

Las Positas College, de acuerdo con las leyes civiles, declara que Las Positas College no discrimina hacia ninguna persona a base de su raza, color, nacionalidad, ascendencia, religión, creencia, sexo, edad o incapacidad, en sus programas y políticas de empleo y educación. El conocimiento limitado del idioma no limita acceso a programas y servicios ocupacionales. Cualquier pregunta sobre la aplicación de esta declaración puede dirigirse al U.S. Department of Education, Office for Civil Rights, 50 United Nations Plaza, San Francisco, CA 94102, teléfono (415) 486-5555, fax (415) 486-5570 o correo electrónico [OCR.SanFrancisco@ed.gov](mailto:OCR.SanFrancisco@ed.gov).

## OMBUDS

The Ombuds (also known as an “ombudsman” or “ombudsperson”) at Las Positas College will be an identified employee(s) who is committed to serve as a neutral and an impartial conflict resolution practitioner. The Ombuds will have no formal decision-making authority or disciplinary responsibilities. The Ombuds will serve as the initial point of contact for students who encounter challenges or difficulties while navigating the college environment and will be responsible for identifying the proper resource at the college. Furthermore, the Ombuds will facilitate the first connection or contact with the appropriate college entity or employee. The goal of the Ombuds is to ensure the rights and interests of all parties to the dispute are considered with the goal of achieving a fair outcome in accordance with applicable policies, procedures, laws, and regulations. The inability to achieve a fair outcome may result in the student being referred to the grievance or complaint process. For more information, please contact the Office of the Vice President of Student Services.



# COLLEGE POLICIES & PROCEDURES

## PROGRAMS ELIGIBLE FOR FINANCIAL AID

In order to be eligible for federal student aid, a student must be enrolled in an educational program that leads to an associate degree, transfers into a baccalaureate program, or prepares a student for gainful employment in an approved and recognized occupation. Students must either: (1) declare an Associate's Degree Program, or Associate's Degree with Transfer Program as their educational goal; or (2) be enrolled in a non-degree Certificate of Achievement Program of at least sixteen units and one year in length that is included and approved on the college's Program Participation Agreement with the U.S. Department of Education.

## STUDENT CONDUCT AND DUE PROCESS

In joining the academic community, the student enjoys the right of freedom to learn and shares the responsibility in exercising that freedom with other members of the academic community. It is the policy of the Chabot-Las Positas Community College District not to impose student discipline for acts occurring away from the college and not connected with college activities unless the student's conduct affects the function of the college. When a student is charged with violating the student conduct code (e.g., plagiarism, forgery, disruption, theft, etc.), the charge shall be processed in accordance with the policy and procedures in order to protect the student's rights and the college's interests. A student may be expelled, suspended, placed on probation, or given a lesser sanction, as deemed appropriate by the Dean of Student Services or designee. The Student Conduct Code is posted online on the college website and included in the college catalog.

## STUDENT GRIEVANCE PROCEDURES

Student Grievance Procedures have been developed to provide students with a prompt and equitable means of seeking an appropriate remedy for any alleged violation of rights and to ensure that each student is fully accorded due process. The Student Grievance Procedures and the Student Conduct and Due Process Procedures outline the process for seeking resolution, and develop the procedure for filing and processing complaints, including timelines and decision-making authority. Student Grievance information is found online on the college website and included in the college catalog.

## STUDENT RIGHT-TO-KNOW (INSTITUTIONAL DATA)

**Fall 2016 Cohort: Completion Rate: 44.11 % Transfer Rate: 14.62 %**

In compliance with the Student Right-to-Know and Campus Security Act of 1990 (Public Law 101-542), it is the policy of our college district to make available its completion and transfer rates to all current and prospective students. Beginning in Fall 2016, a cohort of all certificate-, degree-, and transfer-seeking first-time, full-time students were tracked over a three year period. Their completion and transfer rates are listed above. These rates do not represent the success rates of the entire student population at the College nor do they account for student outcomes occurring after this three year tracking period.

Based upon the cohort defined above, a Completer is a student who attained a certificate or degree or became 'transfer prepared' during a three year period, from Fall 2016 to Spring 2019. Students who have completed 60 transferable units with a GPA of 2.0 or better are considered 'transfer prepared'. Students who transferred to another post-secondary institution, prior to attaining a degree, certificate, or becoming 'transfer prepared' during a five semester period, from Spring 2017 to Spring 2019, are transfer students.

## VOTER REGISTRATION INFORMATION

The Chabot-Las Positas Community College District shall provide a good faith effort to distribute a mail voter registration form to each student enrolled in a degree or certificate program and physically in attendance at the institution. Forms are widely available to students at Las Positas College. Additional information is found on the college website and the online student portal.

# CAMPUS SAFETY & SECURITY

## ACCESS TO BUILDINGS

During business hours, the College and most campus buildings are open from 7:00 am to 11:00 pm. During non-business hours, access to all College facilities is by key or card key, if issued, or by admittance via the assistance of the Office of Campus Safety and Security. In the case of periods of extended closing, the College will admit only those with prior approval to all facilities. All students and employees are issued identification cards, which they may be asked to produce if there is any question about their authorization to be on College property.

## CAMPUS SAFETY

The Chabot-Las Positas Community College District is committed to a safe and secure work and learning environment. The Office of Campus Safety & Security prepares and annually updates a report of all occurrences reported to the Office of Campus Safety & Security of and arrests for crimes that are committed on-campus and that involve violence, hate violence, theft or destruction of property, sexual misconduct including sexual harassment, illegal drugs, alcohol intoxication, and of all occurrences of noncriminal acts of hate violence reported to campus authorities. Additional information and corresponding reports are found on the College website.

## COLLEGE PROPERTY

No College property may be removed from the campus without expressed permission from an administrator. Unauthorized removal of College property from the campus is a violation of the law and may be prosecuted by the College.

## CRIME PREVENTION

Crime prevention material is distributed by the Office Campus Safety and Security to the campus community. The Office of Campus Safety and Security makes inspections of facilities to ensure physical security design, presents programs to reduce risk from criminal acts, review plans and new construction additions to facilities to insure against design defects that could contribute to criminal acts, make preventative patrols of grounds, make necessary arrests and detentions, and interact with other law enforcement and investigative agencies to accomplish this task.

## DRUG FREE ENVIRONMENT AND PREVENTION PROGRAM

Las Positas College strives to maintain a drug-free and alcohol-free environment. College district policy states it prohibits, "the sale or knowing possession of dangerous drugs, restricted dangerous drugs, alcoholic beverages or narcotics as those terms are used in California statutes except when lawfully prescribed or permitted." Federal law also prohibits the use, sale, or possession of marijuana. Students may be arrested, suspended, expelled, placed on probation or given a lesser sanction for good cause and in accordance with College procedures consistent with due process for violations of the drug and alcohol policy. Students and employees will be informed of the health risks associated with the use of illicit drugs and the abuse of alcohol, and will be advised of the availability of drug and alcohol counseling, treatment, and rehabilitation.

## EMERGENCY CALL BOXES

Emergency call boxes are also located in several parking lots,

on the campus perimeter road, and near the Student Services & Administration Building. In the event of an emergency, push the button on the emergency call box and the on-duty campus security officer is notified of your location. The emergency call box has a feature which allows the caller to speak directly to the campus safety officer. Outside the entrance to the Office of Campus Safety and Security there is an emergency auto-dialer. In the case of an emergency and the office is locked, please push the button on the auto-dialer. The auto-dialer will contact the on-duty campus safety officer.

## EMERGENCY NOTIFICATION

The Las Positas College Office of Campus Safety and Security is committed to ensuring that our campus community receives timely, accurate, and useful information in the event of a significant emergency or dangerous situation on campus or in the local area that poses an immediate threat to the health and safety of campus community members. Las Positas College uses the emergency notification system "Everbridge" which is an emergency notification service that proactively contacts students, staff, and faculty at their District assigned e-mail accounts. Everbridge can be used to send emergency messages within minutes of the occurrence of an incident. Messages are sent by multiple methods to contact information listed in the campus directory as well as confidential contact information registered by users. The system can send simultaneous messages to the college community by e-mail message and SMS text. Campus community members can contact the Office of Campus Safety and Security to update or change their contact information and are encouraged to list "SMS Text" as their primary contact method.

## EMERGENCY PROCEDURES

Las Positas College Office of Campus Safety and Security personnel are available twenty-four (24) hours a day, seven (7) days per week. Persons are encouraged to report any criminal activity or any other emergency by calling the Office of Campus Safety and Security by calling (925) 424-1699 or visiting the Office of Campus Safety and Security located in Building 1700. If the Office of Campus Safety and Security is closed, the on-duty campus safety officer can be contacted by telephone in the following ways:

- On-campus telephone, dial extension 1690 (non-emergency)
- On-campus telephone, dial extension 1699 (emergency)
- Off-campus telephone, dial (925) 424-1000 until 6:30 p.m.

## LOST AND FOUND

The Office of Campus Safety & Security takes great pride in returning lost and found property to their rightful owners. All property found on-campus should be brought to the Office of Campus Safety and Security located in Building 1700 to be recorded. All found property is held for and disposed of in the manner prescribed by law.

## PARKING

Parking on-campus is a privilege extended by the Chabot-Las Positas Community College District Board of Trustees to the faculty, staff, students, and guests. To ensure safety and the efficient use of available parking spaces, parking rules and

# CAMPUS SAFETY & SECURITY

regulations adopted by the Board of Trustees are enforced all year. Tickets will be issued for violators. Drivers using College parking lots shall comply with the rules and regulations adopted by the Board of Trustees pursuant to California Vehicle Code, Section 21113. Failure to comply with the parking rules and regulations may result in disciplinary action, the issuance of a parking citation, loss of parking privileges, and/or cause the vehicle to be towed at the owner's expense. Parking at Las Positas College is by permit only.

## PARKING PERMITS

Parking at Las Positas College is by permit only. Full-term parking permits may be purchased online via CLASS-Web. Daily parking permits may be purchased from parking permit dispensers located in the parking lots. All students and guests must purchase a parking permit for each day. Take notice that certain parking spaces are reserved for College employees and College vehicles. These parking spaces are clearly marked in front of the parking stall. Vehicles parked in a staff or other reserved space without the proper permit will be cited. All vehicles shall be parked clearly within designated parking stalls between the white lines and head-in only. Do not back in or drive through.

## PETS ON CAMPUS

No animals and/or pets of any kind or description are allowed within the boundaries of the college. This restriction also applies to animals and/or pets confined to any vehicle parked within the college boundaries. This policy does not apply to the use of a guide dog, signal dog, or service dog specially trained for assisting a person with a disability.

## SAFETY ESCORT SERVICES

The Office of Campus Safety and Security offers escorts to the campus community to and from the parking lots. To arrange to have an escort accompany you from your classroom or office to your vehicle by dialing (925) 424-1690, or from any College telephone by dialing extension 1690, or by activating a nearby emergency callbox.

## SEX OFFENDER REGISTRY

California law requires sex offenders who are employed, volunteer, are a resident of, or enrolled as a student at an institution of higher education, to register with the Livermore Police Department located at 1110 South Livermore Avenue, Livermore, CA 94550. To search the database of registered sex offenders in California by name or geography, check the Megan's Law website at <https://www.meganslaw.ca.gov/> or information concerning registered sex offenders can be obtained from the Livermore Police Department.

## SMOKING ON CAMPUS

Smoking is allowed only within designated smoking areas and is prohibited within 20 feet of a main exit, entrance, or operable window of any campus or District building. Smoking is prohibited inside any indoor area of any campus or District building and inside any District-owned or leased vehicles. Smoking is prohibited in any enclosed place of employment on-campus, including lobbies, lounges, waiting areas, stairwells, and restrooms that are a structural part of any building that is a place of employment. This also applies to electronic cigarettes or other imitation smoking devices.

## STATEMENT FOR NON-SWORN OFFICERS

The Chabot-Las Positas Community College District employs security officers with training specific to campus security.

## STATEMENT OF ENFORCEMENT AUTHORITY

The campus safety officer meets the legal definition of a security officer because of appointment pursuant to the California Education Code, Section 70902. The campus safety officer is not a peace officer, but Sections 626 and 627 of the California Penal Code provide special authority for school security officers to make an arrest if the perpetrator fails to leave the College grounds after being directed to do so. In addition to this authority, campus safety officers can arrest for any misdemeanor or felony committed within their presence, but must use section 837 of the California Penal Code – arrest by a private person – to accomplish the arrest. Campus safety officers derive additional authority from Section 21113(a) of the California Vehicle Code. This section covers parking on school property. Officers can issue citations for violations of District Parking Regulations using this section.

## TIMELY WARNING

In an effort to provide timely notice to the campus community in the event of a Clery Act crime that may pose a serious or on-going threat to members of the community, Las Positas College Office of Campus Safety and Security will issue out a "Timely Warning." The Office of Campus Safety and Security will generally issue these warnings for the following crimes: criminal homicide; sexual assaults; robbery; aggravated assault; arson; burglary; and hate crimes. The Office of Campus Safety and Security will post these warnings through a variety of ways including, but not limited to, e-mail messages, posters or bulletins, and class discussions. The purpose of these warnings is to notify the campus community of the incident and to provide information that may enable community members to protect themselves from similar incidents. The Office of Campus Safety and Security will issue these warnings whenever the following criteria are met:

1. A crime is committed;
2. The perpetrator has not been apprehended; and
3. There is a substantial and on-going risk to the physical safety of other members of the campus community because of this crime.

Such crimes include, but are not limited to: Clery Act crimes that are reported to any campus security authority or the local police; or when the college determines that the incident represents an on-going threat to the campus community. Additionally, the Office of Campus Safety and Security may, in some circumstances, issue warnings when there is a pattern of crimes against persons or property. The Campus Safety Supervisor or designee will generally make the determination, in consultation with the President, if a warning is required. However, in emergency situations, any Campus Safety Officer may authorize a Clery Timely Warning. For incidents involving off-campus crimes, the college may issue a Crime Advisory if the crime occurred in a location used and frequented by the college population. Clery Timely Warnings are sent out to the



# CAMPUS SAFETY & SECURITY

campus community via the Everbridge system. If you have an official Las Positas College e-mail address, you are automatically enrolled in the crime alert notification system. These messages are a very effective way to share important information with the campus community about safety.

## TITLE IX

Title IX of the Educational Amendments of 1972 is an all-encompassing federal law that prohibits discrimination based on the gender of students and employees of educational institutions which receive federal financial assistance. Under Title IX, discrimination on the basis of sex can include sexual harassment, rape, and sexual assault. Colleges and universities that receive federal financial assistance may be held legally responsible when it knows about and ignores sexual harassment or assault in its programs or activities. Colleges and universities may be held responsible in court whether the harassment is committed by a College employee or student. Title IX related concerns and complaints of possible violations of Title IX should be reported to the Vice President of Student Services or designee.

## WEAPONS POLICY

Firearms, knives, explosives or other dangerous chemicals or objects, including, but not limited to, any facsimile firearm, knife or explosive, are prohibited on College property and all College-sponsored functions at all times. All weapons are prohibited at Las Positas College. Except for sworn law enforcement officials, it is a felony to bring or possess any firearm on any California

school campus per California Penal Code, Section 626.9. It is also a felony to possess any air gun, including pellet and BB guns that utilizes air, CO<sub>2</sub>, or spring pressure to propel a metallic projectile; knives with a blade length of over 2.5 inches, dirks, daggers, and ice picks are also illegal per California Penal Code, Section 626.10. Any person may be arrested, expelled, suspended, placed on probation or given a lesser sanction for good cause and in accordance with College procedures consistent with due process for violations of the weapons policy.

## CRIME STATISTICS / CLERY ACT DISCLOSURE / ANNUAL SECURITY REPORT (ASR)

The Office of Campus Safety and Security prepares a report to comply with the Jeanne Clery Disclosure of Campus Security Policy and Crime Statistics Act. Crime statistics may be found online at [www.laspositascollege.edu/safety/statistics.php](http://www.laspositascollege.edu/safety/statistics.php). The full text of this report may be found online at [www.laspositascollege.edu/safety/documents/clery.pdf](http://www.laspositascollege.edu/safety/documents/clery.pdf). The report is prepared in cooperation with the local law enforcement agencies. Campus crime, arrest, and referral statistics include those reported to the Office of Campus Safety and Security, designated campus officials including, but not limited to, administrators, faculty, classified professionals, advisors to students and student organizations, athletic coaches, and local law enforcement agencies.

**Clery Act Statistics  
Las Positas Community College  
2016 – 2018**

20 U.S.C. 1092 H (Crimes)	2016			2017			2018		
	On Campus Property	Non Campus Property	Public Property	On Campus Property	Non Campus Property	Public Property	On Campus Property	Non Campus Property	Public Property
<b>Criminal Offenses</b>									
Murder/Non-negligent Manslaughter	0	0	0	0	0	0	0	0	0
Negligent Manslaughter	0	0	0	0	0	0	0	0	0
Rape	0	0	0	1	0	0	0	0	0
Fondling	0	0	0	5	0	0	1	0	0
Incest	0	0	0	0	0	0	0	0	0
Statutory Rape	0	0	0	0	0	0	0	0	0
Robbery	0	0	0	0	0	0	1	0	0
Aggravated Assault	0	0	0	1	0	0	0	0	0
Burglary	1	0	0	0	0	0	2	0	0
Motor Vehicle Theft	2	0	0	0	0	0	0	0	0
Arson	0	0	0	0	0	0	0	0	0
Domestic Violence	0	0	0	0	0	0	0	0	0
Dating Violence	2	1	0	0	0	0	0	0	0
Stalking	0	0	0	0	0	0	0	0	0
<b>Bias Crimes</b>									
Disability	0	0	0	0	0	0	0	0	0
Ethnicity	0	0	0	0	0	0	0	0	0
Gender	0	0	0	0	0	0	0	0	0
Race	0	0	0	0	0	0	0	0	0
Religion	0	0	0	0	0	0	0	0	0
Sexual Orientation	0	0	0	0	0	0	0	0	0
<b>Arrests</b>									
Weapons Violations	0	0	0	0	0	0	1	0	0
Drug Law Violations	0	1	0	0	0	0	0	0	0
Liquor Law Violations	0	0	0	1	0	0	0	0	0
<b>Disciplinary Referrals</b>									
Weapons Violations	0	0	0	0	0	0	0	0	0
Drug Law Violations	1	0	0	1	0	0	0	0	0
Liquor Law Violations	2	0	0	1	0	0	0	0	0

# PARKING PERMITS AVAILABLE ONLINE



## 1. Before purchasing a permit you will need the following information:

- ✓ Student ID Number (W or Social Security)
- ✓ Vehicle license plate number
- ✓ Make, model, color of vehicle
- ✓ Access to a printer (to print a temporary permit)

## 2. To purchase a permit:

- Log into CLASS-Web, go to "Student Services"
- Click on "Order or Activate a Parking Permit"
- Continue by following the on-screen instructions
- Access to a printer (to print a temporary permit)

## 3. After purchasing a permit:

- Print your temporary permit by clicking "Order a Parking Permit", then "Print a Temporary Permit"
- Your parking permit will be mailed to the address you provided within 10 days of payment.

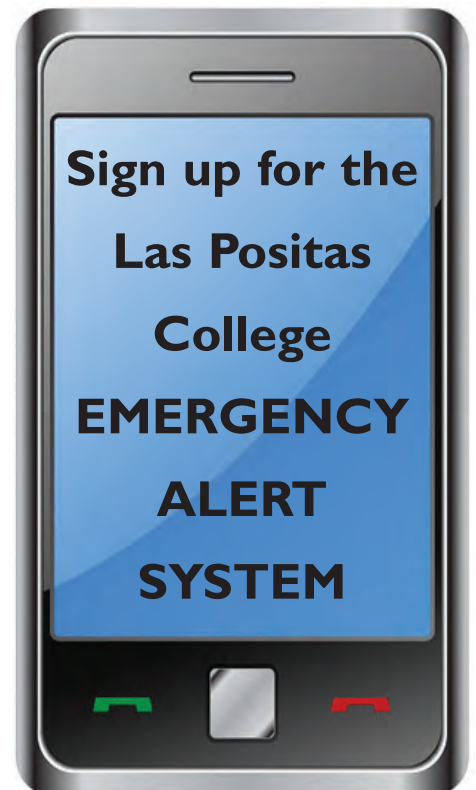
**You must have a parking permit properly displayed on your vehicle to park on campus. If you do not have a valid semester permit, daily permits are available for \$3.00 - look for the parking permit machines on the light poles in the parking lots.**

## Don't Be The Last To Know!

Everbridge is the emergency alert system used to deliver timely and necessary emergency alerts.

To receive these alerts, students, faculty and staff can sign up as follows:

- Sign into CLASS-Web using your W ID Number and PIN.
- Click on the Personal Information tab.
- Click on 'Update Emergency Text-Authorized Cell Phone Number'.
- Enter your cell phone number to be used and click Submit.
- To opt out - after first message received, reply STOP.



# LAS POSITAS COLLEGE BOOKSTORE

HAS EVERYTHING YOU NEED TO HAVE THE BEST YEAR EVER!

## Affordable Text Options

- Rental
- Used
- Price Match Guarantee

## Las Positas Merch

- Clothing
- Gifts

## Convenience Items

- Testing Materials
- Campus Print Cards
- Snacks
- Headphones

**Las Positas College Bookstore**  
Building 1300  
(925) 424-1812 | [LPCStore.com](http://LPCStore.com)

\*Over 10% of our sales go back to Las Positas College to support student success\*

## LAS POSITAS COLLEGE Transit Pass

**Your Las Positas College  
ID is your bus pass!**

- Ride all Wheels and Rapid routes
- Connects to Dublin/Pleasanton BART, the Livermore Labs, and the Livermore Transit Center
- Rapid Route 30R comes to campus every 15 minutes
- Free Wi-Fi, upgraded seating, and phone charging outlets

Livermore Amador Valley  
TRANSIT AUTHORITY



*Think of all  
your extra time...*



[wheelsbus.com](http://wheelsbus.com) | (925) 455-7500



# CAMPUS DIRECTORY

<b>Admission &amp; Records</b>	424-1500	<b>Integrated Learning Center (ILC)</b>	424-1310
<i>Building 1600, Room 1670</i>		<i>Building 600, Room 601</i>	
<b>Assessment Center (Testing)</b>	424-1475	<b>International Student Program</b>	424-1540
<i>Building 1600, Room 1642</i>		<i>Building 1600, Room 1658</i>	
<b>Athletics</b>	424-1274	<b>Library</b>	424-1151
<i>Building 2500, Room PE116</i>		<i>Building 2000</i>	
<b>Bookstore</b>	424-1812	<b>Math Learning Center</b>	424-1310
<i>Building 1300, Room 1300</i>		<i>Building 600, Room 601</i>	
<b>Cafeteria</b>	424-1849	<b>Ombuds</b>	424-1406
<i>Building 1600, Room 1620</i>		<i>Building 1600, Room 1669</i>	
<b>CalWORKs</b>	424-1459	<b>Outreach</b>	424-1407
<i>Building 1600, Room 1668</i>		<i>Building 1600, Room 1643</i>	
<b>Campus Safety &amp; Security</b>	424-1690	<b>Puente</b>	424-1414
<i>Building 1700, Room 1725</i>		<i>Building 1000, Room 1018</i>	
<b>CARE Program</b>	424-1598	<b>Reading and Writing Center (RAW)</b>	424-1450
<i>Building 1600, Room 1668A</i>		<i>Building 2400, Room 2401, Office D</i>	
<b>Career Center</b>	424-1487	<b>Student Government</b>	424-1490
<i>Building 1600, Room 1604</i>		<i>Building 1600, Room 1643</i>	
<b>Cashier's Office</b>	424-1500	<b>Student Health &amp; Wellness Center</b>	424-1830
<i>Building 1600, Room 1670</i>		<i>Building 1700, Room 1701</i>	
<b>Child Development Center</b>	424-1560	<b>Student Life</b>	424-1496
<i>Building 2300</i>		<i>Building 1600, Room 1643</i>	
<b>Community Education</b>	424-1467	<b>Transfer Center</b>	424-1423
<i>Building 1600, Room 1663</i>		<i>Building 1600, Room 1604</i>	
<b>Computer Center</b>	424-1144	<b>Tutorial Center</b>	424-1450
<i>Building 800, Room 803</i>		<i>Building 2400, Room 2401</i>	
<b>Concurrent Enrollment</b>	424-1500	<b>UMOJA</b>	424-1437
<i>Building 1600, Room 1670</i>		<i>Building 1000, Room 1018</i>	
<b>Counseling</b>	424-1400	<b>Veterans First Program</b>	424-1570
<i>Building 1600, Room 1616</i>		<i>Building 1300, Room 1310</i>	
<b>Disabled Student Programs &amp; Services (DSPS)</b>	424-1510		
<i>Building 1600, Room 1615</i>			
<b>Engineering Technology</b>	424-1254		
<i>Building 1800, Room 1825</i>			
<b>Extended Opportunity Programs &amp; Services (EOPS)</b>	424-1598		
<i>Building 1600, Room 1668</i>			
<b>Financial Aid &amp; Scholarships</b>	424-1580		
<i>Building 1600, Room 1650</i>			
<b>Information Desk</b>	424-1000		
<i>Building 1600, Room 1630</i>			

## OFF-CAMPUS INSTRUCTIONAL SITES

Amador Valley High School 1155 Santa Rita Road Pleasanton, CA 94566	Livermore Adult Education School 1401 Almond Avenue #A Livermore, CA 94550
Dublin High School 8151 Village Parkway Dublin, CA 94568	Tri-Valley Golf Center 1780 Freisman Road Pleasanton, CA 94588
Leo R. Croce Elementary School 5650 Scenic Avenue Livermore, CA 94551	Village High School 4645 Bernal Avenue Pleasanton, CA 94566

# LAS POSITAS COLLEGE CAMPUS MAP

3000 Campus Hill Drive, Livermore, CA 94551 • [www.laspositascollege.edu](http://www.laspositascollege.edu)

## KEY TO BUILDINGS

100	Classrooms
400	English Classrooms & Lab
500	Fine Arts
600	Classrooms, ILC (Integrated Learning Center), Open Math Lab
600 A/B	Fire Service Technology Training
700	Visual Communications, Photography Studio, Computer Lab
800	Lecture Hall, Computer Labs, Auto & Welding Labs, Smog Referee Center, Horticulture Viticulture, Garden Classrooms, Greenhouse
1000	Classroom Building
1100	Central Utility Plant
1300	Bookstore
1310	Veterans Resource Center
1600	Student Services & Administration Building
1689	Academic Services, Vice President's Office
1670	Administrative Services, Vice President's Office
1642	Admissions & Records
1620	Assessment Center
1620	Cafeteria
1604	Career/Transfer Center
1663	Community Education
1616	Counseling Center
1615	DSPS/High Tech Center
1668	EOPS, CARE, CALLWORKS
1650	Financial Aid
1658	International Student Program
1672	Online Service Center
1680	President's Office
1643	Student Government
1669	Student Services, Vice President's Office
1643	Welcome Center/Student Life Office
1700	Campus Safety, Student Health Center, Copy Center, Mail Room
1800	Science Technology Center 1
1850	Science Technology Center 2
1900	Information Technology Services (ITS)
2000	Library (Learning Resource Center)
2100	Faculty Offices
2200	Classrooms
2300	Child Development Center
2400	Multi-Disciplinary Education Building
2401	Tutorial Center
2420	Lecture Hall
2500	Physical Education Complex (Gym)
2600	Aquatic Center
2700	Campus Hill Vineyard
3000	Maintenance & Operations Building
3100	Maintenance & Operations Building
3200	Field House
4000	Merces Center for the Arts
	4119 Main Theater
	4128 Black-Box Theater



# FALL 2020 FINAL EXAM SCHEDULE

Fall 2020 final examinations for full-term classes will be held December 12 - December 18, 2020. Your final exam might not always occur at the same time as your class. Please carefully check the chart below to determine the time and day of your final exam. This final exam schedule applies to full-term classes only.

The first hour and the first day of the week that day classes meet determines placement of the final exam. In determining the examination time for lecture-laboratory classes and lecture-discussion courses, the lecture period determines the time. For stand-alone lab course (with its own CRN Number), a two-hour final examination will be given during final examination week. The first hour and the day of the week that the laboratory class meets will determine the placement of the class in the schedule below. If you have a question about when and where your final exam will take place, please contact your instructor.

## Day Classes (Classes beginning before 4:00pm)

Start Time and Days of Regular Class Meeting		Time and Day of Final Examination		
<b><i>Predominantly Monday/Wednesday</i></b>				
7:30am, 8:00am	MTWTh, MTWF, MWThF, MTThF, MWF, MT, MW, MTh, MF, WF, M	7:30–9:20am	Wednesday	Dec 16
8:30am, 9:00am	MTWTh, MTWF, MWThF, MTThF, MWF, MT, MW, MTh, MF, WF, M	7:30–9:20am	Monday	Dec 14
9:30am, 10am	MTWTh, MTWF, MWThF, MTThF, MWF, MT, MW, MTh, MF, WF, M	9:30–11:20am	Wednesday	Dec 16
10:30am, 11am	MTWTh, MTWF, MWThF, MTThF, MWF, MT, MW, MTh, MF, WF, M	9:30–11:20am	Monday	Dec 14
11:30am, 12:00 noon	MTWTh, MTWF, MWThF, MTThF, MWF, MT, MW, MTh, MF, WF, M	11:30am–1:20pm	Wednesday	Dec 16
12:30pm, 1:00pm	MTWTh, MTWF, MWThF, MTThF, MWF, MT, MW, MTh, MF, WF, M	11:30am–1:20pm	Monday	Dec 14
1:30pm, 2:00pm	MTWTh, MTWF, MWThF, MTThF, MWF, MT, MW, MTh, MF, WF, M	1:30–3:20pm	Wednesday	Dec 16
2:30pm, 3:00pm	MTWTh, MTWF, MWThF, MTThF, MWF, MT, MW, MTh, MF, WF, M	1:30–3:20pm	Monday	Dec 14
3:30pm	MTWTh, MTWF, MWThF, MTThF, MWF, MT, MW, MTh, MF, WF, M	3:30–5:20pm	Wednesday	Dec 16
<b><i>Predominantly Tuesday/Thursday</i></b>				
7:30am, 8:00am	TWTh, TW, TTh, TF, ThF, WTh, T, TWThF, MTTh, TThF	7:30–9:20am	Thursday	Dec 17
8:30am, 9:00am	TWTh, TW, TTh, TF, ThF, WTh, T, TWThF, MTTh, TThF	7:30–9:20am	Tuesday	Dec 15
9:30am, 10:00am	TWTh, TW, TTh, TF, ThF, WTh, T, TWThF, MTTh, TThF	9:30–11:20am	Thursday	Dec 17
10:30am, 11:00am	TWTh, TW, TTh, TF, ThF, WTh, T, TWThF, MTTh, TThF	9:30–11:20am	Tuesday	Dec 15
11:30am, 12:00 noon	TWTh, TW, TTh, TF, ThF, WTh, T, TWThF, MTTh, TThF	11:30am–1:20pm	Thursday	Dec 17
12:30pm, 1:00pm	TWTh, TW, TTh, TF, ThF, WTh, T, TWThF, MTTh, TThF	11:30am–1:20pm	Tuesday	Dec 15
1:30pm, 2:00pm	TWTh, TW, TTh, TF, ThF, WTh, T, TWThF, MTTh, TThF	1:30–3:20pm	Thursday	Dec 17
2:30pm, 3:00pm	TWTh, TW, TTh, TF, ThF, WTh, T, TWThF, MTTh, TThF	1:30–3:20pm	Tuesday	Dec 15
3:30pm	TWTh, TW, TTh, TF, ThF, WTh, T, TWThF, MTTh, TThF	3:30–5:20pm	Thursday	Dec 17



# FALL 2020 FINAL EXAM SCHEDULE

## Classes starting before 7:30am, or classes meeting W, Th, or F only before 4:00pm

Start Time and Days of Regular Class Meeting		Time and Day of Final Examination		
5:30am, 6:00am	Daily	Regular class time	Friday	Dec 18
6:45am, 7:00am, 7:30am, 8:00am, 8:30am, 9:00am	Before 7:30, or W, Th, F only before 4pm	7:30–9:20am	Friday	Dec 18
9:30am, 10:00am, 10:30am, 11:00am	Before 7:30, or W, Th, F only before 4pm	9:30–11:20am	Friday	Dec 18
11:30am, 12:00 noon, 12:30pm 1:00pm	Before 7:30, or W, Th, F only before 4pm	11:30am–1:20pm	Friday	Dec 18
1:30pm, 2:00pm, 2:30pm, 3:00pm	Before 7:30, or W, Th, F only before 4pm	1:30–3:20pm	Friday	Dec 18
3:30pm	Before 7:30, or W, Th, F only before 4pm	3:30–5:20pm	Friday	Dec 18

## Classes that meet “By Arrangement”

Start Time and Days of Regular Class Meeting		Time and Day of Final Examination		
By Arrangement	All classes that meet “By Arrangement”	3:30–5:20pm	Friday	Dec 18

## Classes meeting on or after 4:00pm

Start Time and Days of Regular Class Meeting		Time and Day of Final Examination		
4:00pm and ending by 7:30pm	MW, or Monday Only	5:30pm–7:20pm	Wednesday	Dec 16
4:00pm and ending by 7:30pm	TTh, or Tuesday Only	5:30pm–7:20pm	Thursday	Dec 17
4:00pm and ending by 7:30pm	Wednesday only	5:30pm–7:20pm	Monday	Dec 14
4:00pm and ending by 7:30pm	Thursday only	5:30pm–7:20pm	Tuesday	Dec 15
4:00pm and ending by 7:30pm	Friday only	5:30pm–7:20pm	Friday	Dec 18
6:30pm or after	MW, or Monday only	7:30pm–9:20pm	Wednesday	Dec 16
6:30pm or after	TTh, or Tuesday only	7:30pm–9:20pm	Thursday	Dec 17
6:30pm or after	Wednesday only	7:30pm–9:20pm	Monday	Dec 14
6:30pm or after	Thursday only	7:30pm–9:20pm	Tuesday	Dec 15
6:30pm or after	Friday only	7:30pm–9:20pm	Friday	Dec 18

**Weekend Classes:** All Saturday classes have their finals in their regular room at the regular class time scheduled on Saturday, December 12, 2020.

**Fast Track and Late Start Classes:** Final exams held during the last 2 hours of the last class meeting.

**Online Classes:** Consult your instructor for final exam information.

NOTE: This information is subject to change. Please find the most updated information online.

# USE YOUR ZONEMAIL!

Stay Connected. Check your Zonemail Regularly.

## Check Zonemail Regularly For:

- Critical deadlines and information from Financial Aid, Admissions, Counseling, Transfer Center and many more departments and programs
- Class information and announcements from instructors
- Online Canvas course messages
- Campus events, college hour activities, and scholarship announcements, etc.
- College-wide announcements about campus operations

## Use Your Zonemail To:

- Submit official forms and documents to all college programs and services.
- Communicate directly with faculty, counselors and other college personnel
- Complete your Financial Aid required documents

## Benefits of Zonemail:

- Zonemail is Gmail, therefore, you will get all the benefits of Gmail and:
- Access to Google Drive, Docs, Forms, Sheets, Slides and more;
- Unlimited cloud storage



**FOR OFFICIAL COLLEGE COMMUNICATIONS PLEASE USE ZONEMAIL ONLY.**

**USE YOUR LAS POSITAS COLLEGE ZONEMAIL:** [www.laspositascollege.edu/ZoneInfo/index.php](http://www.laspositascollege.edu/ZoneInfo/index.php)

**NEED HELP? ASK THE HELPZONE!** Call (925) 424-1710 or send email to [helpzone@clpccd.org](mailto:helpzone@clpccd.org)



Chabot-Las Positas Community College District  
7600 Dublin Blvd., 3rd Floor Dublin, CA 94568  
[www.clpccd.org](http://www.clpccd.org)

# TRANSFER

## TRANSFER TO A 4-YEAR UNIVERSITY OR COLLEGE

Complete your lower division coursework at Las Positas College and you are guaranteed transfer admission to more than thirty colleges and universities, including six University of California and 10 California State University campuses.

Statewide  
37.93%

LPC  
46.67%

LPC has one of the highest transfer rates in the state.



Major: A.A.T Sociology

Fiona Teramu- Transferred to SFSU  
Graduated with Bachelors in Sociology

## STUDENT HIGHLIGHT

As a Veteran in the United States Marine Corps, Fiona Teramu, has graduated from Las Positas College with her Associate in Arts in Sociology for Transfer. After transferring to San Francisco State University, she completed her Bachelors in Sociology. Currently she is working as a Veteran Service Representative for the San Joaquin County Veterans Services.

*"I chose LPC because of the location and the public transportation available to get to school with a fantastic Veteran First Program on campus that helps out veterans and the resources available to*

*support my success. I would encourage other veterans to attend because there are great resources available on campus for veterans. LPC is a vet-friendly campus with supportive staff that wants to help."*

# CAREER EDUCATION



Currently a Mechanical Technologist at LLNL

Marylou Manzo-  
Major: Engineering Technology

## STUDENT HIGHLIGHT

Marylou completed her coursework at Las Positas College in 2017 with an Associate of Science in Engineering Technology, Mechanical Engineering. She is currently working as a Mechanical Technologist for Lawrence Livermore National Laboratory.

*"I chose LPC through a recommendation. I was told it was very open in the sense of community, and I don't regret my choice in choosing this college. I've made quite a few lifetime memories with people that attended there and have learned so much through my coursework. Don't be afraid to take that leap of faith. Even if it goes against what others tell you, only you are in charge of your life and your choices. Do what makes you happy."*

## CAREER EDUCATION PROGRAMS

Las Positas College offers cutting-edge, rigorous, and relevant career and technical education that prepares our students for a wide range of high-wage, high-skill, and high-demand careers. LPC has more than 30 career and technical programs.

BY 2020

65%

of job openings in the U.S. will require some postsecondary education or training—though not necessarily a four-year degree.

Reference: Georgetown Center on Education and Workforce Analysis





3000 Campus Hill Drive  
Livermore, CA 94551-7623  
Tel: 925.424.1500  
[www.laspositascollege.edu](http://www.laspositascollege.edu)

NON PROFIT ORG.  
U.S. POSTAGE  
**PAID**  
LIVERMORE, CA  
PERMIT NO. 116

ECRWSS

## RESIDENTIAL CUSTOMER

### LPC ATHLETICS PROGRAM

Las Positas College Athletics supports student athletes and empowers them to achieve their academic and athletic goals. The program provides equitable athletic opportunities that enhance student leadership skills, team work, hard work, accountability and symmetry.

**MISSION STATEMENT:**

The mission of the Athletic Department is to provide exceptional opportunities to students interested in competing in intercollegiate athletics, and to promote success both on and off the court/field through intercollegiate participation. The Athletic Department will assist student-athletes in developing the knowledge and skills to help them pursue their educational, career, athletic and personal goals.

